

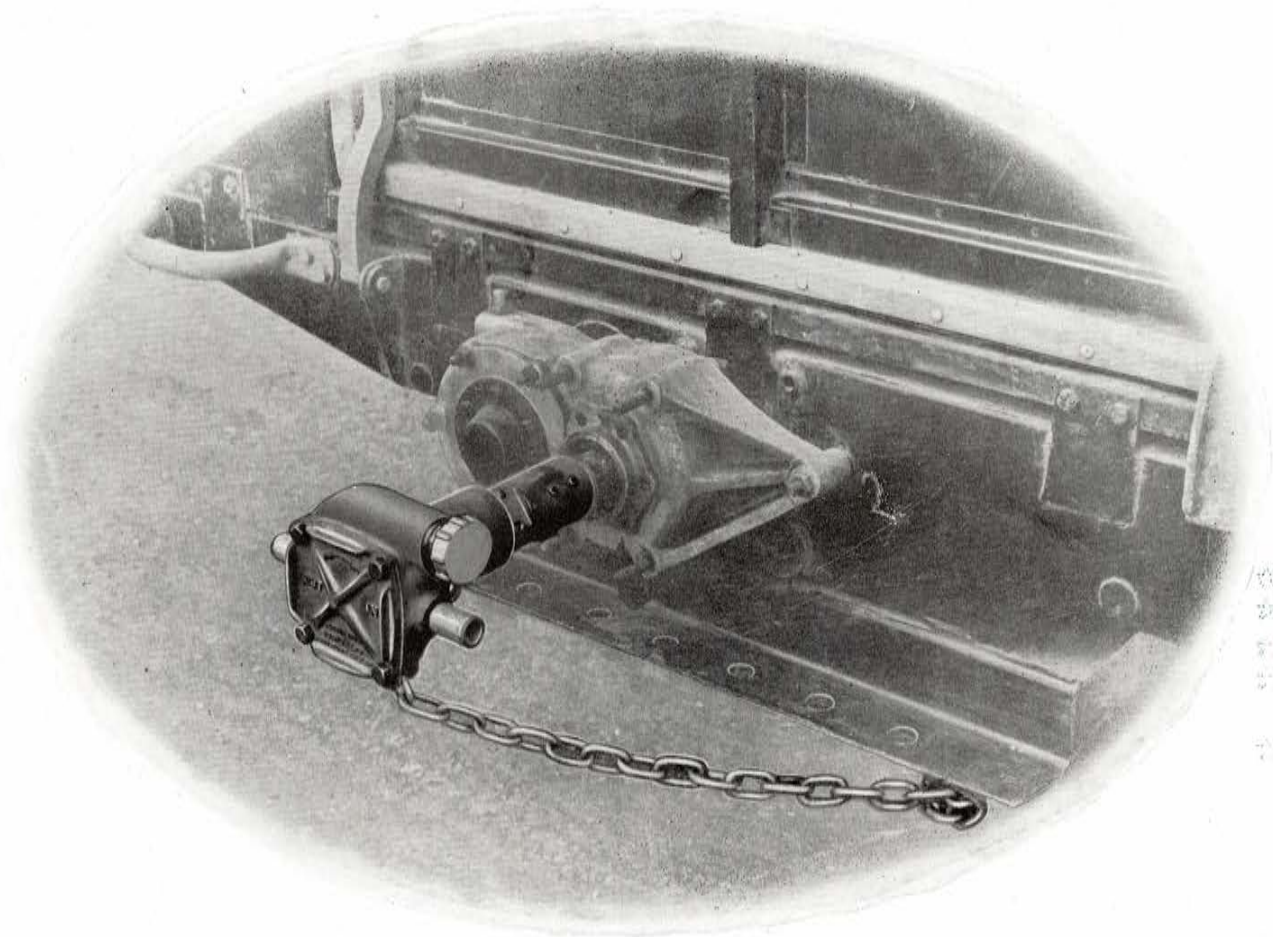
As approved by the Rover
Co. Ltd. for use with the

AUTOMETRIC

Nylon Roller Vane Pump



- ★ QUICK FITTING TO LAND ROVER OR TRACTOR P.T.O. SHAFT
- ★ QUICK PRESSURE CONTROL
- ★ EASY MAINTENANCE



- ★ PRESSURES UP TO 80 P.S.I. AT 540 R.P.M.
- ★ SELF PRIMING
- ★ OUTPUT 360 GALLONS PER HOUR
- ★ ROBUST & PORTABLE

Manufactured by **AUTOMETRIC PUMPS LTD.**
WATERSIDE · MAIDSTONE · KENT · ENGLAND

Telephone : Maidstone 4728.

Cables & Grams : AUTOMETRIC Maidstone.

Codes : Bentley's Complete and Second Phrase.

LRI

SPECIFICATION & DETAILS OF THE RS50/HV

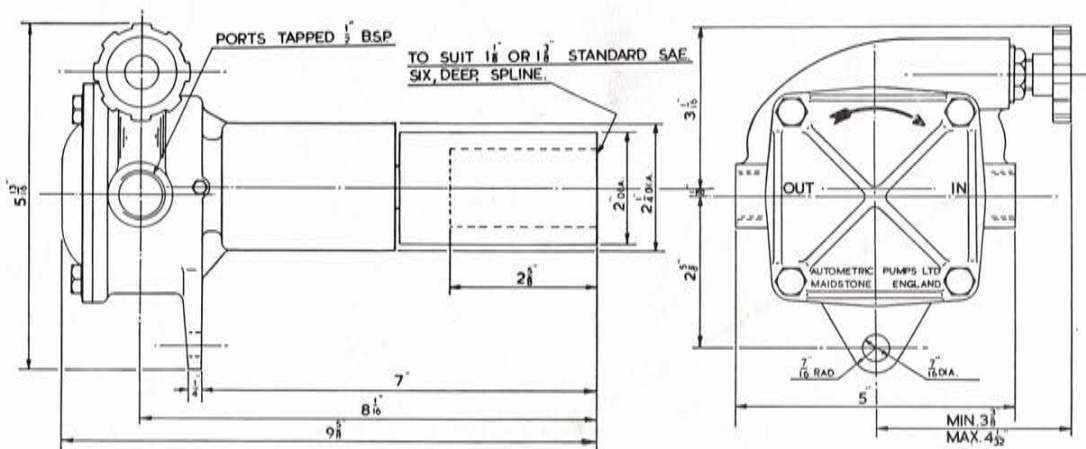
AUTOMETRIC Nylon Roller Vane Pump with Handwheel Pressure Control

EMERGENCY FIREFIGHTING

WASHDOWN-TRACTOR, LORRY, CAR, EQUIPMENT AND BUILDINGS

SPRAYING - CATTLE, WEEDS, CROPS AND FRUIT

HIGH OR LOW PRESSURE BY HAND WHEEL CONTROL



DIMENSIONS OF THE RS50/HV UNIT.

- ★ BRONZE CASING AND ROTOR.
- ★ STAINLESS STEEL SHAFT.
- ★ DOUBLE SEALED LIFE LUBRICATED BALL AND ROLLER BEARINGS.
- ★ SLIP ON COUPLING TO P.T.O. SHAFT.
- ★ SUPPLIED COMPLETE WITH COUPLING, ADAPTOR SLEEVE, FILTER, NOZZLE, TORQUE CHAIN, 10ft. OF 3/4" SUCTION PIPE AND 20ft. OF 1/2" DELIVERY PIPE.
- ★ NYLON COVERED ROLLER VANES.
- ★ PRESSURE RELIEVED SEALS.
- ★ READY INTERNAL INSPECTION OF PUMP CHAMBER—SIMPLY RELEASE FOUR SET SCREWS TO REMOVE FRONT COVER.

PARTS LIST

Description of Parts	Part No.	Description of Parts	Part No.
ROTOR & KEY	C2013/A 15-3	COUPLING SCREW	B2813
VALVE ASSEMBLY	C2013/A 17-23	ADAPTOR SLEEVE	A2188
"O" RING	C2013/A 2	TORQUE CHAIN	A2058
COUPLING	B2186/A		

WEIGHTS & CASE DIMENSIONS FOR EXPORT. Net Wt. 22lbs. Gross Wt. 38lbs. Case Size 17" x 17" x 13"

LAND ROVER EXTRAS REQUIRED :-

REAR POWER TAKE-OFF

HAND THROTTLE FOR PETROL ENGINES