

# AUTOMETRIC

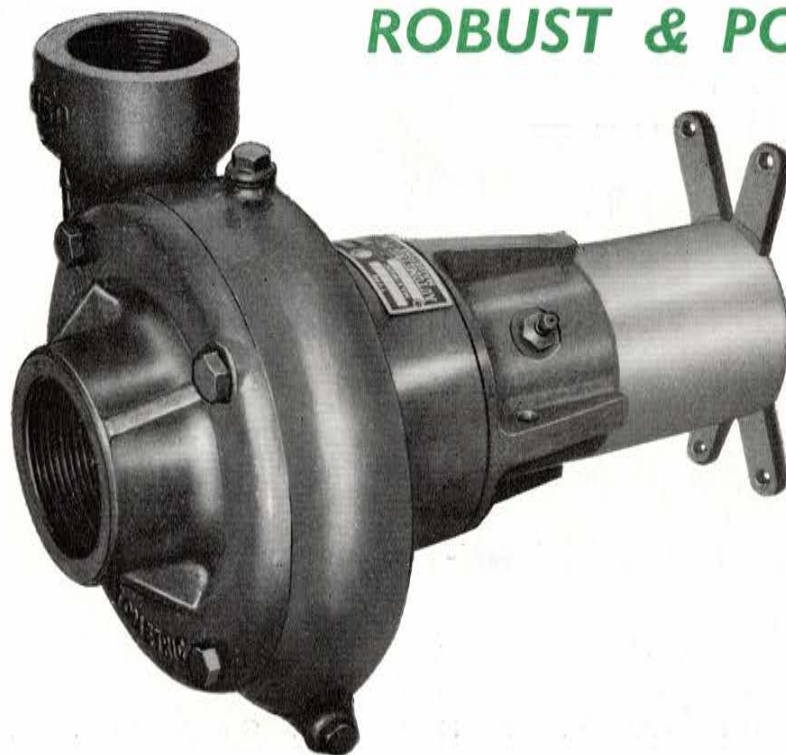
Single Stage Centrifugal Pump

As approved by the Rover  
Co. Ltd. for use with the



- ★ DELIVERS 7000 GALLONS PER HOUR AT 10ft. HEAD
- ★ OUTPUTS UP TO 2700 GALLONS PER HOUR AT 40ft. HEAD
- ★ HEADS UP TO 50ft. AT 2500 R.P.M.
- ★ QUICK FITTING TO LAND ROVER P.T.O. SHAFT

**ROBUST & PORTABLE**



Manufactured by **AUTOMETRIC PUMPS LTD.**  
**WATERSIDE · MAIDSTONE · KENT · ENGLAND**

Telephone : Maidstone 4728.

Cables & Grams : AUTOMETRIC Maidstone.

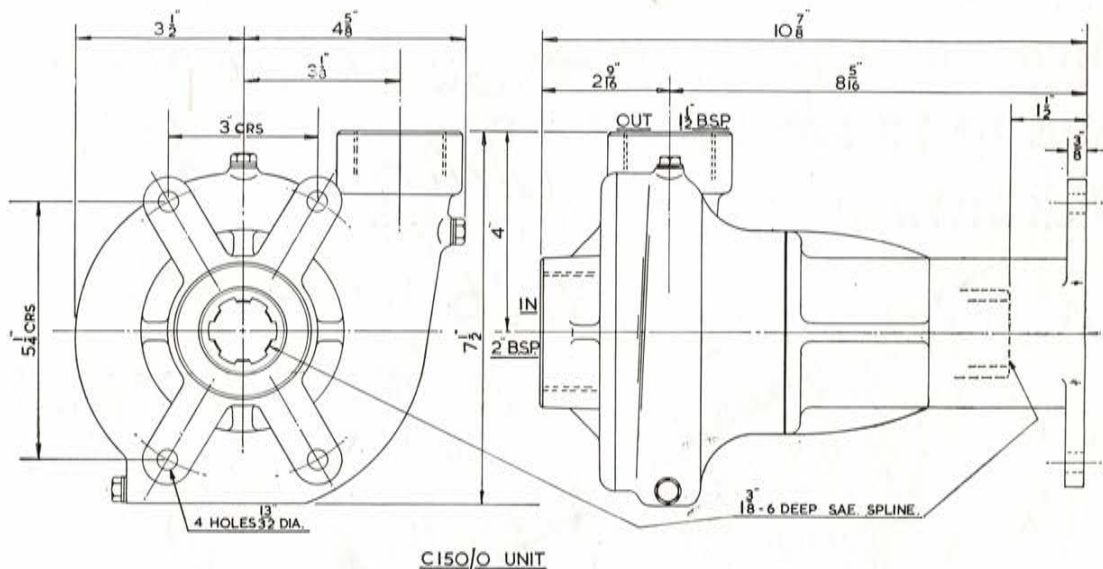
Codes : Bentley's Complete and Second Phrase.

LR3

# SPECIFICATION & DETAILS OF THE CI50/OA AUTOMETRIC Centrifugal Pump with Single Shrouded Impeller

- ★ STORAGE PUMPING
- ★ LIQUIDS TRANSFER

- ★ LOW PRESSURE WASHDOWN
- ★ IRRIGATION



- ★ IMPELLER FOR SLUDGES AND SUSPENSIONS
- ★ MECHANICAL SHAFT SEAL
- ★ SEALED BALL AND NEEDLE ROLLER BEARINGS
- ★ NO BEARINGS IN THE FLUID

WEIGHTS & CASE DIMENSIONS FOR EXPORT. Net Wt. 27lbs. Gross Wt. 42lbs. Case Size 13" x 10" x 10"

**LAND ROVER EXTRAS REQUIRED :-**

**REAR POWER TAKE-OFF  
HAND THROTTLE FOR PETROL ENGINES**