

**The "Camel"**  
**Trail-Tank —**  
**HAULS LIQUID & FREIGHT**  
**SIMULTANEOUSLY**

AS APPROVED BY THE  
ROVER CO. LTD., FOR USE WITH THE



**Three Models**  
*with different liquid/freight  
capacities*

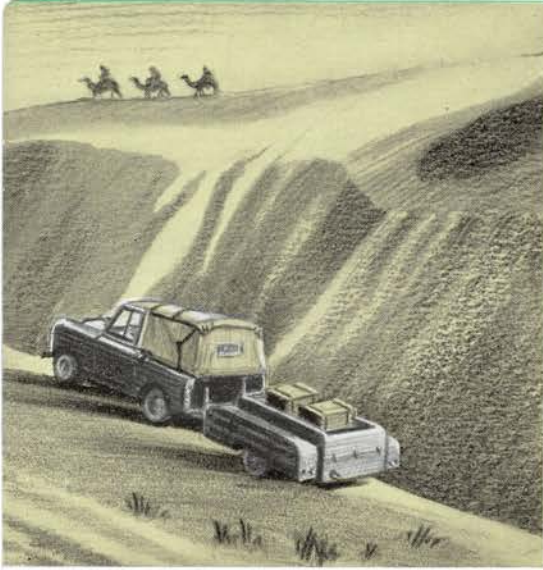
50 galls.  
+  
2000 lb.

100 galls.  
+  
1500 lb.

200 galls.  
+  
500 lb.

Also 250 and  
300 gall. units

MADE BY M. F. ROBERTSHAW LTD., BLETCHLEY, BUCKINGHAMSHIRE, ENGLAND  
(PATENT APPLIED FOR)



## *Some of the many uses of the "Camel" Trail-Tank*

**FIRE FIGHTING:** On a first-aid basis, in Forest or Factory, small Airfield or Municipal Service; in the freight space go pumps, hoses, brooms etc., or chemicals and foam making equipment, the tank/chassis accommodating the essential water.

**FARMING.** Ranging from Equipment/Food, Water/Fuel on sheep fence inspections to the supplying of crop reaping teams; pest control in all its forms; Locust, weed killing and insecticides, bulk chemical in the tank/chassis and pumping equipment above.

**SURVEY.** Where the Topographical, Geophysical and Seismographic parties operate, a Land Rover is a MUST in the arduous terrain, additional supplies of Water/Fuel, Dynamite/Food by "Camel" Trail Tank are a 99% MUST.

**MAINTENANCE & CONSTRUCTION PARTIES,** in the field representing undertakings such as Telephone & Electricity; Gas, Oil & Water pipeline Companies, Municipal Authorities & Civil Engineering concerns, having many uses for Trailers carrying water and cement, fuel and welding equipment, double compartment units for the changing of transformer oils, are but a few of the dual purpose aspects of the "Camel" Trail Tank.

**OIL COMPANIES.** From bulk and packaged kerosene for the home, to water and equipment for test drilling rigs and survey parties to liquid dispensation on the small Airfield.

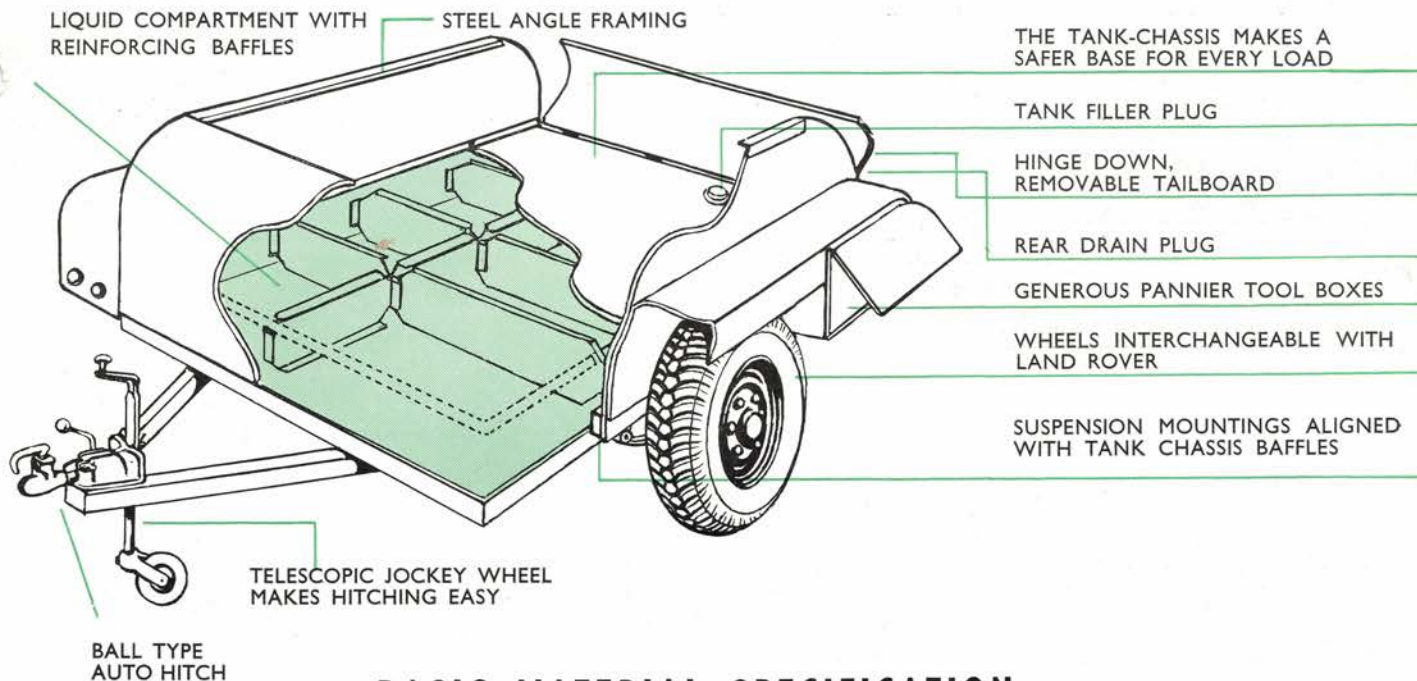
**ARMED SERVICES.** Where versatility is the keynote, this Trailer having all the features of the individual units, Freight or Liquid, combined with increased strength and interchangeability of spares is a logical progression.

**INDIVIDUAL USE.** For the person who has only one immediate requirement liquid or freight but appreciates the advantage of having either alternative available.



Combine the cost of two comparably equipped and ruggedly built individual trailers, orthodox freight and orthodox tank, and find that the **Camel Trail-Tank** is less than **half the cost.**

# The "Camel" Trail-Tank exposed



## BASIC MATERIAL SPECIFICATION

**BODY:** Generally 14 S.W.G. steel; Pannier boxes 18 S.W.G. steel.

**TOW BAR:** 3" x 1½" x ⅛" Interleaved steel box, bolted and welded to sub-chassis.

**HITCH:** Aluminium casting carries 1⅝" Dia. shaft, borne in Phosphur Bronze bushes; auto lock head is of Manganese Bronze, with steel operating mechanism; overrun spring operates brakes; unit is fitted with 'V' clamped telescopic Jockey Wheel.

**BRAKES:** 8" x 1½" self aligning, cable operated.

**AXLE:** 2" Beam with taper roller bearings.

**SPRINGS:** Underslung 8 leaf extra Heavy Duty, clamped to axle with High Tensile steel bolts.

**SPRING DAMPING:** Piston type Shock Absorbers and Bump Rubbers.

**WHEELS:** Interchangeable with Land-Rover.

**TYRES:** Standard—600 x 16 Truck.

**PAINT:** Assembled units; Primer—2 finish coats. (C.K.D.) Export pack: 2 coats Primer.

**LIGHTING:** FRONT, reflectors, side lamps; REAR, reflectors, stop/tail lamps.

### OPTIONAL EXTRAS

Eye Type Hitch	Bucket Type Filler
Double Compartments	Tarpaulin and hooks
Galvanised Tank/Chassis	Vacuum (induction) filler
Rubber suspension	Winking indicators
2nd Trailer towball**	Electric connector cable
Corner Steadies**	Plug and socket assembly
Spare wheel**	Number and triangle plate

\*\*Require mounting brackets

M. F. Robertshaw Ltd., reserve the right to alter Specification or Prices without notice and without incurring any obligation.

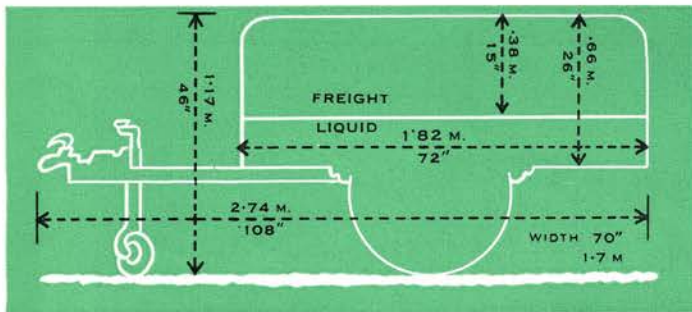
# 'CAMEL' TRAILER SHIPPING SPECIFICATION

## EXPORT PACK

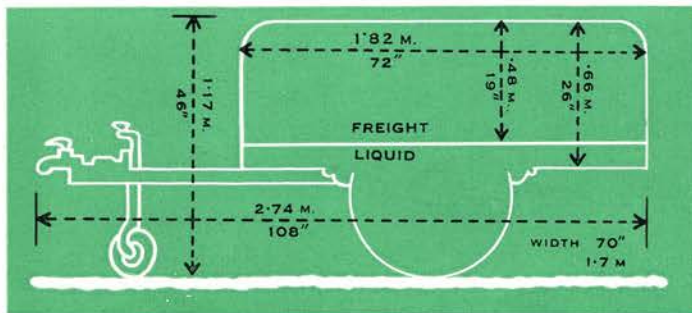
MODEL	WEIGHT		CRATED SIZE		CUBIC CAPACITY	
	lbs.	Kg.	Ins.	M	Feet	M
Mk I	880	400	73×49×30	1.85×1.24×.76	65	1.85
Mk II	868	394	73×49×30	1.85×1.24×.76	65	1.85
Mk III	1024	461	*73×49×39	1.85×1.24×1	81	2.3

\* If shipped in conjunction with Mk II pack, size can be as Mk II.

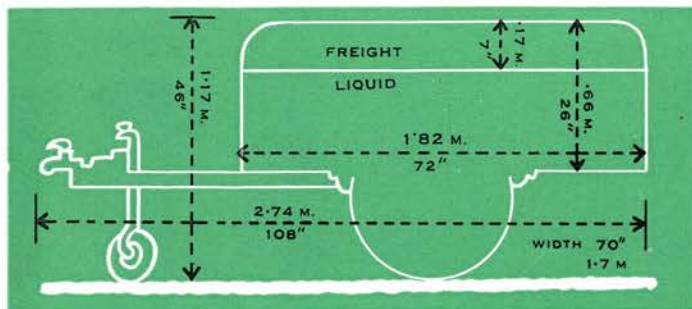
All models if not Export Pack  
Size overall 108" - 2.74m. × 46" - 1.17m.  
× 70" - 1.7m.  
Cubic Capacity 202 cu. ft. - 6.5m<sup>3</sup>.



MK I. 100 GALLS.(U.S) 380L. 1500 Lbs. 680 Kg.



MK II. 50 GALLS.(U.S) 190L. 2000 Lbs. 908 Kg.



MK III. 200 GALLS.(U.S) 760L. 500 Lbs. 227 Kg.



EXPORT PACK

LAND ROVER EXTRAS REQUIRED :

SPECIAL TOWING ATTACHMENT WHEN POWER TAKE-OFF IS FITTED, EXTRA BRACKET No. E 1071