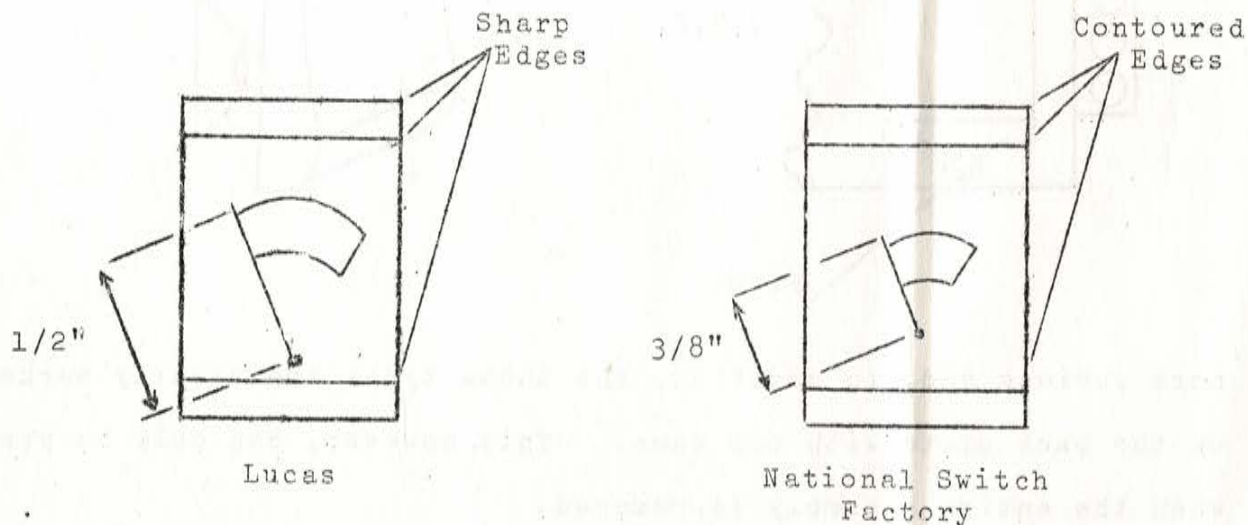


SB/SW/37 HOME
K/2 EXPORT
JULY 1965

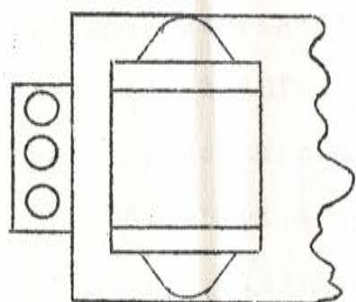
IDENTIFICATION OF LUCAS
107SA SWITCH ON VAUXHALL
"VIVA"

It has become obvious that many switches returned as faulty, although superficially similar to the model 107SA fitted to the Vauxhall "Viva," are in fact not of our manufacture. The difficulty arises because the contract is equally divided between Lucas and the National Switch Factory (N.S.F.) It must therefore be established before a switch is accepted as a claim replacement whether it is a Lucas switch or not. The most obvious visual difference is in the size of the symbols, as shown in the illustration below, the lamp symbols are also bigger.

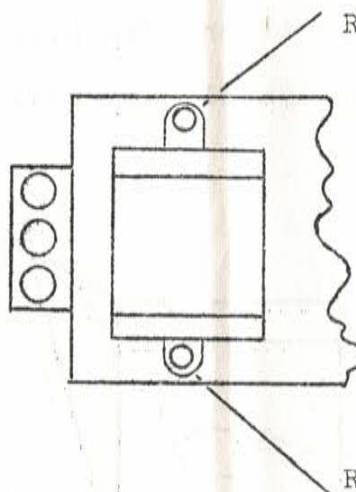
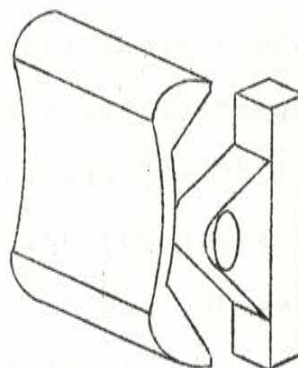


The edges of the 107SA are sharp and well defined, whilst those of the N.S.F. model are smooth. Furthermore, the finish of the N.S.F. model presents a generally glossy appearance compared to the matt finish of the Lucas model.

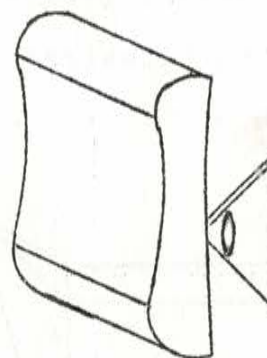
Removal of the metal decorative surround makes the differences



LUCAS



N.S.F.



more obvious and, in addition, the Lucas types are clearly marked on the back plate with our name. This, however, can only be seen when the entire assembly is removed.