



MILITARY VEHICLE

fiche1
B1

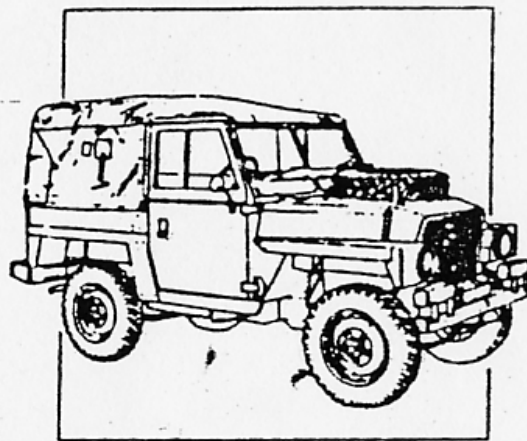
INTRODUCTION PAGES

SERIES III

88" - 1/2 ton MILITARY VEHICLE
(Air Portable - Lightweight)
12 and 24 volt

Part No. RTC9968FA

June 1993



Whilst every effort is made to ensure the accuracy of the particulars contained in this Catalogue, modifications and vehicle specification changes may affect the information specified. No responsibility is accepted for the incorrect supply of parts or any other consequence that may arise as a result of information in this Catalogue not being in accord with modifications or vehicle specification changes which are subsequent to the date of this catalogue. Also no responsibility is accepted for the incorrect supply of parts or any other consequence that may arise as a result of any misinterpretation of the information specified in this Catalogue.

© LAND ROVER UK LTD 1993

All rights reserved. No part of this publication may be reproduced, stored in a retrieval system or transmitted, in any form, electronic, mechanical, photocopying, recording or other means without prior written permission from Land Rover Parts Ltd.

PARTS CATALOGUE



LAND ROVER
PARTS LTD



MILITARY VEHICLE

fiche1
B2

INTRODUCTION PAGES

GENERAL EXPLANATION OF PARTS CATALOGUE

This Parts Catalogue identifies all parts applicable to SERIES III 1/2 ton 12V and 24V models and must be used in conjunction with the SERIES III Parts Catalogue/fiche (NYC0041 & NYC0042) to identify all other parts.



MILITARY VEHICLE

fiche1
B3

ALPHABETICAL INDEX

A

Air cleaner support 2C3
 Alt/fan belt pair 1D4
 Alternator belt pair 1D4
 Alternator mountings 24volt 1D3
 Alternator 24v/2 1D2
 Alternator/damper pulleys & belts 1D4
 Ammeter vehicle/radio 1C10
 Ammeters 24 volt (up to 1978) 1C10
 Antiburst lock lh 2C14
 Antiburst lock rh 2C15
 Arm mirror head 2D7
 Axle - front 1G3
 Axle - rear 1G6
 Axle assembly rear 1G6
 Axle Assy front lh stg 1G3
 Axle Assy front rh stg 1G3
 Axle case - front 1G4
 Axle case - rear 1G7
 Axle case front 1G4
 Axle case rear 1G7

B

Backrest seat rear 2E3
 Barrel and 2 keys 1O4
 Batteries vehicle 24volt 1N6
 Battery box 1N7
 Battery box 1N6
 Battery box (sept 79 onwards) 24v 1N6
 Battery box (up to sept 79) 24vol 1N7
 Battery clamp 1N6
 Battery clamping frame 1N7
 Battery cover 1N7
 Battery cover 1N6
 Battery dry charged 1N6
 Bell crank and control rod 1I3
 Belt seat centre lap 2E4
 Belt seat inertia lh 2E4
 Belt seat inertia rh 2E4
 Belt seat static lh 2E4
 Belt seat static rh 2E4
 Body rear lower 2D2 - D3
 Body rear upper 2D4
 Body rear upper assembly lh 2D6

Body rear upper assembly rh 2D6
 Bonding leads 24 volt 1N15
 Bonnet 2C11
 Bonnet - spare wheel fixings 2D6
 Bonnet assembly 2C11
 Bonnet catch complete 2C10
 Box terminal/amp/horn 1N16
 Bracket mounting inertia 2E5
 Bracket striking plate lh 2D4
 Bracket striking plate rh 2D4
 Bracket tool support axle 2C18
 Breather 1E3
 Buffer axle front 2C2
 Buffer axle rear 2C2
 Buffer check strap 2C14
 Buffer check strap 2C15
 Bulb convoy lamp 1N5
 Bulb fog lamp 1N5
 Bulb for flasher lamp 1N4
 Bulb for flasher lamp 1N4
 Bulb for sidelamp 1N4
 Bulb for stop/tail lamp 1N4
 Bulb hazard warning 1N18
 Bulb hazard warning 1N18
 Bulb headlamp 1N2
 Bulb headlamp 1N3
 Bulb instruments 1N18
 Bulb number plate lamp 1N4
 Bulb warning lights 1N18
 Bumper and bumperettes 2C4
 Bumper front 2C4
 Bumperette front 2C4
 Bumperette rear 2C4

C

Cable a amator to 1N16
 Cable generator panel to 1N16
 Cable shunt box to 1N16
 Cable shunt box to 1N16
 Cable speedometer 1O6
 Cable terminal box to 1N16
 Cap & stud assembly 1G5
 Cap & stud assembly 1G6
 Carburettor elbow 1C13
 Casing 1E3
 Chain lower tailboard 2C17

Chain tailboard upper 2C16
 Charging system 24 volt (from 197 1N16
 Chassis frame 2C2
 Chassis frame 2C2
 Check strap mtg bracket 2C15
 Clamp assembly windscreen 2C13
 Clamping bolt belt cover 1N7
 Cold start con. of 1N18
 Column mounting 1H3
 Column shroud 1H2
 Condenser high temp 1C16
 Contact set 1C16
 Convoy lamp 1N5
 Corner protection angle 2D5
 Cotter and chain complete 2D3
 Cover Assy strg box lh 2C12
 Cover Assy strg box rh 2C12
 Cover front 1C6
 Cover side 1C3
 Cover wiper motor 2C8
 Crankcase emission control 1C13 - C14
 Crankshaft pulley 1C4
 Cross shaft 1I2
 Crossmember no.4 2C2
 Cushion seat front 2E2
 Cushion seat rear 2E3
 Cylinder head 1C11

D

Dash 2C7 - C8
 Dash assembly 2C7
 Dash tie bar 2C7
 Dash ventilator control 2C8
 Distributor (early type) 24volt 1C16
 Distributor (latest type) 24volt 1C17
 Door front lh 2C14
 Door front rh 2C15
 Door hinge 2C14
 Door hinge 2C15
 Door hinge pin lower lh 2C7
 Door hinge pin lower rh 2C8
 Door hinge pin upper lh 2C7
 Door hinge pin upper rh 2C8

E

Emission control valve 1C13
 Engine assembly 12 & 24 volt 1C2
 Engine breather filter 1C13
 Exhaust system 1L2
 Extension Assy wing lh 2C12
 Extension Assy wing rh 2C12

F

Fan belt 1C7
 Fan blade assembly 1C7
 Fan pulley 1C7
 Far/all belts (paired) 1C7
 Filter unit 1C18
 Fixed window 2C16
 Flame trap 1C13
 Floor and sill panels front 2C5
 Flyscreen dash vent inner 2C6
 Flyscreen dash vent outer 2C6
 Flyscreen dash vent outer 2C6
 Fog lamp rear guard 1N5
 Frame seat rear 2E3
 Front door assembly lh 2C14
 Front door assembly rh 2C15
 Front flasher lamp 1N4
 Front floor plate lh 2C5
 Front floor plate rh 2C5
 Front spring drivers side 1G9
 Front spring passeng side 1G9
 Fuel gauge 1O6
 Fuel tank complete 1K2
 Fuel tank gauge unit 1K2

G

Gasket cylinder head 1C11
 Gauge fuel 12 volt 1O7
 Gauge fuel 24 volt 1O7
 Gauge oil temperature 1O7
 Gauge water temperature 1O7
 Gearbox 1E2
 Gearbox cover 2C5
 Gearbox oil filling 2C5



LAND ROVER
PARTS LTD



G - Continued

Generator panel	1N13
Generator panel 24volt	1N13
Glass windscreen	2C13
Grille mesh	2C10
Grouped instrument panel	1O7
Grouped instrument panel	1O7
Grouped instrument panel	1O8
Grouped instrument panel	1O8
Gusset bracket	2D3

H

Hand throttle	1H4
Hand throttle control rod	1H4
Harness - chassis	1N11
Harness - engine	1N12
Harness - main - lh sig	1N10
Harness - main - rh sig	1N9
Harness chassis	1N11
Harness engine	1N12
Harness main lh sig	1N10
Harness main rh sig	1N9
Harness 6-way switch	1O3
Headlamp assembly	1N2
Headlamp assy less bulb	1N3
Headlamp side dip	1N3
Headlamp vertical dip	1N2
Heater	1M2
Heater recirculating	1M2
Hinge bonnet lh	2C11
Hinge bonnet rh	2C11
Hood	2D9
Hood	2D9
Horn	1O6
Horn 24volt	1O6
Hub driving member	1G5
Hub driving member	1G8

I

Idler assembly 24volt	1C8
Ignition coil and filter 24volt	1C18
Inertia	2E5
Inhibitor for infra	1O3
Instrument panel grouped (from 1	1O8
Instrument panel grouped (up to	1O7
Insulation battery cover	1N7

K

Keeper plate terminal box	1N18
Kit master cylinder	1J2
Kit servo unit overhaul	1J2

L

Lamps front and rear	1N4 - NS
Land rover name plate	2C10
Land rover name plate	2D5
Lens brake warning light	1O2
Lens for rr flasher lamp	1N4
Lens for sidelamp	1N4
Lens for stop/tail lamp	1N4
Lens front flasher lamp	1N4
Lens ignition warning	1N18
Lens indicator warning	1N18
Lens rear fog warning	1O2
Lens trailer lnd warning	1N18
Lid seat base centre	2C9
Lid seat base outer	2C9
Lifting & towing rings	2G2
Lifting and towing rings	2G2
Light unit	1N2
Lock set antiburst	2C14
Lock set antiburst	2C15
Lrop seat belt	2E5
Lower tailboard assembly	2C17
Lug tailboard chain	2C17
Lug tailboard chain	2C18

M

Main body - carburettor	1C15
Master cylinder	1J2
Master cylinder, servo & shuttle	1J2
Mirror complete wing	2D7
Mirror head	2D7
Mirrors	2D7
Motor wiper less shaft	1O11
Mudshield front wing lh	2C12
Mudshield front wing rh	2C12

N

Nato socket	2G3
Nato socket c/w leads	2G3

O

O ring-cap & stud to	1G8
O ring-cap and stud to	1G5
Oil filter cap	1C8
Oil filler cap	1E3
Oil filter pipe	1C8
Oil filter	1C10
Oil pump	1C9
Oil temperature gauge	1O8
Output shaft	1E4

P

Panel main switch	1N18
Panel 6-way switch	1O3
Pipe breather remote	1G3
Pipe exhaust front	1L2
Pipe exhaust intermediate	1L2
Pipe remote breather	1G6
Plate protection lh	2C2
Plate protection rh	2C2
Plate spring bottom	1G10
Plate spring bottom	1G10
Plate spring bottom	1G14

Plate spring bottom	1G14
Plug for transfer box	1F2
Plug sparking	1C15
Prop bonnet	2C11
Propshaft - rear	1G2
Propshaft rear	1G2
Protection cap nato skt	2G3
Pulley alternator	1D4
Pulley crankshaft	1C4
Pulley damper	1D4
Pulley idler assembly	1C8

R

Radiator grille and bonnet catch	2C10
Radiator grille complete	2C10
Rail seat br	2E5
Rear body lower assembly	2D2
Rear body upper assy lh	2D6
Rear body upper assy rh	2D5
Rear lamp prot plate rh	2D2
Rear spring drivers side	1G13
Rear spring passeng side	1G13
Red reflector	1N4
Registration plate	2C17
Relay - auxiliary	1O5
Relay - hazard warning	1O5
Relay - horn	1O5
Relay - infra red	1O5
Relay bra - brake check	1O5
Relay bra - rear fog	1O5
Relays	1O5
Rod check strap	2C14
Rod check strap	2C15
Rod control relay to	1I3
Rod tie engine	2C2
Rope hook	2D5
Rope hook	2D6
Rotor arm	1C16
Rr flasher lamp less bulb	1N4
Rr number plate lamp c/w	1N4





MILITARY VEHICLE

fiche1
B5

ALPHABETICAL INDEX

S

Seal retainer vent panel	2C6
Sealing rubber door	2C16
Sealing rubber door	2D4
Sealing rubber upper body	2D5
Sealing rubber upper body	2D6
Seat base	2C9
Seat base assembly	2C9
Seat front(charcoal)	2E2
Seat rear (charcoal)	2E3
Servo unit	1J2
Shaft & gear wiper motor	1O11
Shaft & hub driving member - front	1G5
Shaft & hub driving member - rear	1G8
Shaft and joint complete	1G5
Shaft and joint complete	1G5
Shaft axle rear lh	1G8
Shaft axle rear rh	1G8
Shaft cross accelerator	1I2
Shaft half lh inner	1G5
Shaft half rh inner	1G5
Shaft stub outer	1G5
Shim body mounting	2D2
Shim chassis body bracket	2D3
Shim striker plate	2D4
Shock absorber front	1G12
Shock absorber rear	1G12
Shock absorbers	1G12
Shunt box assembly	1N14
Shunt box assembly (r/w)	1N14
Shunt box 24volt	1N14
Sidelamp less bulb	1N4
Sidescreeen assembly lh	2C16
Sidescreeen assembly rh	2C16
Sidescreeens	2C16
Silencer complete	1L2
Silencer complete	1L2
Sill panel lh	2C5
Sill panel rh	2C5
Sliding window	2C16
Socket inspection lamp	1N18
Socket inspection lamp	1N18
Speedometer	1O9
Speedometer kph	1O9
Speedometer mph	1O9
Spring u bolts & bottom plates fr	1G10 - G11
Spring u bolts & bottom plates re	1G14
Springs road front	1G9
Springs road rear	1G13
Squab seat front	2E2
Staple for hood strap	2D5
Staple for hood strap	2D6
Staple ret spare wheel	2D6
Starter motor 24volt	1D5 - D6
Starter solenoid 24-volt	1D7
Starting dog & guide	1C4
Starting handle	2F3
Starting handle	2F3
Static (up to June 81)	2E4
Stop/tail lamp less bulb	1N4
Strap check rebound	2C2
Strap ret spare wheel	2D6
Striker	2C11
Striking plate dr lock lh	2D4
Striking plate dr lock rh	2D4
Sump	1C5
Support air cleaner	2C3
Support block spare wheel	2D6
Suppression box	1O11
Switch brake warning	1N18
Switch brake warning	1N18
Switch cold start control	1O2
Switch hazard warning	1N18
Switch headlamp dip/	1N17
Switch headlamp dip/indicator & h	1N17
Switch heater 2 position	1N18
Switch ignition starter	1O4
Switch intra red	1O3
Switch panel light	1N18
Switch panel main	1N18 - O2
Switch rear fog lamp	1O2
Switch starter	1O4
Switch starter solenoid	1D7
Switch windscreen wiper/	1O3
Switch 6-way lighting	1O3
Switch 6 way lighting	1O3

T

T bolt battery clamping	1N7
Tailboard buffer	2D5
Tailboard buffer	2D6
Tailboard chain bracket	2D3

Tailboard lower	2C17
Tailboard upper	2C18
Tailboard upper assembly	2C18
Tanks and fittings	1K2
Thermostat & housing	1C12
Timing pointer	1C6
Toolbox	2F2
Toolbox assembly	2F2
Top capping assy lh	2D6
Top capping assy rh	2D5
Towing hook and lifting rings	2G2
Towing hook complete	2G2
Transfer casing	1F2
Tread plate rear floor	2D2
Trip reset cable	1O9

U

U bolt front plate	1G10
U bolt plate rear	1G14

V

Valve shuttle	1J2
Ventilator and lid lh	2C6
Ventilator and lid rh	2C6
Ventilator panel assembly	2C6
Ventilators and flyscreens	2C6

W

Water container	1O12
Water pump and fan	1C7
Water temperature gauge	1O8
Windscreen	2C13
Windscreen complete assy	2C13
Windscreen washer pump	1O12
Windscreen washers	1O12
Windscreen wiper motor	1O11
Wing front assembly lh	2C12
Wing front assembly rh	2C12
Wings	2C12



MILITARY VEHICLE

fiche1
C1

ENGINE

MASTER INDEX

	PAGES
INTRODUCTION AND ALPHABETICAL INDEX	1 ROW B
ENGINE	1 ROW C - D
GEARBOX	1 ROW E
TRANSFER BOX	1 ROW F
AXLES AND SUSPENSION	1 ROW G
STEERING	1 ROW H
VEHICLE AND ENGINE CONTROLS	1 ROW I
BRAKES	1 ROW J
FUEL SYSTEM AND AIR CLEANER	1 ROW K
EXHAUST SYSTEM	1 ROW L
COOLING/HEATING	1 ROW M
BODY ELECTRICAL	1 ROW N - O
INTRODUCTION AND ALPHABETICAL INDEX	2 ROW B
BODY AND CHASSIS	2 ROW C - D
SEATS	2 ROW E
STOWAGE	2 ROW F
MISCELLANEOUS - PAINTS ETC	2 ROW G
NUMERICAL INDEX	2 ROW H
NEW PARTS TO FICHE	2 ROW H

GROUP B

ENGINE

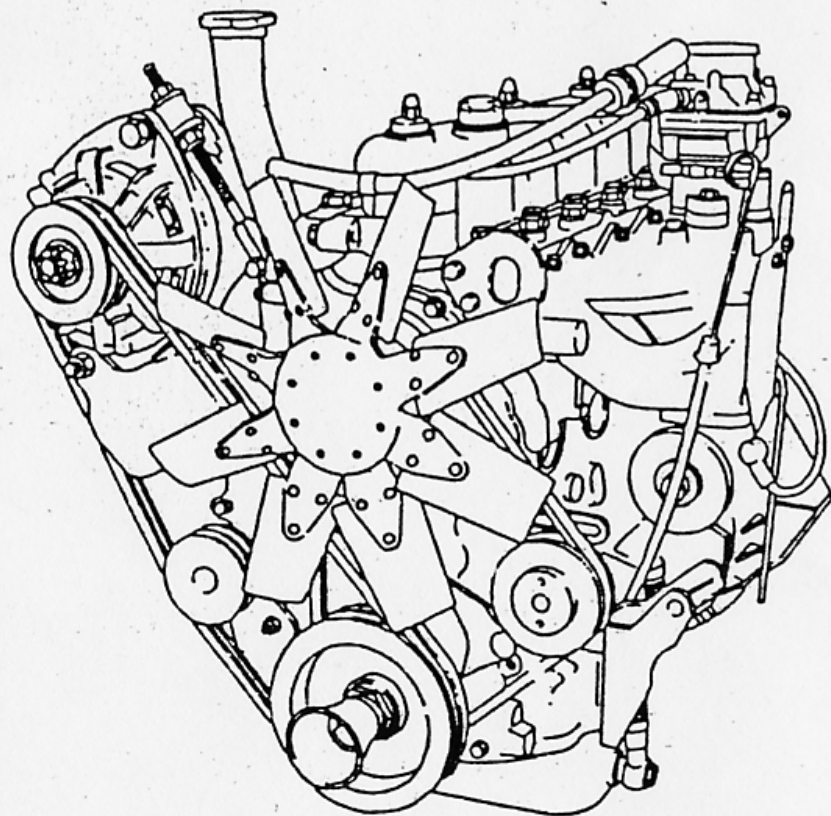
ENGINE	
ENGINE ASSEMBLY 12 & 24 VOLT	1 C2
COVER SIDE	1 C3
CRANKSHAFT PULLEY	1 C4
SUMP	1 C5
COVER FRONT	1 C6
WATER PUMP AND FAN	1 C7
IDLER ASSEMBLY 24VOLT	1 C8
OIL PUMP	1 C9
OIL FILTER	1 C10
CYLINDER HEAD	1 C11
THERMOSTAT & HOUSING	1 C12
CRANKCASE EMISSION CONTROL	1 C13 - C14
MAIN BODY - CARBURETTER	1 C15
DISTRIBUTOR (EARLY TYPE) 24VOLT	1 C16
DISTRIBUTOR (LATEST TYPE) 24VOLT	1 C17
IGNITION COIL AND FILTER 24VOLT	1 C18
ALTERNATOR 24VOLT	1 D2
ALTERNATOR MOUNTINGS 24VOLT	1 D3
ALTERNATOR/DAMPER PULLEYS & BELTS	1 D4
STARTER MOTOR 24VOLT	1 D5 - D6
STARTER SOLENOID 24VOLT	1 D7



**LAND ROVER
PARTS LTD**

Model MILITARY VEHICLE
Page YWBAAA1A

ENGINE - ENGINE ASSEMBLY 12 & 24 VOLT



RL Part No.	Description	Qty	Remarks
1 RTC2746N	Engine & clutch assembly	1	Note(1)
1 RTC2747N	Engine & clutch assembly	1	Note(2)

Note(1)
Note(2)

Applicable to 24 volt 2.1/4 litre petrol 5 bearing crankshaft military engine
Applicable to 12 volt 2.1/4 litre petrol 5 bearing crankshaft military engine
no longer available, can be replaced by civilian engine part number
ERC6673N.



MILITARY VEHICLE

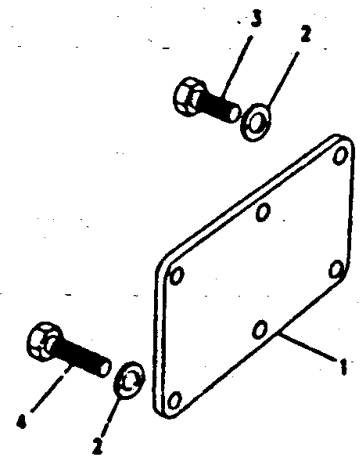
fiche1
C3

ENGINE

Model MILITARY VEHICLE
Page YWBABC1A

ENGINE - COVER SIDE

ML Part No.	Description	Qty	Remarks
1 541010	Cover side front	1	
2 WM800051L	Washer spring	6)Side cover
3 SH605071L	Bolt 5/16"unf x 7/8	4)to cylinder
4 SH605101L	Bolt 5/16"unf x 1.1/4	2)block



LAND ROVER
PARTS LTD



MILITARY VEHICLE

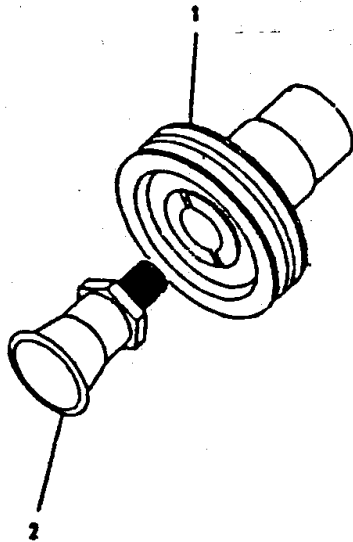
fiche1
C4

ENGINE

Model MILITARY VEHICLE
Page YWBACA1A

ENGINE - CRANKSHAFT PULLEY

Ill. Part No.	Description	Qty	Remarks
1 ERC5351	Pulley crankshaft	1	24Volt
ERC5348	Pulley crankshaft	1	12Volt
2 ERC7598	Starting dog & guide	1	3 Brg engine
ERC7680	Starting dog & guide	1	5 Brg engine





MILITARY VEHICLE

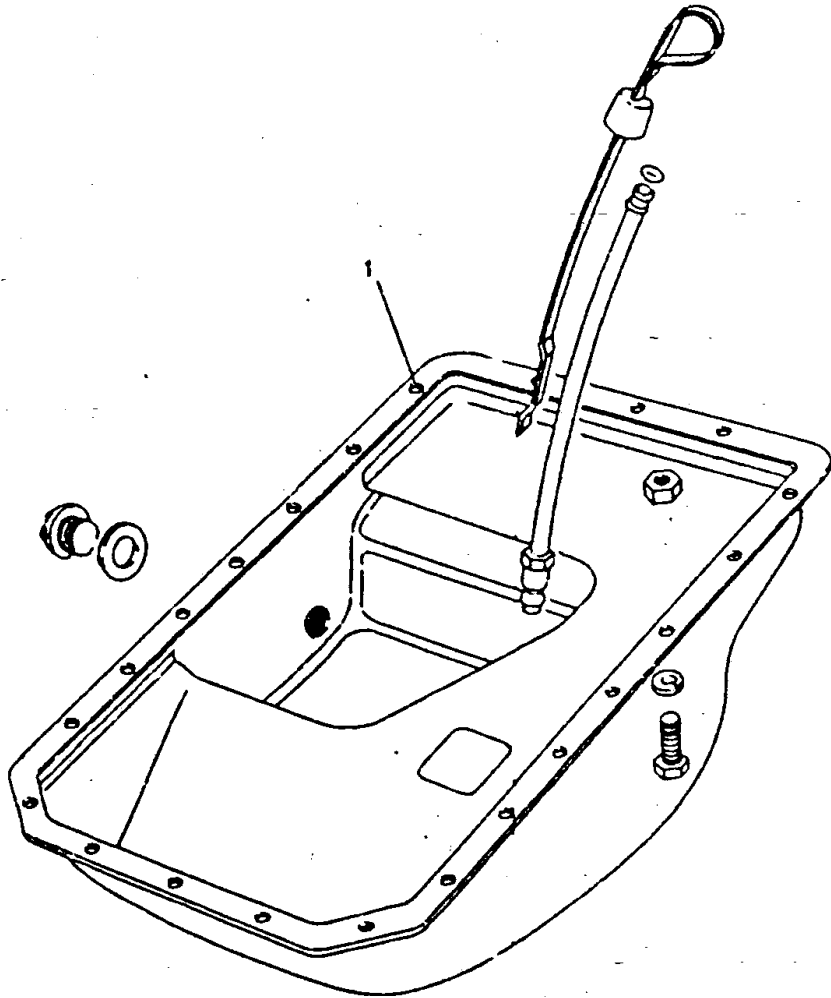
fiche1
C5

ENGINE

Model MILITARY VEHICLE
Page YWBADA1A

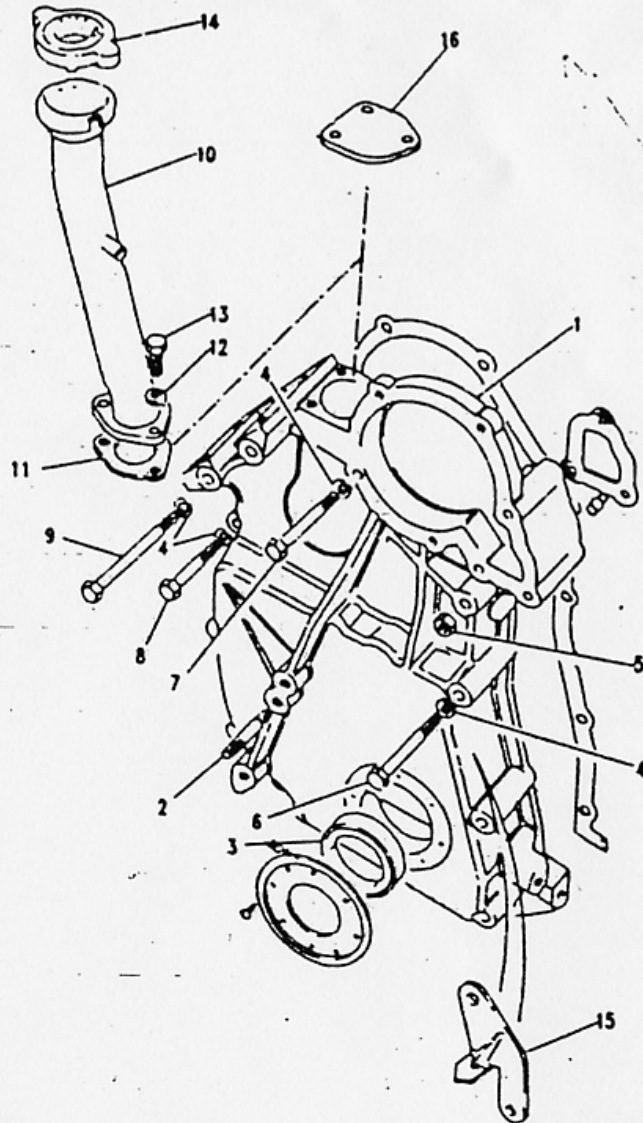
ENGINE - SUMP

Ill. Part No.	Description	Qty	Remarks
1 598331	Sump	1	



Model MILITARY VEHICLE
Page YWBAEA1A

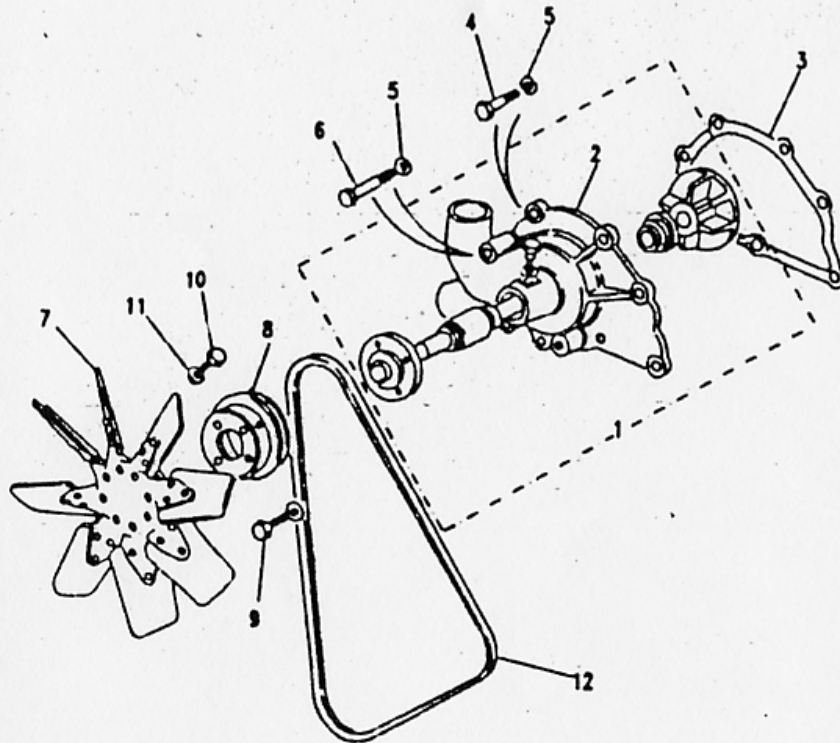
ENGINE - COVER FRONT



Qt.	Part No.	Description	Qty	Remarks
1	ERC2947	Cover front assembly	1	24Volt
	ERC819	Cover front assembly	1	12Volt
2	TE505105L	Stud	1	
3	90516028	Oil seal	1	
4	WM600051L	Washer spring	14)
5	NH605041L	Nut 5/16"unf	2)
6	BH605261L	Bolt 5/16"unf x 3.1/4"	1)Front Cover
7	BH605241L	Bolt 5/16"unf x 3"	5)to block
8	BH605161L	Bolt 5/16"unf x 2"	1)
9	BX605281	Bolt 5/16"unf x 3.1/2"	2)
10	596820	Oil filter pipe	1	
11	542636	Washer joint	1)Oil filter
12	WM600041L	Washer spring	3)pipe to
13	SH504061L	Set bolt 1/4"unc x 3/4"	3)front cover
14	598231	Oil filter cap	1	
15	ERC5352	Timing pointer	1	
16	574469	Blanking plate	1	From Jan 83

Model MILITARY VEHICLE
Page YWBAAE1A

ENGINE - WATER PUMP AND FAN



Ill. Part No.	Description	Qty	Remarks
1	RTC8327	1	24 volt
	549735	1	12 volt
	RTC8328	1	Note(1)
2	538893	1	Casing water pump
3	542218	1	Washer joint
4	BH504101L	3	Water pump to front cover
5	WM600041L	3	Washer spring
6	BH605261L	4	Bolt 5/16"unf x 3.1/4"
7	541008	1	Fan blade assembly
8	542686	1	24 volt Fan pulley
	530304	1	12 volt Fan pulley
	545700	1	Hub fan pulley
9	BH604101L	4	Fan pulley to hub
10	255206	4	Fan to pulley
11	WM600041L	4	Washer spring
12	535688	1	24Volt Fan belt
	563132	2	12Volt Fan/Alt belts (paired)

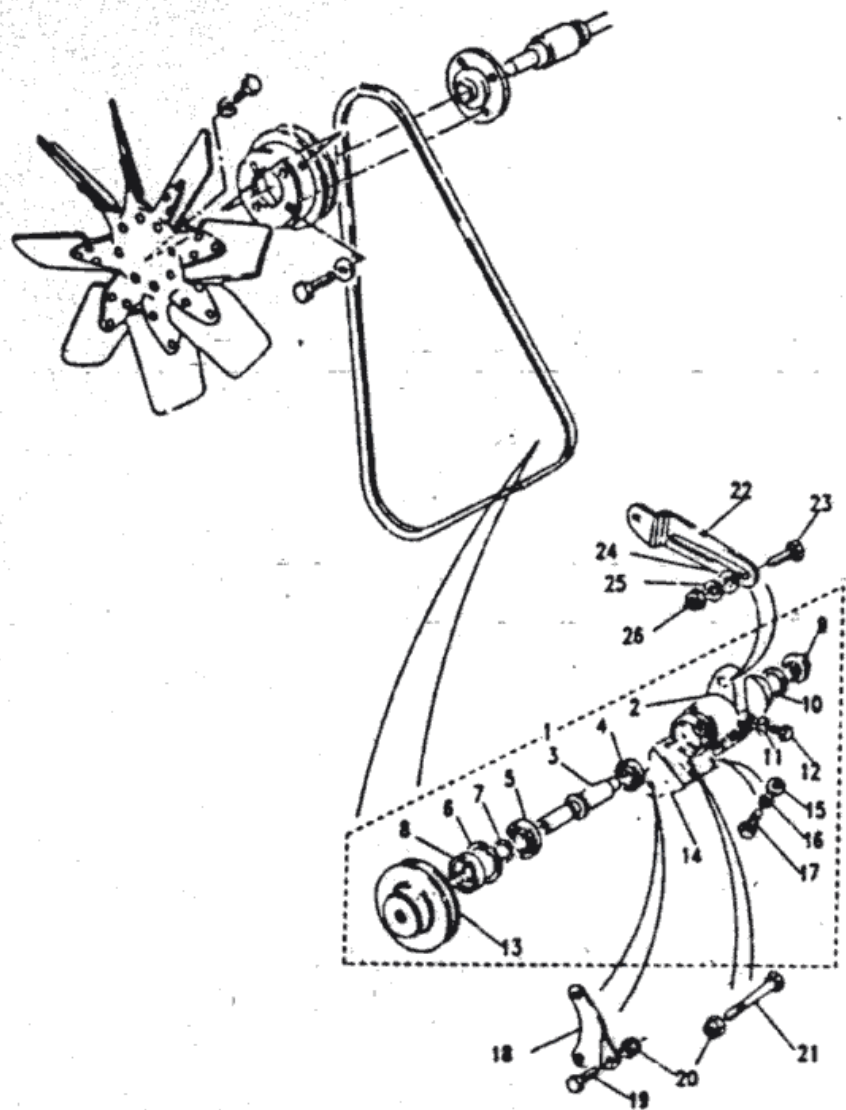
Note(1) Basic 12 volt water pump fitted to 12 volt vehicles from engine number 95106357A



MILITARY VEHICLE

fiche1
C8

ENGINE



Model MILITARY VEHICLE
Page YWBAEG1A

ENGINE - IDLER ASSEMBLY 24VOLT

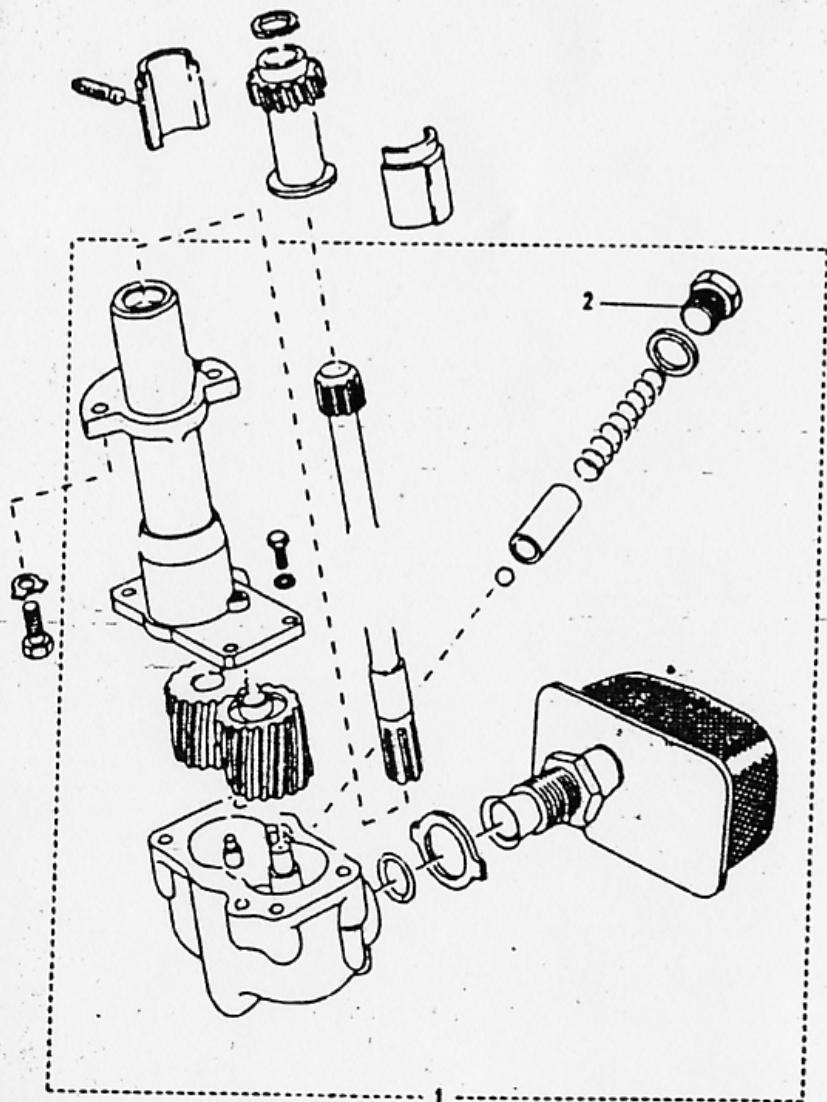
Ill. Part No.	Description	Qty	Remarks
1 549700	Pulley idler assembly	1	
2 541753	Body idler wheel	1	
3 532063	Spindle	1	
4 500388	Bearing inner	1	
5 529221	Bearing outer	1	
6 529215	Circlip	1	
7 519241	Circlip	1	
8 529223	Oil seal	1	
9 RTC6851	Plug	1	
10 243960	Washer joint	1	
11 232038	Washer joint	1	
12 255021	Set bolt 5/16"unf x 3/8"	1	NLA
13 549701	Pulley	1	
14 531724	Bracket	1	
15 3830L	Washer plain	4	
16 WM600051L	Washer spring	4	
17 SH605061L	Set bolt 5/16"unf x 3/4"	4	
18 278000	Bracket	1	
19 SH605081L	Bolt 5/16"unf x 1"	1	
20 NY605041L	Nyloc nut 5/16"unf	2	
21 BX805281	Bolt 5/16"unf x 3.1/2"	1	
22 90519215	Adjusting link	1	
23 SH605101L	Bolt 5/16"unf x 1.1/8"	1	
24 2266L	Washer plain	1	
25 WM600051L	Washer spring	1	
26 NH605041L	Nut 5/16"unf	1	

Model MILITARY VEHICLE

Page YWBAFA1A

ENGINE - OIL PUMP

NI. Part No.	Description	Qty	Remarks
1 ERR1117	Oil pump assembly	1	
2 564455	Plug retaining oil relief valve	1	





MILITARY VEHICLE

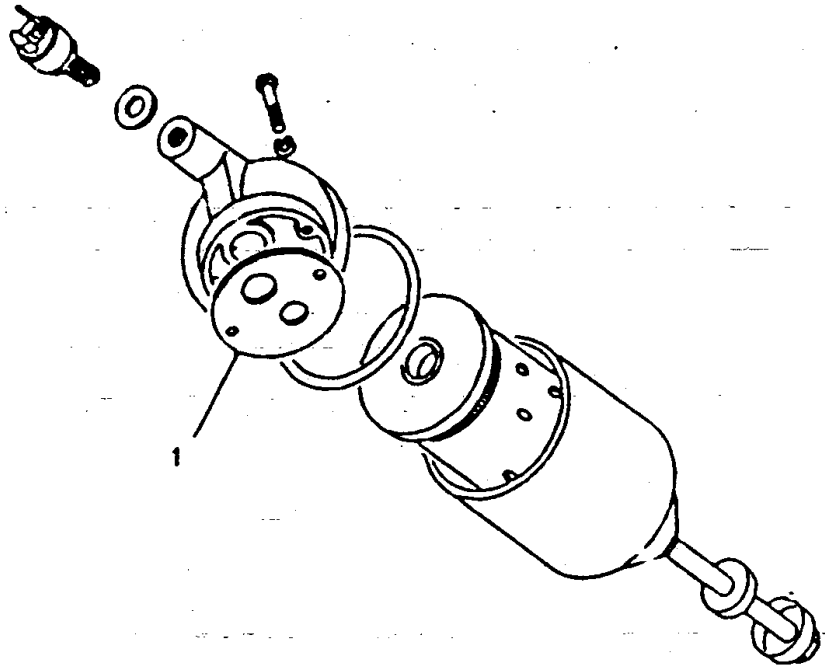
fiche1
C10

ENGINE

Model MILITARY VEHICLE
Page YWBAFC1A

ENGINE - OIL FILTER

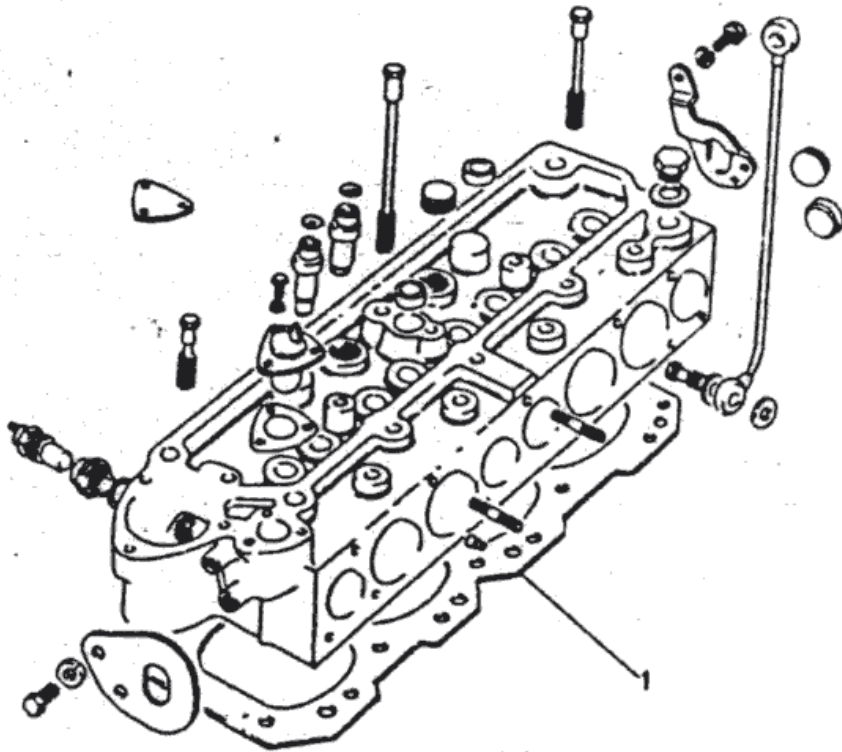
Ill. Part No.	Description	Qty	Remarks
1 ETC5276	Washer joint	2	



Model MILITARY VEHICLE
Page YWBAGA1A

ENGINE - CYLINDER HEAD

M. Part No.	Description	Qty	Remarks
1 ERC6380	Gasket cylinder head	1	





MILITARY VEHICLE

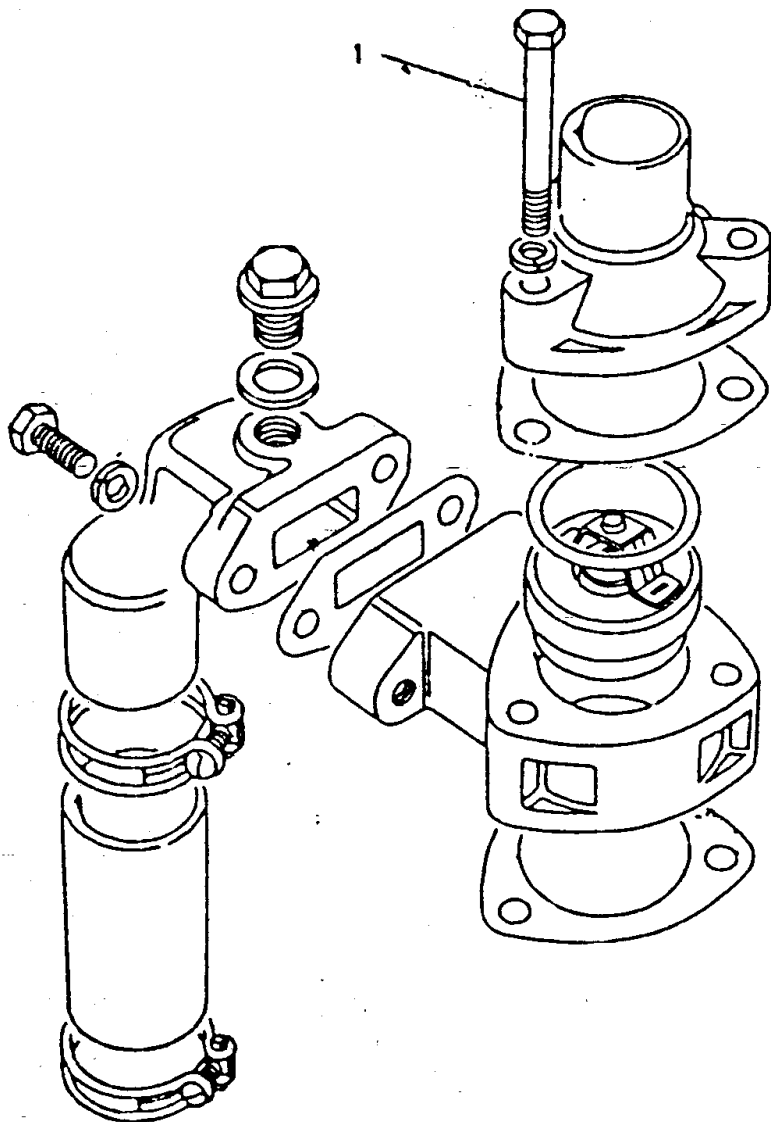
fiche1
C12

ENGINE

Model MILITARY VEHICLE
Page YWBAGK1A

ENGINE - THERMOSTAT & HOUSING

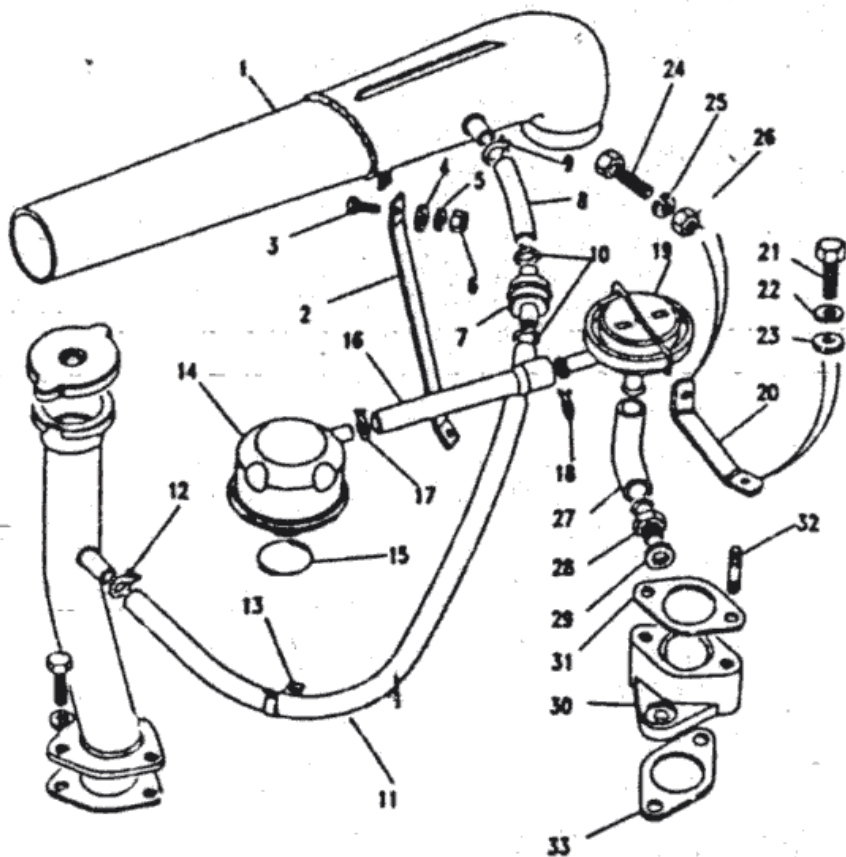
M. Part No.	Description	Qty	Remarks
1 BH604201L	Bolt, water outlet pipe to cylinder head	3	



Model MILITARY VEHICLE

Page YWBAHE1A

ENGINE - CRANKCASE EMISSION CONTROL

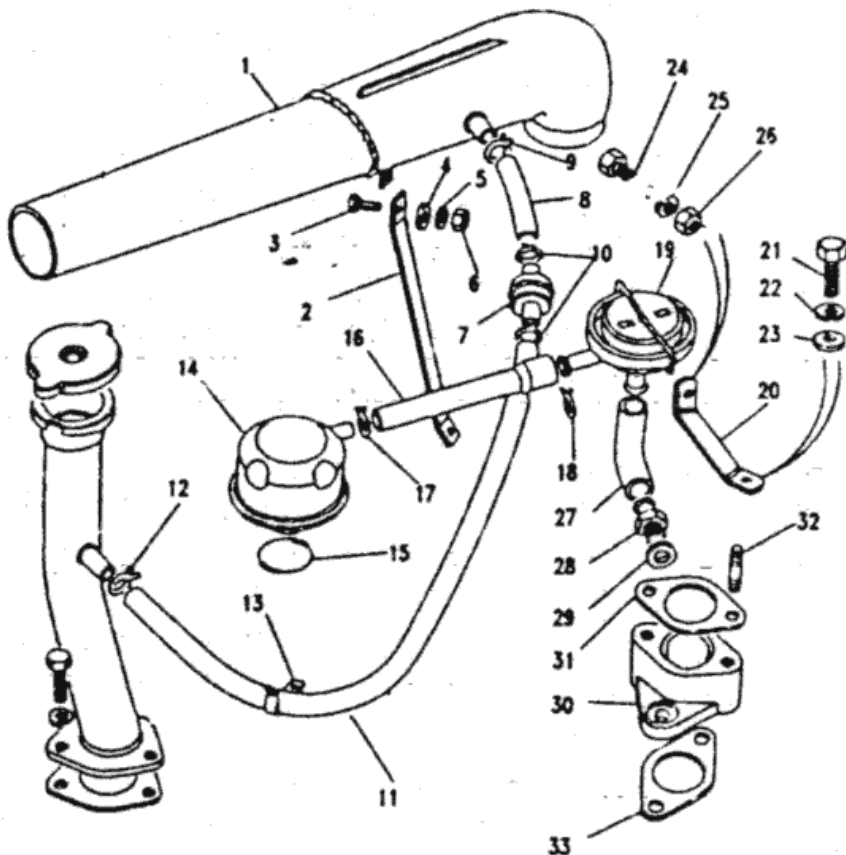


Ill. Part No.	Description	Qty	Remarks
1 596159	Carburettor elbow	1	
2 554422	Support strip	1	NLA
3 255206	Bolt 1/4"unf x 5/8"long	1)Fixing
4 RTC609	Washer plain	1)Carburettor
5 WM600041L	Washer spring	1)elbow to
6 NH604041L	Nut 1/4"unf	1)support strip
7 603330	Flame trap	1	
8 567120	Hose carburettor elbow to flame trap	1	
9 CS600204	Clip hose to elbow	1	
10 572548	Clip hoses to flame trap	2	
11 596821	Hose flame trap to oil filter pipe	1	
12 CS600204	Clip hose to oil filter pipe	1	
13 596142	Clip hose to water outlet connection	1	
14 596203	Engine breather filter	1	
15 208887	O ring filter to rocker cover	1	
16 596153	Hose breather filter to control valve	1	
17 546210	Clip hose to engine breather filter	1	
18 554260	Clip hose to control valve	1	
19 RTC6855	Emission control valve	1	
20 574264	Support bracket for control valve	1	

Model MILITARY VEHICLE

Page YWBAHE1A

ENGINE - CRANKCASE EMISSION CONTROL

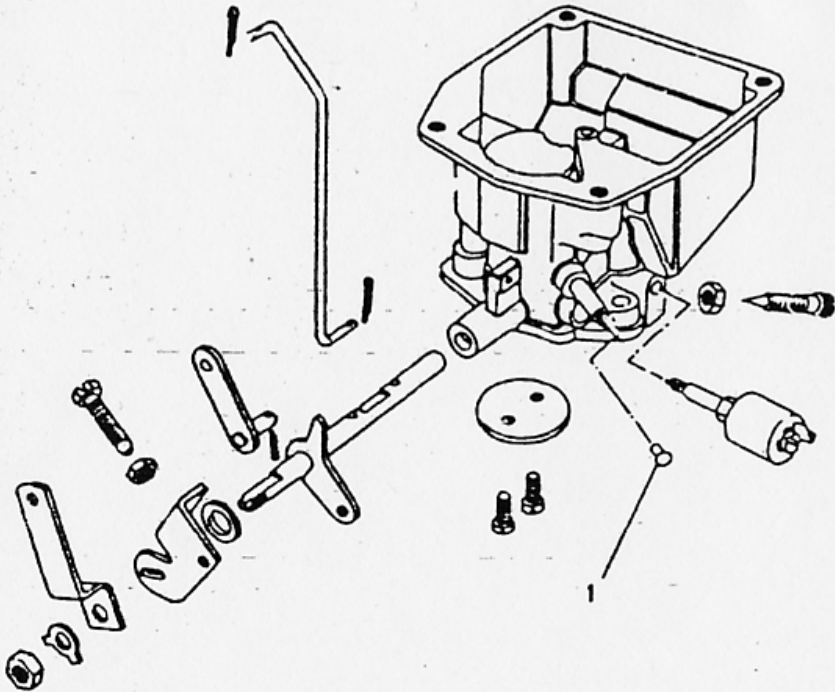


Ill. Part No.	Description	Qty	Remarks
21	SH504051L Bolt 1/4"unc x 5/8"long	1	
22	WM600041L Washer spring	1)Supportbrkt
23	RTC609 Washer plain	1)to inlet
24	SH604061L Bolt 1/4"unf x 3/4"long	1)manifold
25	WM600041L Washer spring	1)Control
26	NH604041L Nut 1/4"unf	1)valve to
27	574750 Hose control valve to manifold adaptor	1)bracket
28	548590 Adaptor for hose	1	
29	243958 Washer joint for adaptor	1	
30	STC541 Adaptor carburettor to manifold	1	
31	554163 Washer joint carburettor to adaptor	1	
32	252514 Stud fixing carburettor	2	
33	278163 Washer joint packing piece to inlet manifold	2	

Model MILITARY VEHICLE
Page YWBAIA1A

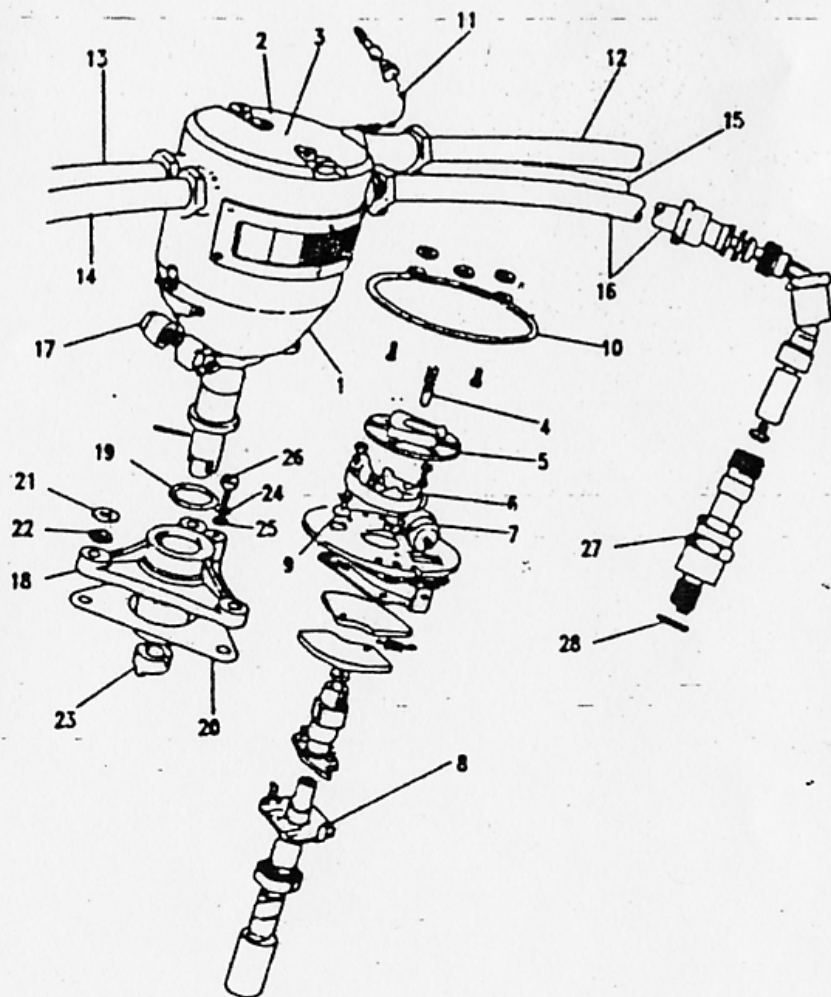
ENGINE - MAIN BODY - CARBURETTER

ML Part No.	Description	Qty	Remarks
1 566605	Plug suction hole in carburetter	1	NLA



Model MILITARY VEHICLE
Page YWBAPA1A

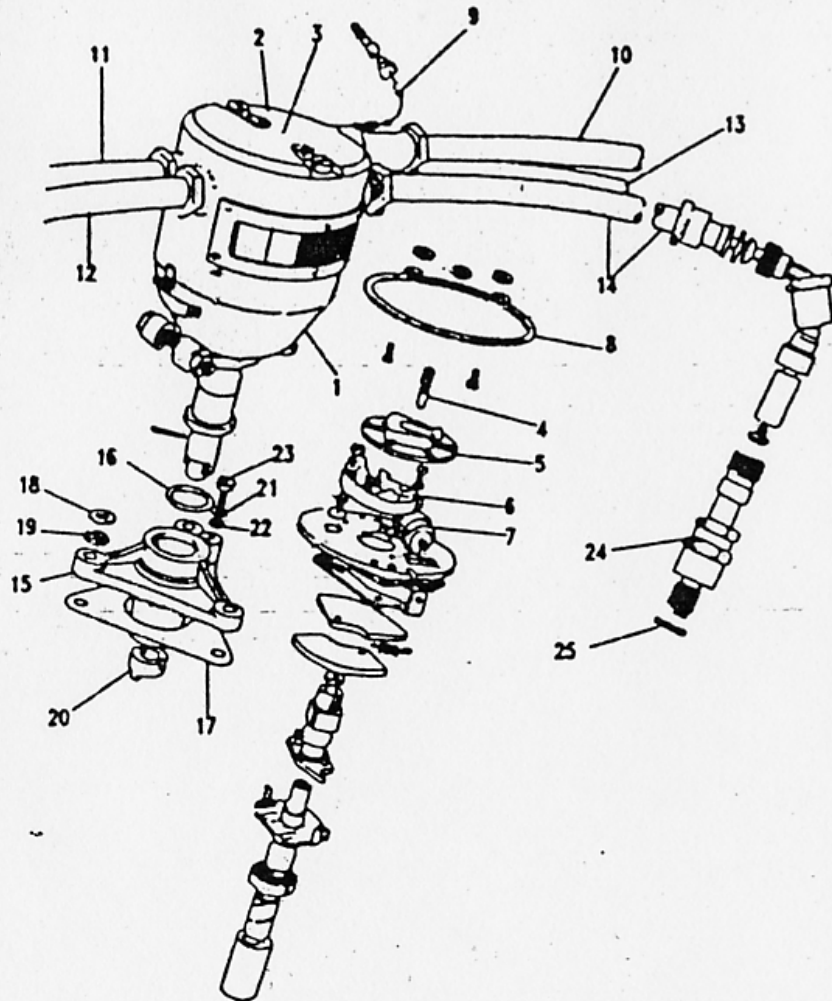
ENGINE - DISTRIBUTOR (EARLY TYPE) 24VOLT



Int. Part No.	Description	Qty	Remarks
1 526265	Distributor	1	Upto engine no: 95132888C 95201211C nil use ETC5960
2 605021	Cover metal outer	1	
3 90600725	Cover plastic inner	1	
4 600726	Brush and spring	1	
5 STC1132	Rotor arm	1	
6 RTC6622	Contact set	1	
7 600730	Condenser high temp	1	
8 600732	Shaft and action plate	1	
9 600737	Bush insulating cb base	1	
10 600743	Washer rubber sealing	1	Distributor cover
11 600745	Cable ht coil to distrib	1	
12 600746	Cable ht coil to distrib	1	
13 600747	Cable ht distributor to	1	No.1 plug
14 600748	Cable ht distributor to	1	No.2 plug
15 600749	Cable ht distributor to	1	No.3 plug
16 600750	Cable ht distributor to	1	No.4 plug
17 600756	Screw and nut assy clamp	1	
18 554898	Adaptor distributor	1	
19 278116	Seal oil distrib.housing	1	
20 541817	Washer joint aluminium	1	Dist.housing
21 RTC813	Washer plain	3	Adaptor to
22 90510912	Washer fan disc	3	block
23 549811	Shaft driving dist.top	1	Blade type
24 WB106041L	Washer plain	1	Distributor
25 WM600041L	Washer spring	1	to adaptor
26 2C3205	Screw 1/4"unc x 9/16"	1)
27 566713	Plug sparking	4	7:1 cr
RTC4732	Plug sparking	4	8:1 cr
28 40441	Washer copper&substeel	4	14mm

Model MILITARY VEHICLE
Page YWBAPA2A

ENGINE - DISTRIBUTOR (LATEST TYPE) 24VOLT

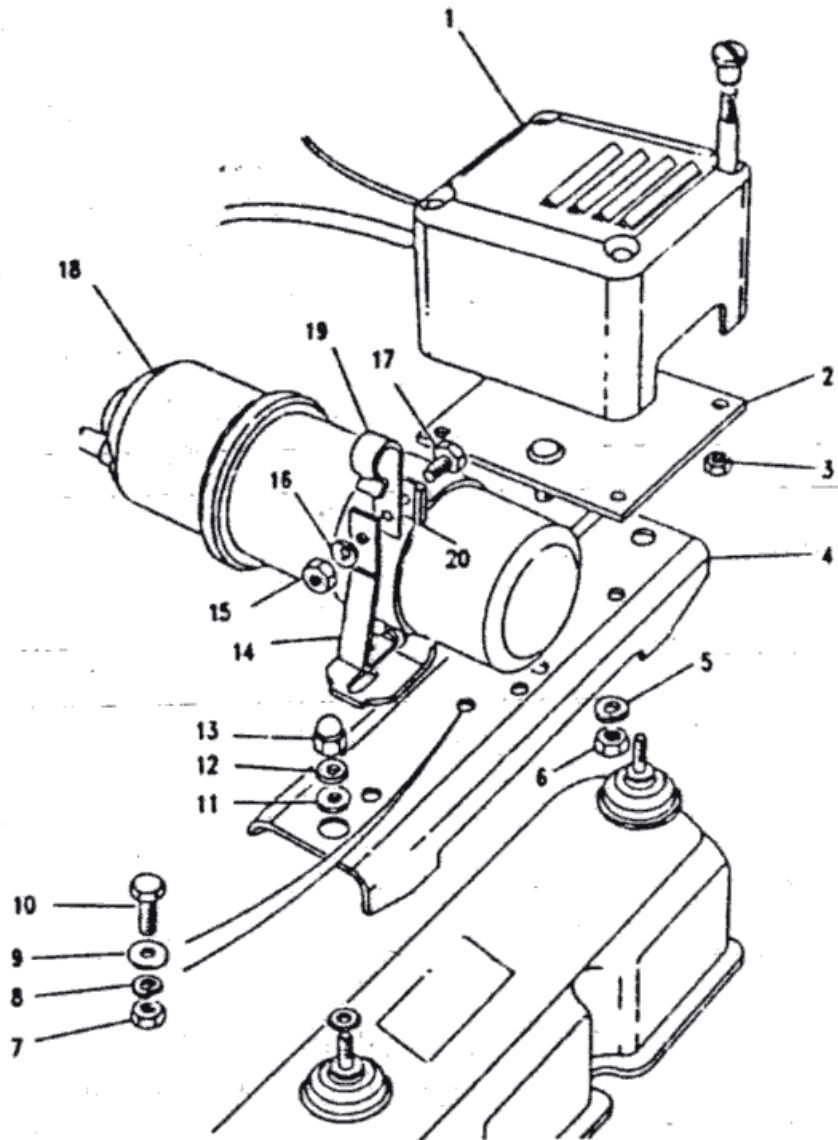


ML. Part No.	Description	Qty	Remarks
1 ETC5960	Distributor	1	
2 605021	Cover metal outer	1	
3 90600725	Cover plastic inner	1	
4 600726	Brush and spring	1	
5 STC1132	Rotor arm	1	
6 RTC6622	Contact set	1	
7 600730	Condenser high temp	1	
8 600743	Washer rubber sealing	1	Distributor cover
9 AEU1869	Cable ht coil to distrib	1	
10 AEU1864	Cable ht coil to distrib	1	
11 AEU1865	Cable ht distributor to	1	No.1 plug
12 AEU1866	Cable ht distributor to	1	No.2 plug
13 AEU1867	Cable ht distributor to	1	No.3 plug
14 AEU1868	Cable ht distributor to	1	No.4 plug
15 554898	Adaptor distributor	1	
16 278116	Seal oil distrib.housing	1	
17 541817	Washer jet aluminium	1	Dist.housing
18 RTC613	Washer plain	3)Adaptor to
19 90510912	Washer fan disc	3)block
20 549611	Shaft driving dist.top	1	Blade type
21 WB106041L	Washer plain	1)Distributor
22 WM600041L	Washer spring	1)to adaptor
23 253205	Screw 1/4"unc x 9/16"	1)
24 566713	Plug sparking	4	7:1 c/r
RTC4732	Plug sparking	4	8:1 c/r
25 40441	Washer copper&asbestos	4	14r.m

Model MILITARY VEHICLE
Page YWBAPA3A

ENGINE - IGNITION COIL AND FILTER 24VOLT

Ill. Part No.	Description	Qty	Remarks
1 552606	Filter unit	1	
2 589596	Baseplate for filter unit	1	
3 3819	Nut 1/4"bsf filter to baseplate	4	
4 568690	Baseplate for coil and filter unit	1	
5 WM102001L	Washer spring	2)Item 2 to
6 NM108011	Nut M8	2)item 4
7 NH605041L	Nut 5/16"unf	2)Support
8 WM600051L	Washer spring	2)racket and
9 WA108051L	Washer plain	1)coil to
10 SH605051L	Bolt 5/16"unf x 3/4"	2)baseplate
11 RTC613	Washer plain	2)baseplate to
12 273069	Washer sealing	4)rocker cover
13 247121	Dome nut	2)
14 532529	Clip support bracket	1	NLA
15 NH604041L	Nut 1/4"unf	1)Clip and
16 WM600041L	Washer spring	1)retaining
17 SH604041L	Bolt 1/4"unf x 1/2"	1)plate to clip
18 552785	Ignition coil	1)support brt
19 239600	Choke cable clip	1	
20 552531	Retaining plate-choke clip	1	NLA





MILITARY VEHICLE

fiche1
D1

ENGINE

MASTER INDEX

INTRODUCTION AND ALPHABETICAL INDEX	1	ROW B
ENGINE	1	ROW C - D
GEARBOX	1	ROW E
TRANSFER BOX	1	ROW F
AXLES AND SUSPENSION	1	ROW G
STEERING	1	ROW H
VEHICLE AND ENGINE CONTROLS	1	ROW I
BRAKES	1	ROW J
FUEL SYSTEM AND AIR CLEANER	1	ROW K
EXHAUST SYSTEM	1	ROW L
COOLING/HEATING	1	ROW M
BODY ELECTRICAL	1	ROW N - O
INTRODUCTION AND ALPHABETICAL INDEX	2	ROW B
BODY AND CHASSIS	2	ROW C - D
SEATS	2	ROW E
STOWAGE	2	ROW F
MISCELLANEOUS - PAINTS ETC	2	ROW G
NUMERICAL INDEX	2	ROW H
NEW PARTS TO FICHE	2	ROW H

GROUP 8

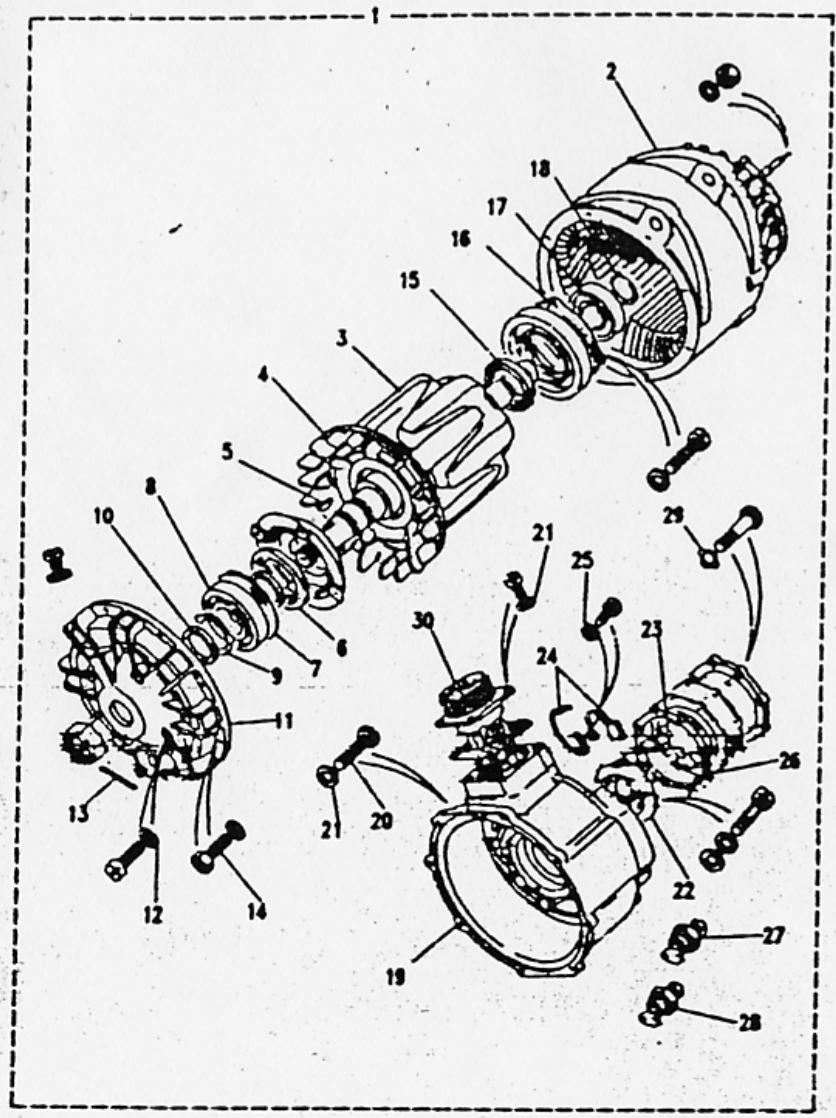
ENGINE

ENGINE		
ENGINE ASSEMBLY 12 & 24 VOLT	1	C2
COVER SIDE	1	C3
CRANKSHAFT PULLEY	1	C4
SUMP	1	C5
COVER FRONT	1	C6
WATER PUMP AND FAN	1	C7
IDLER ASSEMBLY 24VOLT	1	C8
OIL PUMP	1	C9
OIL FILTER	1	C10
CYLINDER HEAD	1	C11
THERMOSTAT & HOUSING	1	C12
CRANKCASE EMISSION CONTROL	1	C13 - C14
MAIN BODY - CARBURETTOR	1	C15
DISTRIBUTOR (EARLY TYPE) 24VOLT	1	C16
DISTRIBUTOR (LATEST TYPE) 24VOLT	1	C17
IGNITION COIL AND FILTER 24VOLT	1	C18
ALTERNATOR 24VOLT	1	D2
ALTERNATOR MOUNTINGS 24VOLT	1	D3
ALTERNATOR/DAMPER PULLEYS & BELTS	1	D4
STARTER MOTOR 24VOLT	1	D5 - D6
STARTER SOLENOID 24VOLT	1	D7

Model MILITARY VEHICLE
Page YWBAPC1A

ENGINE - ALTERNATOR 24VOLT

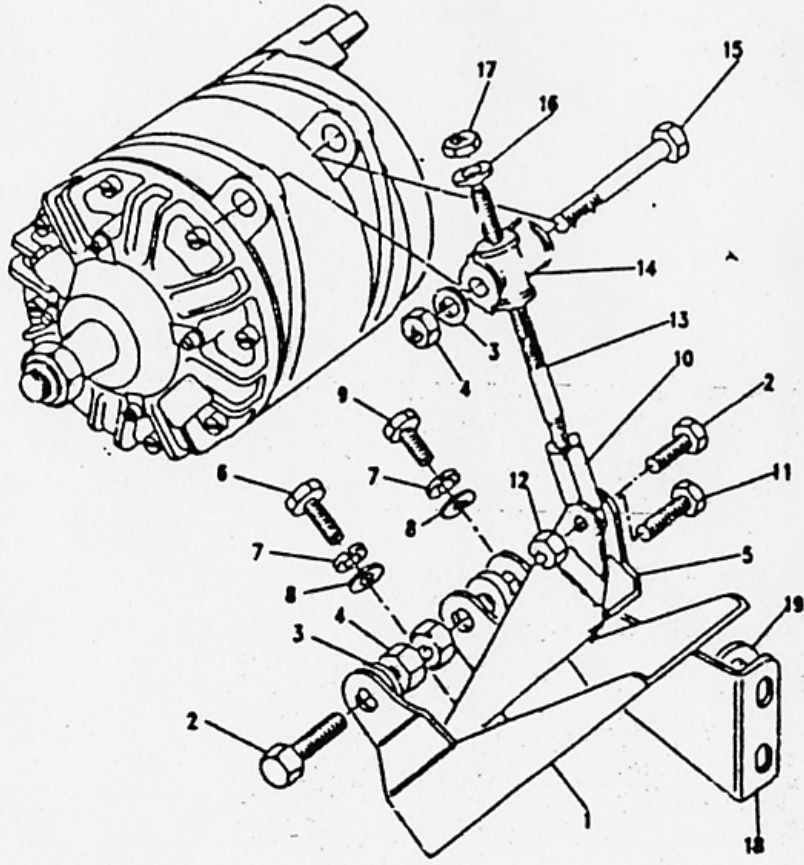
ML Part No.	Description	Qty	Remarks
1	PRC1102	1	Alternator
2	601626	1	Stator assembly
3	601627	1	Rotor & slip rings assy
4	AEU1946	1	Fan
5	RTC1360	1	Key shaft
6	601644	1	Oil seal
7	601648	1	Ring sealing
8	601643	1	Bearing drive end
9	RTC1358	1	Circlip external
10	601646	1	Oil seal
11	601636	1	End shield assy drive end
12	LWZ303	12	Washer locking
13	AEU1087	1	Split pin
14	AEU1085	8	Screw
15	601845	1	Oil seal
16	601849	1	Gasket
17	601642	1	Bearing
18	601653	1	Circlip external
19	AEU1097	1	Endshield assy slip ring end
20	AEU1066	8	Screw
21	LWZ303	16	Washer locking
22	601632	1	Brushgear assembly
23	600825	2	Spring
24	606339	1	Brush kit
25	37H1117	6	Washer
26	601641	1	Gasket
27	601629	3	Diode anode base
28	ABU1520	3	Diode cathode base
29	601647	8	Ring sealing
30	AEU1096	1	Plug



Model MILITARY VEHICLE
Page YWBAPC2A

ENGINE - ALTERNATOR MOUNTINGS 24VOLT

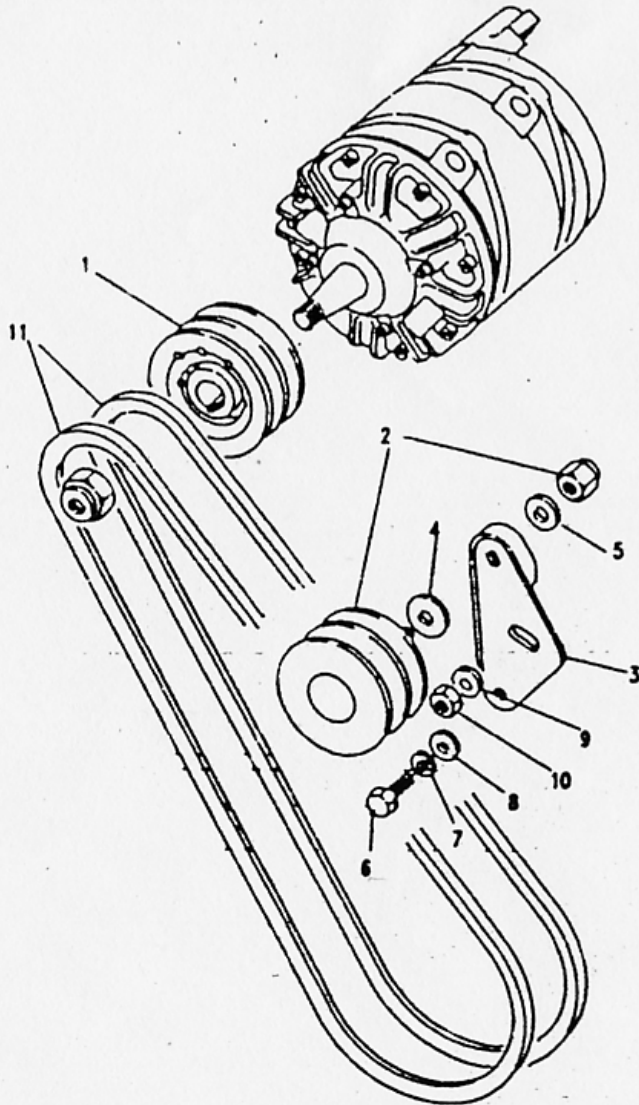
Ill. Part No.	Description	Qty	Remarks
1 ERC9140	Bracket	1	
2 256082	Bolt 1/2"unf x 1.7/8"	2	
3 WC112061L	Washer plain	3	
4 NY606041L	Self locking nut 1/2"unf	2	
5 547752	Anchor bracket	1	
6 SH506081L	Bolt 3/8"unc x 1"	2	
7 WM600061L	Washer spring	4	
8 4890	Washer plain	4	NLA
9 SH506095L	Bolt 3/8"unc x 1.1/8"	2	
10 534368	Locating block	1	
11 BH608141	Bolt 3/8"unf x 1.3/4"	1	
12 NY606041L	Self locking nut 3/8 unf	1	
13 534367	Adjusting rod	1	
14 547692	Adjustment arm	1	
15 BH608041	Bolt 1/2"unf x 4.3/4"	1	NLA
16 RTC611	Washer plain	2	
17 NH607061L	Nut	2	
18 547849	Bracket	1	
19 WA108051L	Washer plain	1	



Model MILITARY VEHICLE
Page YWBAPC3A

ENGINE - ALTERNATOR/DAMPER PULLEYS & BELTS

Ill. Part No.	Description	Qty	Remarks
1 554286	Pulley alternator	1	24 volt
574870	Pulley alternator	1	12 volt
2 554971	Pulley damper	1	
3 587180	Plate mounting	1	
4 4095	Washer plain	1	
5 WB108051L	Washer plain	1	
6 SH505071L	Bolt 5/16"unc x 3/8"	1	
7 3830L	Washer plain	1	
8 WM600051L	Washer spring	1	
9 3830L	Washer plain	1	
10 NY605041L	Nut 5/16"unf nyloc	1	
11 538393	Alternator belt pair	1	24 volt
563132	Alt/fan belt pair	1	12 volt

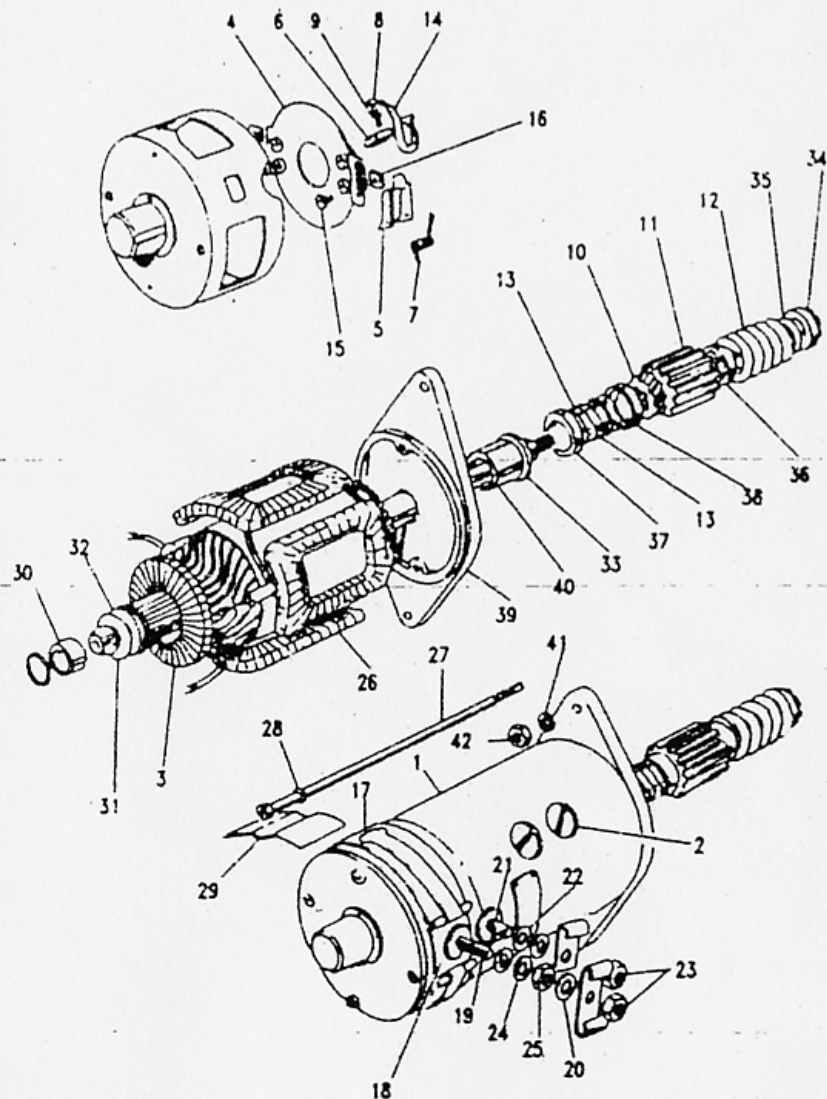




MILITARY VEHICLE

fiche1
D5

ENGINE

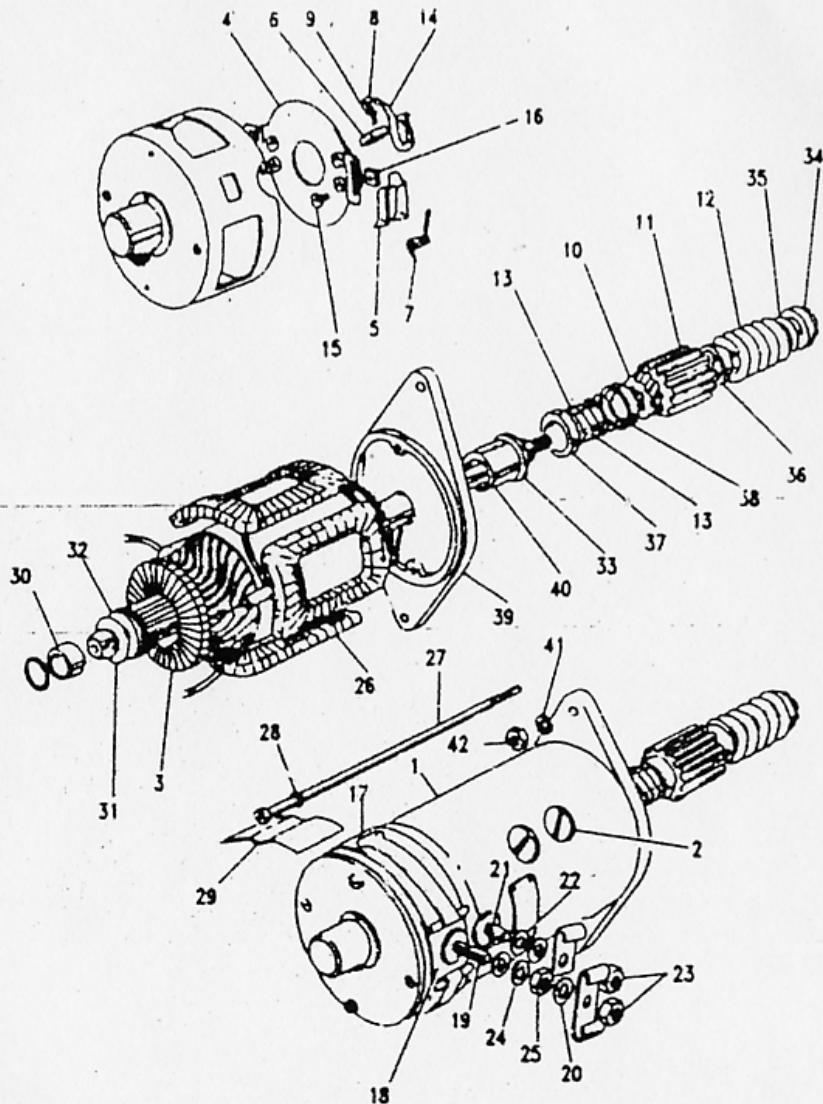


Model MILITARY VEHICLE

Page YWBAPE1A

ENGINE - STARTER MOTOR 24VOLT

III. Part No.	Description	Qty	Remarks
1 90501505	Starter motor	1	
2 600779	Screw 3/8"bsw	4	NLA
3 600757	Armature starter	1	
4 600765	Holder brush gear	1	
5 600767	Holder brush	4	
6 600758	Brush set (comprises 4 brushes)	1	
7 600759	Spring brush	4	
8 600768	Screw 2ba x 9/16" fixing brush	4	
9 WM702001L	Washer spring	4	
10 600760	Sleeve screwed	1	
11 600761	Pinion starter	1	
12 600762	Spring main	1	
13 600763	Spring pinion retaining	1	
14 600766	Lead for brush	2	
15 600769	Screw 2ba x 1/4" fixing brush gear	2	
16 600770	Nut 2ba	2	
17 600771	Cover brush access	1	
18 600772	Clip plate fixing cover	1	NLA
19 600773	Stud terminal positive	1	
20 WB110061L	Washer plain	1	
21 600774	Stud terminal negative	1	
22 WB110061L	Washer plain	2	
23 50526	S/L nut 3/8"bsf	2	
24 WM600061L	Washer spring	2	
25 NH604041L	Nut 3/8"bsf	1	
26 600778	Coil field	4	
27 600780	Bolt through fixing	2	
28 WM600041L	Washer spring	2	
29 600781	Insulator plate	2	NLA
30 600782	Bearing sleeve	1	
31 600783	Washer thrust brass	1	



Model MILITARY VEHICLE
Page YWBAPE1A

ENGINE - STARTER MOTOR 24VOLT

Ill. Part No.	Description	Qty	Remarks
32 600784	Washer thrust steel	1	
33 600785	Washer thrust	1	
34 90607161	Nut armature shaft	1	
35 600786	Distance piece	1	
36 600787	Buffer drive	1	
37 600788	Spring seating	1	
38 600789	Cup for spring	1	
39 600790	End shield	1	
40 600791	Bearing drive end	1	
41 WM600061L	Washer spring	2)Fixing
42 NH606041L	Nut 3/8"unt	2)starter motor



MILITARY VEHICLE

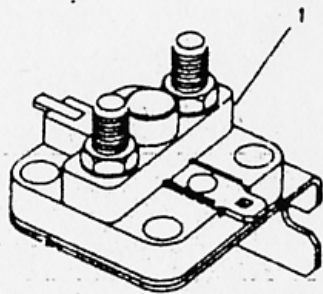
fiche1
D7

ENGINE

Model MILITARY VEHICLE
Page YWBAPE2A

ENGINE - STARTER SOLENOID 24VOLT

III. Part No.	Description	Qty	Remarks
1 AAU2186	Switch starter solenoid	1	
510215	Cable solenoid to starter motor	1	





MILITARY VEHICLE

fiche1
E1

GEARBOX

MASTER INDEX

INTRODUCTION AND ALPHABETICAL INDEX	1	PAGES	ROW B
ENGINE	1	ROW C - D	
GEARBOX	1	ROW E	
TRANSFER BOX	1	ROW F	
AXLES AND SUSPENSION	1	ROW G	
STEERING	1	ROW H	
VEHICLE AND ENGINE CONTROLS	1	ROW I	
BRAKES	1	ROW J	
FUEL SYSTEM AND AIR CLEANER	1	ROW K	
EXHAUST SYSTEM	1	ROW L	
COOLING/HEATING	1	ROW M	
BODY ELECTRICAL	1	ROW N - O	
INTRODUCTION AND ALPHABETICAL INDEX	2	ROW B	
BODY AND CHASSIS	2	ROW C - D	
SEATS	2	ROW E	
STOWAGE	2	ROW F	
MISCELLANEOUS - PAINTS ETC	2	ROW G	
NUMERICAL INDEX	2	ROW H	
NEW PARTS TO FICHE	2	ROW H	

GROUP C

GEARBOX

GEARBOX	
GEARBOX	1 E2
CASING	1 E3
OUTPUT SHAFT	1 E4



**LAND ROVER
PARTS LTD**



MILITARY VEHICLE

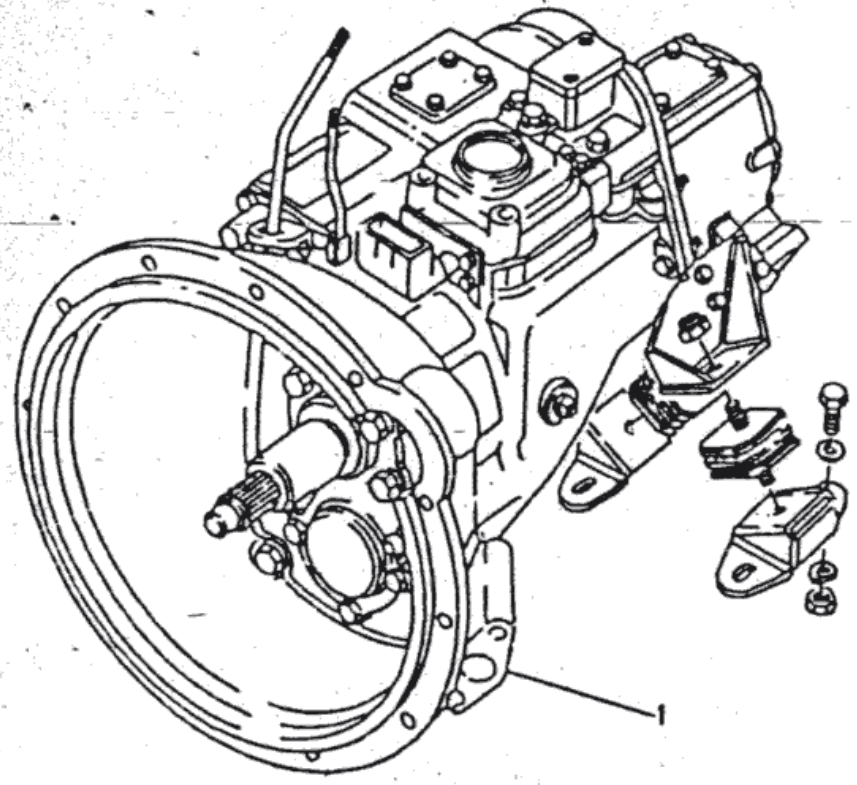
fiche1
E2

GEARBOX

Model MILITARY VEHICLE
Page YWCAAA1A

GEARBOX

M. Part No.	Description	Qty	Remarks
1 RTC2705N	Gearbox assembly	1	



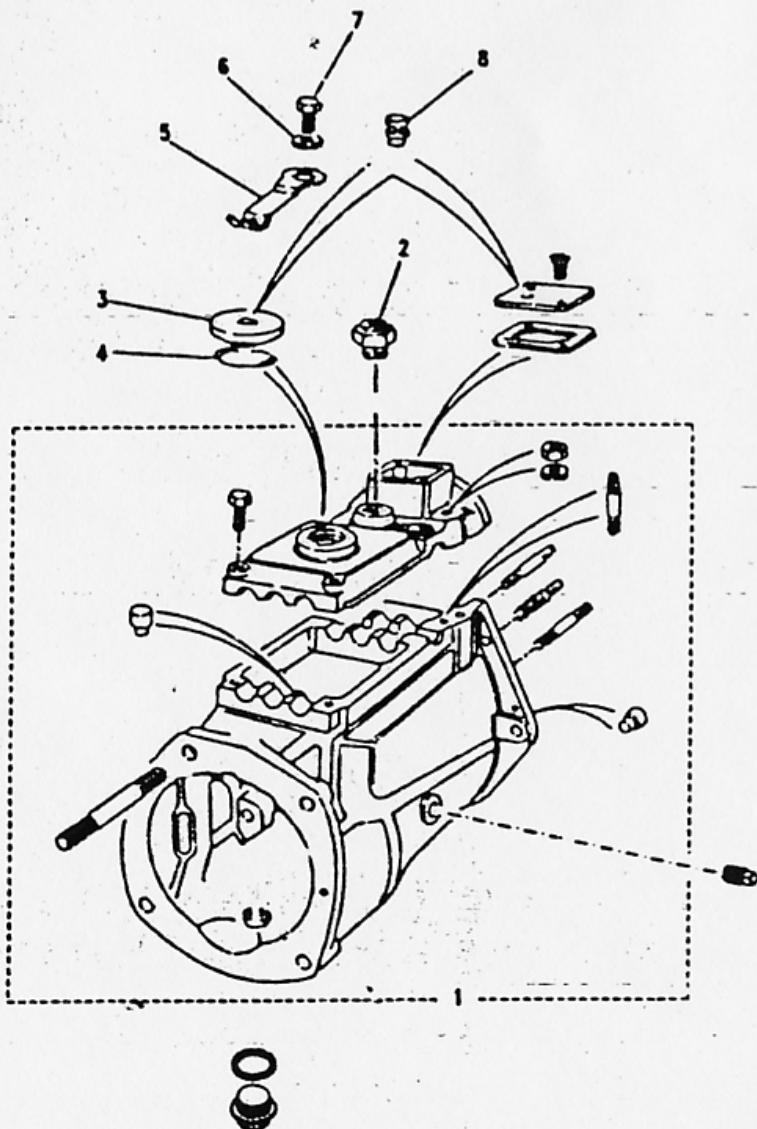
Model MILITARY VEHICLE

Page YWCAEA1A

GEARBOX - CASING

Ill. Part No.	Description	Qty	Remarks
1	FRC7967 Gearbox casing & cover	1	
2	533354 Plug selector spring top	1	
3	90576693 Oil filler cap	1	Upto May 1981
	FRC4080 Oil filler cap	1	From May 1981
4	571251 O ring for oil filler	1	
5	6419 Retaining spring for filler cap	1	Upto May 1981
	FRC4081 Retaining spring for filler cap	1	From May 1981
6	RTC609 Washer plain	1	Note(1)
7	90215789 Bolt 1/4 x .45"	1	Note(1)
8	22G1941 Breather	1	

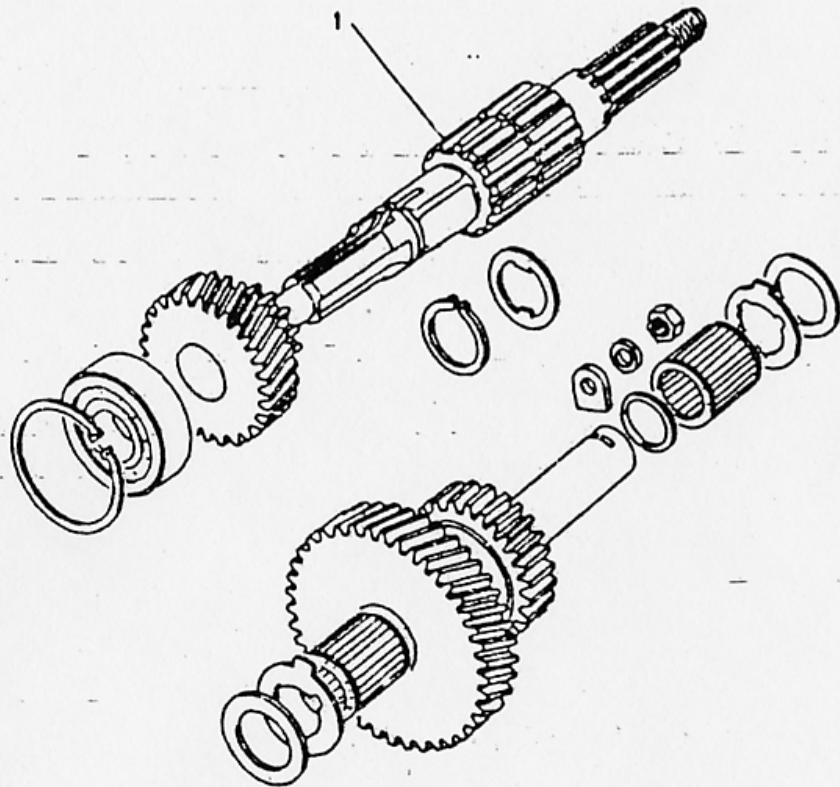
Note(1) Retaining spring to selector spring plug



Model MILITARY VEHICLE
Page YWCA111A

GEARBOX - OUTPUT SHAFT

HL Part No.	Description	Qty	Remarks
1 235985	Output shaft stepped	1	





MILITARY VEHICLE

fiche1
F1

TRANSFER BOX

MASTER INDEX

INTRODUCTION AND ALPHABETICAL INDEX
 ENGINE
 GEARBOX
 TRANSFER BOX
 AXLES AND SUSPENSION
 STEERING
 VEHICLE AND ENGINE CONTROLS
 BRAKES
 FUEL SYSTEM AND AIR CLEANER
 EXHAUST SYSTEM
 COOLING/HEATING
 BODY ELECTRICAL
 INTRODUCTION AND ALPHABETICAL INDEX
 BODY AND CHASSIS
 SEATS
 STOWAGE
 MISCELLANEOUS - PAINTS ETC
 NUMERICAL INDEX
 NEW PARTS TO FICHE

PAGES
 1 ROW B
 1 ROW C - D
 1 ROW E
 1 ROW F
 1 ROW G
 1 ROW H
 1 ROW I
 1 ROW J
 1 ROW K
 1 ROW L
 1 ROW M
 1 ROW N - O
 2 ROW B
 2 ROW C - D
 2 ROW E
 2 ROW F
 2 ROW G
 2 ROW H
 2 ROW H

TRANSFER BOX
 TRANSFER CASING

GROUP D

TRANSFER BOX

1 F2



LAND ROVER
PARTS LTD



MILITARY VEHICLE

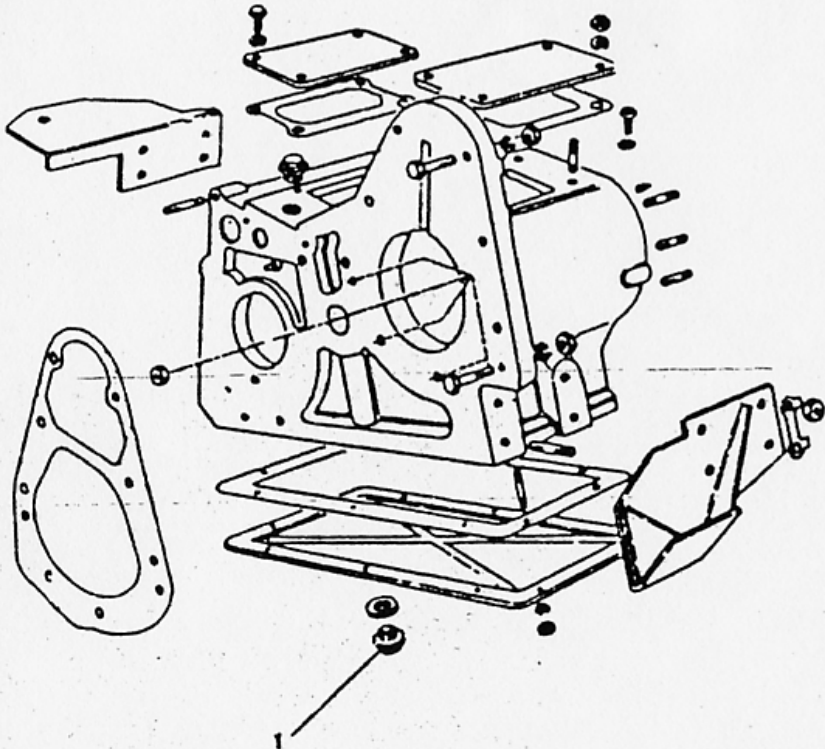
fiche1
F2

TRANSFER BOX

Model MILITARY VEHICLE
Page YWDACA1A

GEARBOX - TRANSFER CASING

Ill. Part No.	Description	Qty	Remarks
1 540870	Plug for transfer box	1	





MASTER INDEX

	PAGES
INTRODUCTION AND ALPHABETICAL INDEX	1 ROW B
ENGINE	1 ROW C D
GEARBOX	1 ROW E
TRANSFER BOX	1 ROW F
AXLES AND SUSPENSION	1 ROW G
STEERING	1 ROW H
VEHICLE AND ENGINE CONTROLS	1 ROW I
BRAKES	1 ROW J
FUEL SYSTEM AND AIR CLEANER	1 ROW K
EXHAUST SYSTEM	1 ROW L
COOLING/HEATING	1 ROW M
BODY ELECTRICAL	1 ROW N - O
INTRODUCTION AND ALPHABETICAL INDEX	2 ROW B
BODY AND CHASSIS	2 ROW C - D
SEATS	2 ROW E
STORAGE	2 ROW F
MISCELLANEOUS - PAINTS ETC	2 ROW G
NUMERICAL INDEX	2 ROW H
NEW PARTS TO FICHE	2 ROW H

GROUP E

AXLES AND SUSPENSION

AXLES AND SUSPENSION

PROPSHAFT - REAR	1 G2
AXLE - FRONT	1 G3
AXLE CASE - FRONT	1 G4
SHAFT & HUB DRIVING MEMBER - FRONT	1 G5
AXLE - REAR	1 G6
AXLE CASE - REAR	1 G7
SHAFT & HUB DRIVING MEMBER - REAR	1 G8
SPRINGS ROAD FRONT	1 G9
SPRING U BOLTS & BOTTOM PLATES FRONT	1 G10 - G11
SHOCK ABSORBERS	1 G12
SPRINGS ROAD REAR	1 G13
SPRING U BOLTS & BOTTOM PLATES REAR	1 G14





MILITARY VEHICLE

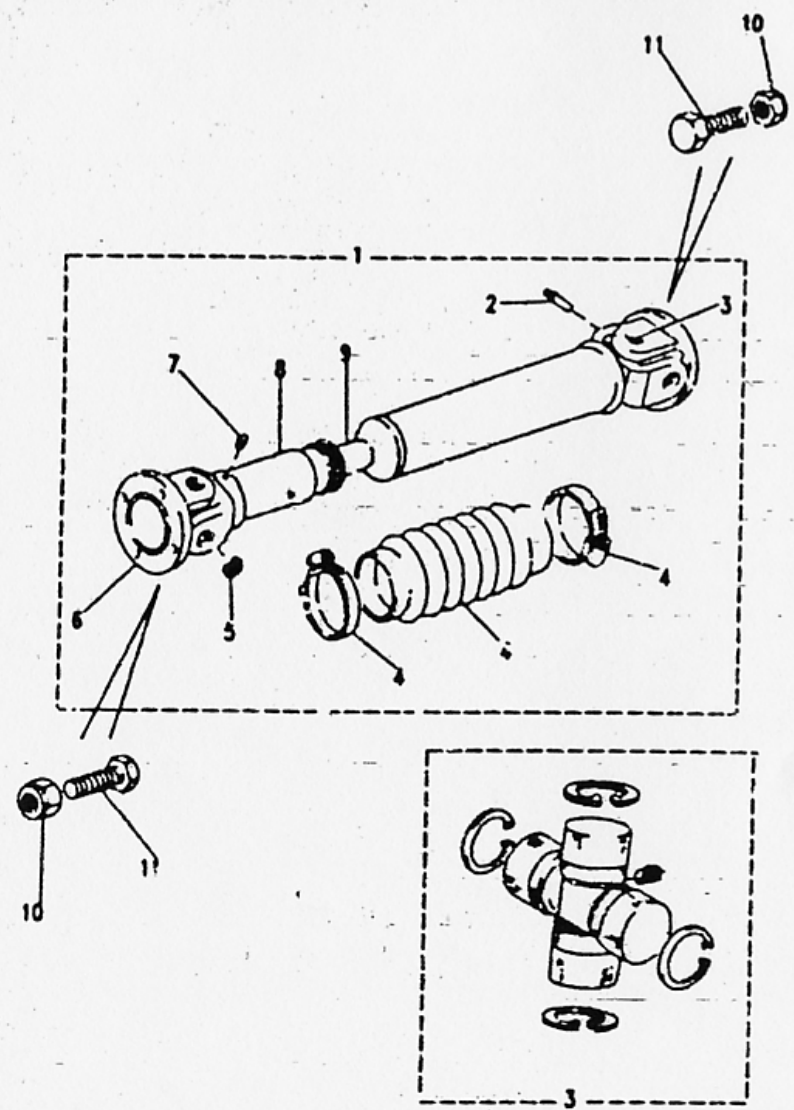
fiche1
G2

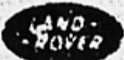
AXLES AND SUSPENSION

Model MILITARY VEHICLE
Page YWEXAC1A

AXLES & SUSPENSION - PROPSHAFT - REAR

Ill. Part No.	Description	Qty	Remarks
1	553004	1	Propshaft rear
2	548229	1	Nipple grease
3	RTC3348	2	Joint universal
4	276484	1	Gaiter and tips
5	242522	8	Circlip for flange
6	600656	2	Flange
7	234532	1	Nipple grease
8	8407L	1	Splined end
9	601790	1	Shaft splined stub
10	NZ608041L	8	Nut 3/8"unf
11	509045P	8	Bolt 3/8"unf x 1.1/8"





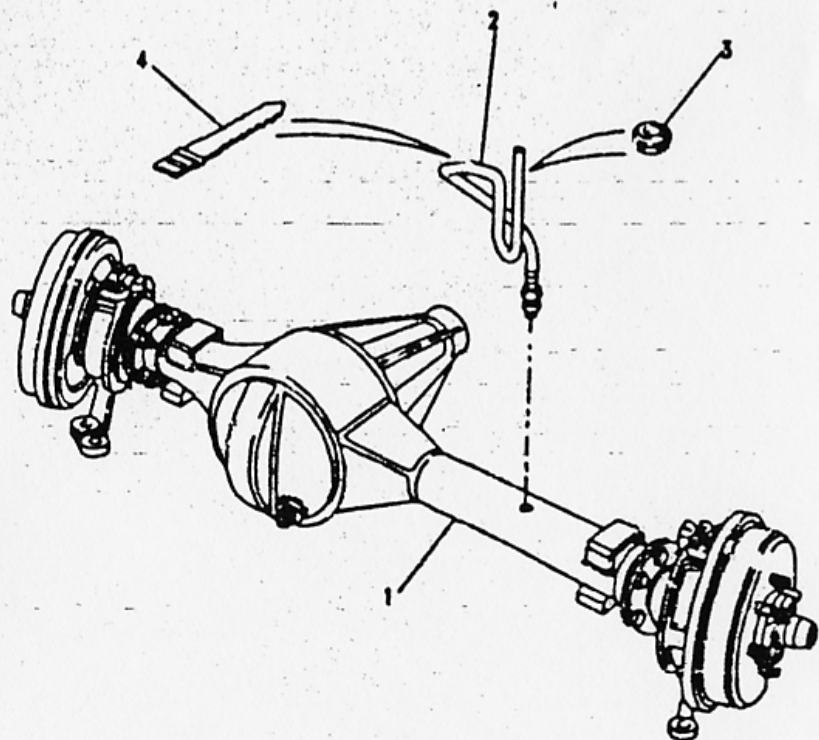
Model MILITARY VEHICLE
Page YWEXCA1A

AXLES & SUSPENSION - AXLE - FRONT

M. Part No.	Description	Qty	Remarks
1 FRC3382	Axle assy front RH stg	1	Note(1)
FRC3383	Axle assy front LH stg	1	Note(1)
2 595396	Pipe breather remote	1	
3 235113	Grommet in no.2	1	
4 RTC222	Crossmember		
	Clasit, breather pipe to brake pipe	1	
	Gaiter kit swivel housing	1	
278954			

Note(1)

Axle assemblies FRC3382/3 peculiar to the 1/2 ton Land Rover are no longer available and are superseded to the basic Series III axle assemblies FRC4396/7





MILITARY VEHICLE

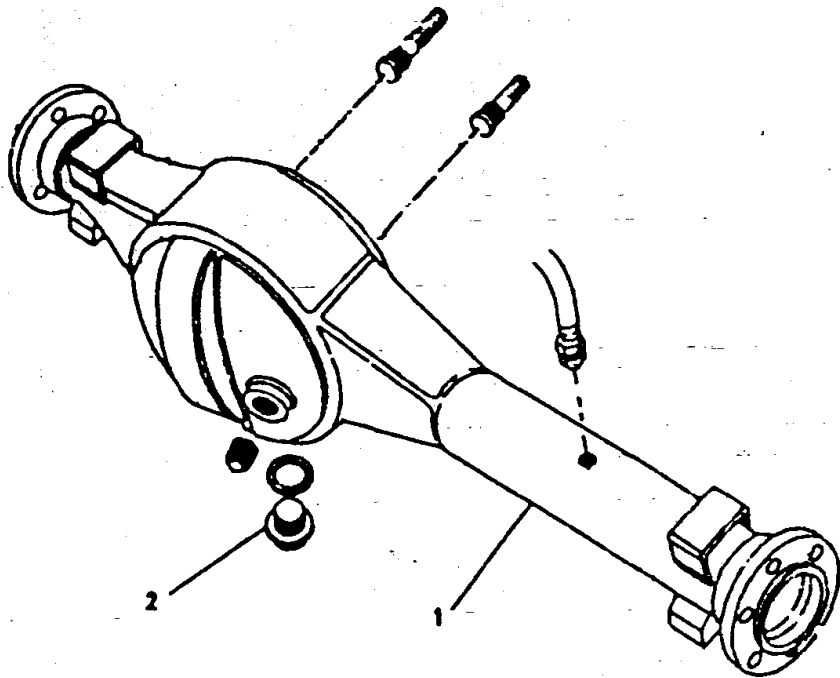
fiche1
G4

AXLES AND SUSPENSION

Model MILITARY VEHICLE
Page YWEXCC1A

AXLES & SUSPENSION - AXLE CASE - FRONT

Ill. Part No.	Description	Qty	Remarks
1 FRC3366	Axle case front	1	
2 608248	Plug drain	1	

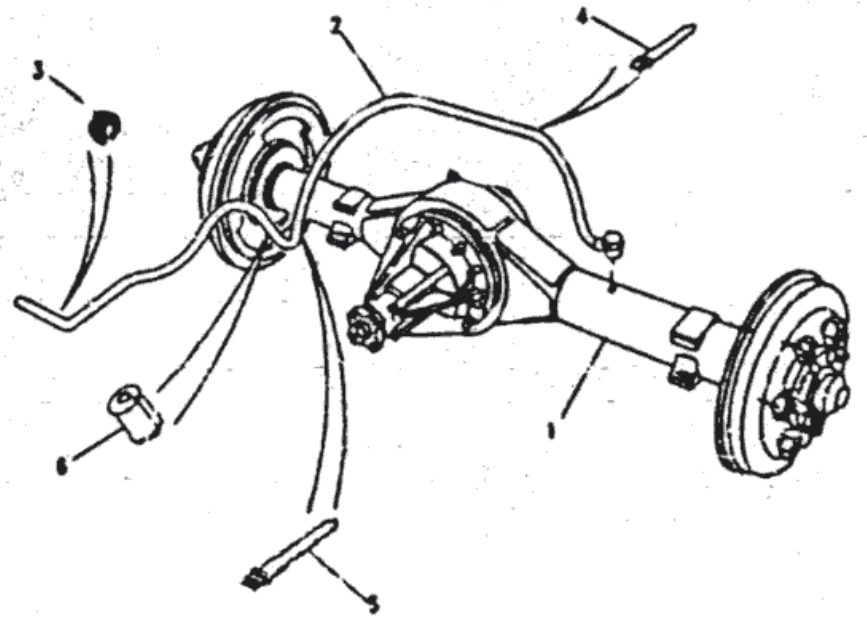




Model MILITARY VEHICLE
Page YWEXEA1A

AXLES & SUSPENSION - AXLE - REAR

ML Part No.	Description	Qty	Remarks
1 FRC3388	Axle assembly rear	1	Note(1)
2 595473	Pipe remote breather	1	
3 312858	Grommet chassis sidemember	1	
4 RTC222	Cleat	4)Breather pipe
5 240429	Cleat	1)to brake pipe
6 272512	Grommet breather pipe	1	

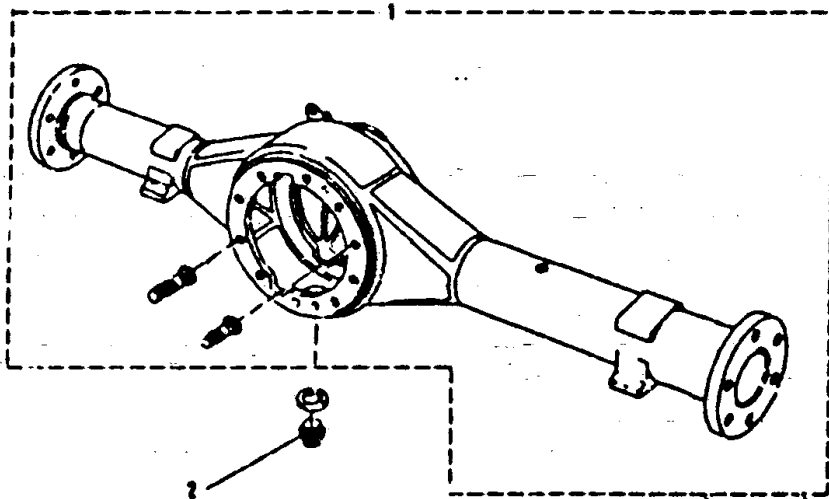


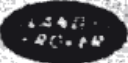
Note(1) Axle assembly FRC3388 peculiar to the 1/2 ton Land Rover is no longer available and is superseded to the basic Series III 88" axle assembly FRC7298

Model MILITARY VEHICLE
Page YWEXEC1A

AXLES & SUSPENSION - AXLE CASE - REAR

Ill. Part No.	Description	Qty	Remarks
1 FRC3367	Axle case rear	1	
2 808246	Plug drain	1	

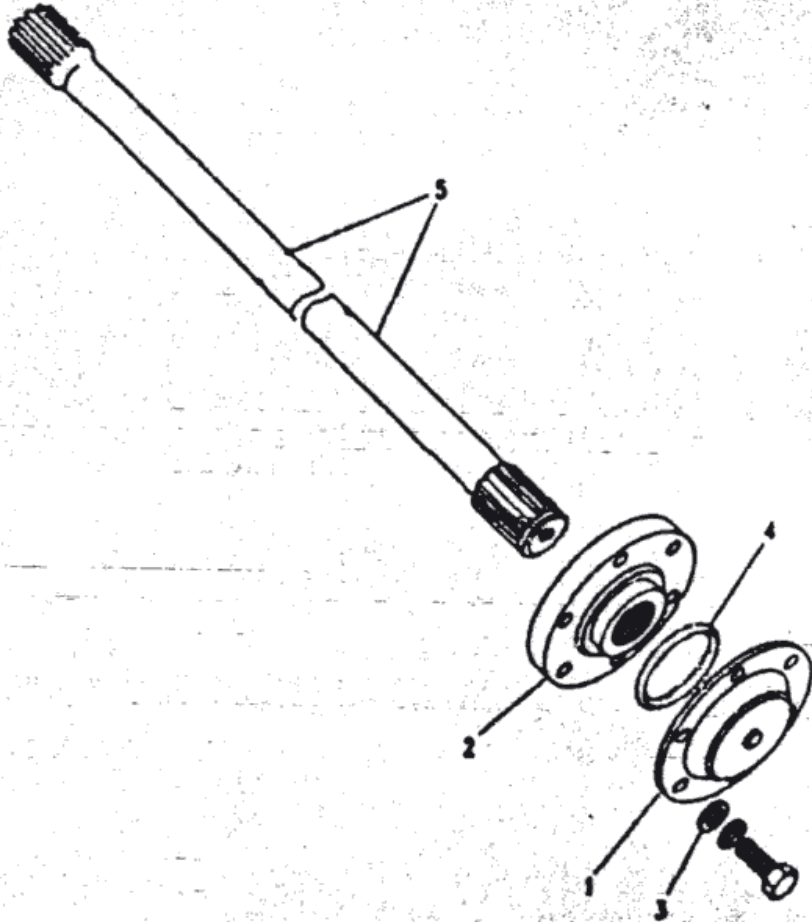




Model MILITARY VEHICLE
Page YWEXE1A

AXLES & SUSPENSION - SHAFT & HUB DRIVING MEMBER - REAR

Ill. Part No.	Description	Quantity	Remarks
1 571323	Cap & stud assembly	2	
2 90571321	Hub driving member	2	
3 WB110061L	Washer plain-driving member to cap and stud	12	
4 561981	O-ring-cap & stud to driving member	2	
5 506531	Shaft axle rear LH	1	
506530	Shaft axle rear RH	1	



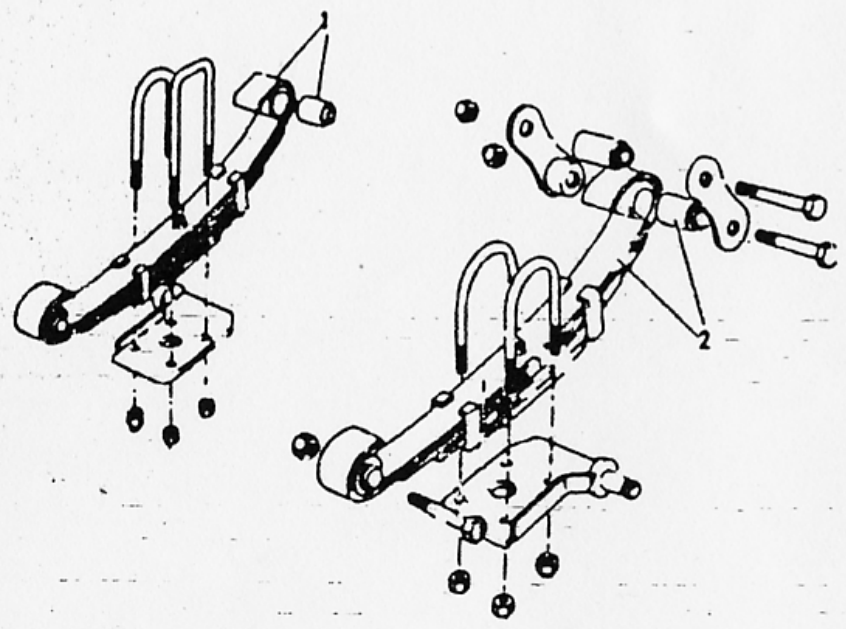


Model MILITARY VEHICLE
Page YWEX0C1A

SUSPENSION - SPRINGS ROAD FRONT

Ill. Part No.	Description	Qty	Remarks
1 562623	Front spring drivers side	1	Note (1)
562627	Front spring drivers side	1	Note (2)
2 562624	Front spring passeng.side	1	Note (1)
562628	Front spring passeng.side	1	Note (2)

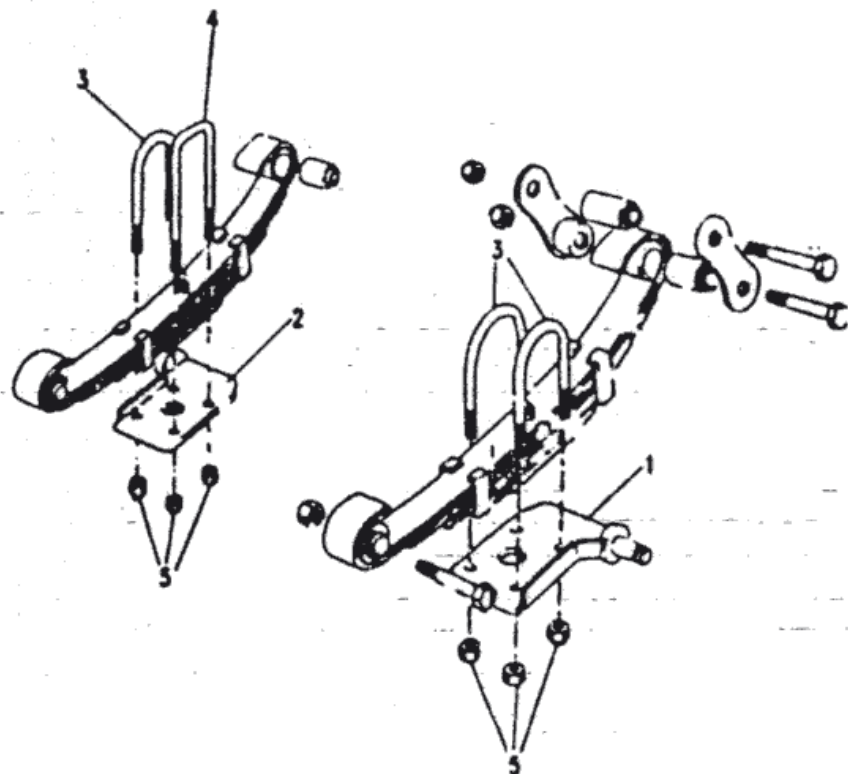
Note(1) Applicat: vehicles up to contract number WV11367 item 1
 Note(2) Applicat: vehicles from contract number WV11367 item 2 including
 FVE--- C 13



Model MILITARY VEHICLE

Page YWEXC2A

SUSPENSION - SPRING U BOLTS & BOTTOM PLATES FRONT



Ill. Part No.	Description	Qty	Remarks
1 559636	Plate spring bottom front LH	1	Note (1)
624077	Plate spring bottom front LH	1	Note (2)
NRC3696	Plate spring bottom front LH	1	Note (6)
2 559643	Plate spring bottom front RH	1	Note (1)
624078	Plate spring bottom front RH	1	Note (2)
NRC3696	Plate spring bottom front RH	1	Note (6)
3 562640	U Bolt front plate	3	Note (1)
562641	U Bolt front plate	3	Note (3)
624030	U Bolt front plate	3	Note (5)
NRC5002	U Bolt front plate	3	Note (6)
4 562636	U Bolt front plate	1	Note (1)
562637	U Bolt front plate	1	Note (3)
624036	U Bolt front plate	1	Note (5)
NRC5007	U Bolt front plate	1	Note (6)

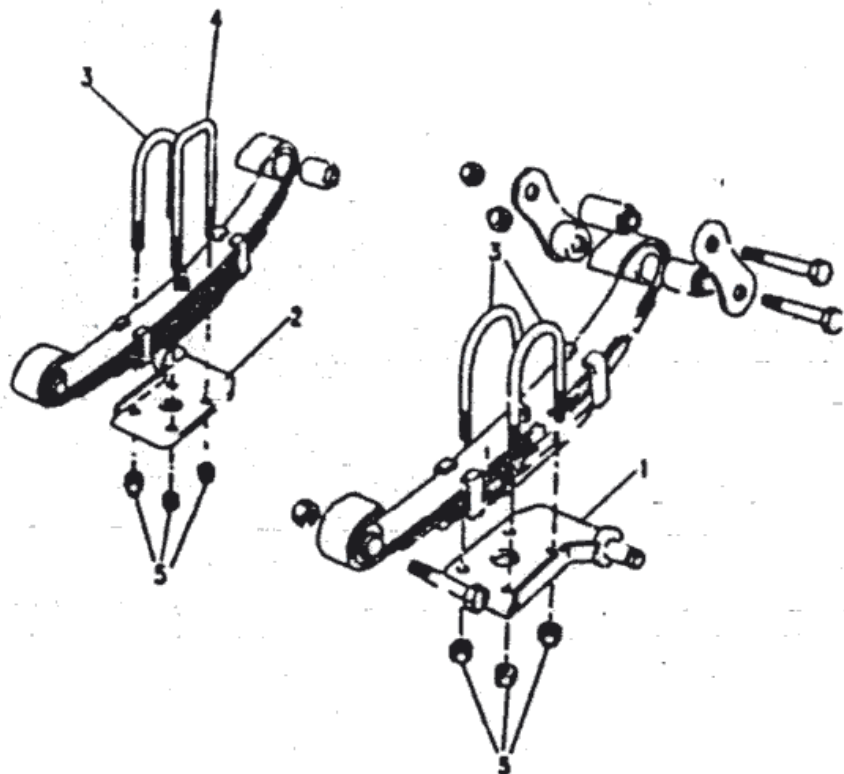
Model MILITARY VEHICLE

Page YWEXIC2A

SUSPENSION - SPRING U BOLTS & BOTTOM PLATES FRONT

ML Part No.	Description	Qty	Remarks
5 251323	Nut 7/16"bal	8	Note (4)
NY112041L	Nut M12	8	Note (7)

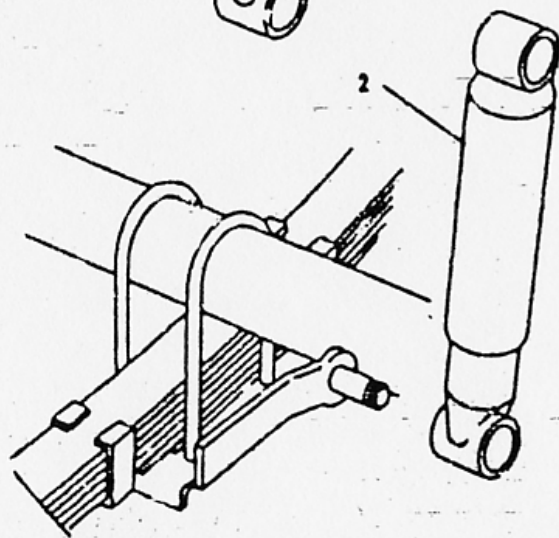
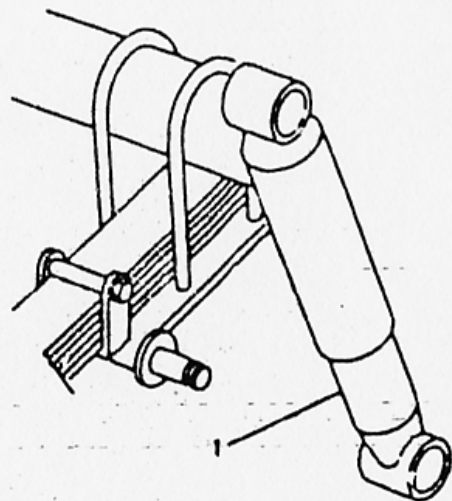
- Note(1) Applicable to 12Volt vehicle contracts WV10787 to WV11367 item 1 inclusive
- Note(2) Applicable to 12 and 24Volt vehicle contracts WV11367 item 2 to FVE22A/115 inclusive
- Note(3) Applicable to 24Volt vehicle contracts WV10775 to WV11430 inc.
- Note(4) Applicable to U Bolt part numbers 562636/7 and 562640/1
- Note(5) Applicable to 12Volt vehicle contracts WV11367 item 2 to FVE/115 inclusive and 24Volt vehicle contracts WV11701 to FVE22A/95 inclusive
- Note(6) Applicable to vehicles built 1980 commencing front axle serial numbers RHstg 20106564E and LHstg 20410264E
- Note(7) Applicable to U Bolt part numbers 624030/6 and NRC50C2/7



Model MILITARY VEHICLE
Page YWEXC3A

SUSPENSION - SHOCK ABSORBERS

M. Part No.	Description	Qty	Remarks
1 RTC4235	Shock absorber rear	2	
2 RTC4483	Shock absorber front	2	





MILITARY VEHICLE

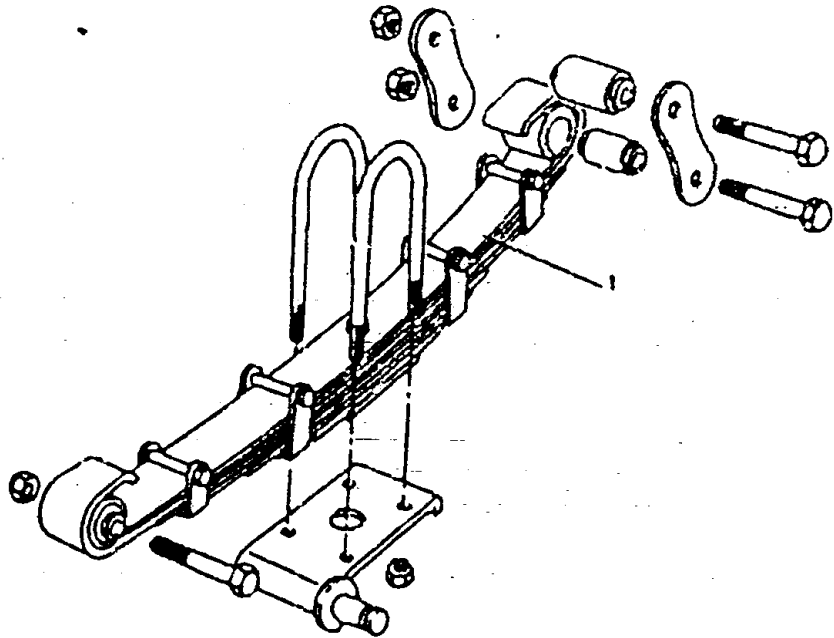
fiche1
G13

AXLES AND SUSPENSION

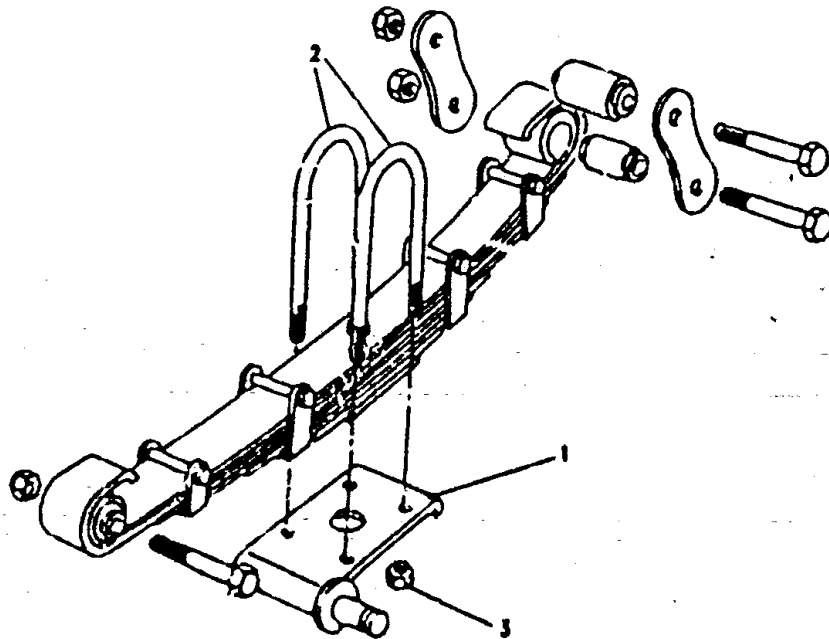
Model MILITARY VEHICLE
Page YWEXXC1A

SUSPENSION - SPRINGS ROAD REAR

M. Part No.	Description	Qty	Remarks
1 582631	Rear spring drivers side	1	
582632	Rear spring passeng. side	1	



Model MILITARY VEHICLE
Page YWEXXC2A

SUSPENSION - SPRING U BOLTS & BOTTOM PLATES REAR


M. Part No.	Description	Qty	Remarks
1 624064	Plate spring bottom rear LH	1) Note (2)
90624063	Plate spring bottom rear RH	1	
NRC3897	Plate spring bottom rear LH	1) Note (3)
NRC3898	Plate spring bottom rear RH	1	
2 562835	U Bolt plate rear	4	Note (1)
624028	U Bolt plate rear	4	Note (2)
NRC3886	U Bolt plate rear	4	Note (3)
3 251323	Nut 7/16" bel	8	Note (1)
NY112041L	Nut M12	8	Note (4)

Note(1) Applicable to 12Volt vehicle contracts WV10787 to WV11367 item 1 inclusive and 24Volt vehicle contracts WV10775 to WV11430 inclusive

Note(2) Applicable to 12Volt vehicle contracts WV11367 item 2 to FVE22A/115 inclusive and 24Volt vehicle contracts WV11701 to FVE22A/95 inclusive

Note(3) Applicable to vehicles built from 1980 commencing rear axle serial number 20412996

Note(4) Applicable to U bolt part numbers 624028 and NRC3886



MASTER INDEX

INTRODUCTION AND ALPHABETICAL INDEX	1	ROW B
ENGINE	1	ROW C - D
GEARBOX	1	ROW E
TRANSFER BOX	1	ROW F
AXLES AND SUSPENSION	1	ROW G
STEERING	1	ROW H
VEHICLE AND ENGINE CONTROLS	1	ROW I
BRAKES	1	ROW J
FUEL SYSTEM AND AIR CLEANER	1	ROW K
EXHAUST SYSTEM	1	ROW L
COOLING/HEATING	1	ROW M
BODY ELECTRICAL	1	ROW N - O
INTRODUCTION AND ALPHABETICAL INDEX	2	ROW B
BODY AND CHASSIS	2	ROW C - D
SEATS	2	ROW E
STOWAGE	2	ROW F
MISCELLANEOUS - PAINTS ETC	2	ROW G
NUMERICAL INDEX	2	ROW H
NEW PARTS TO FICHE	2	ROW H

GROUP F

STEERING

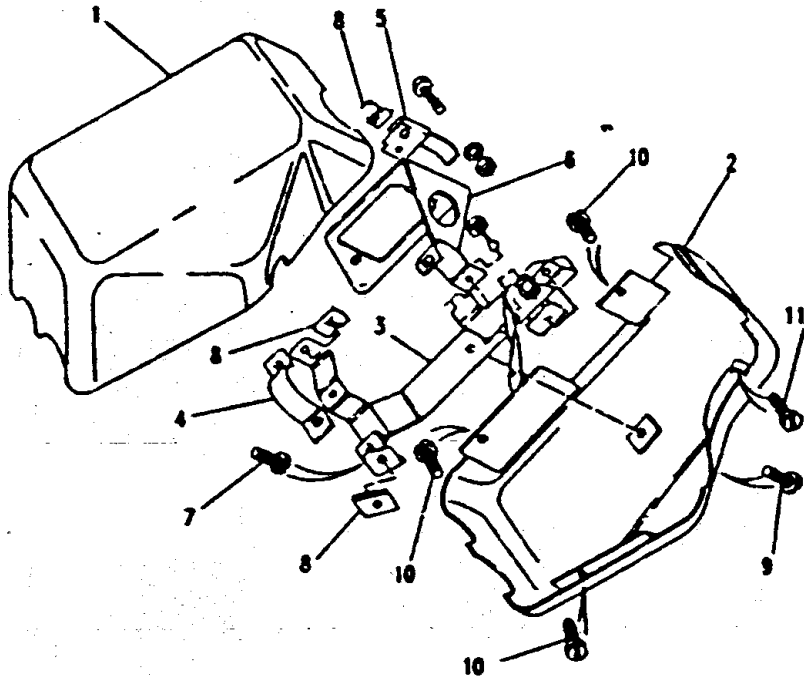
STEERING

COLUMN SHROUD
COLUMN MOUNTING

1 H2
1 H3

Model MILITARY VEHICLE
Page YWFXCA1A

STEERING - COLUMN SHROUD

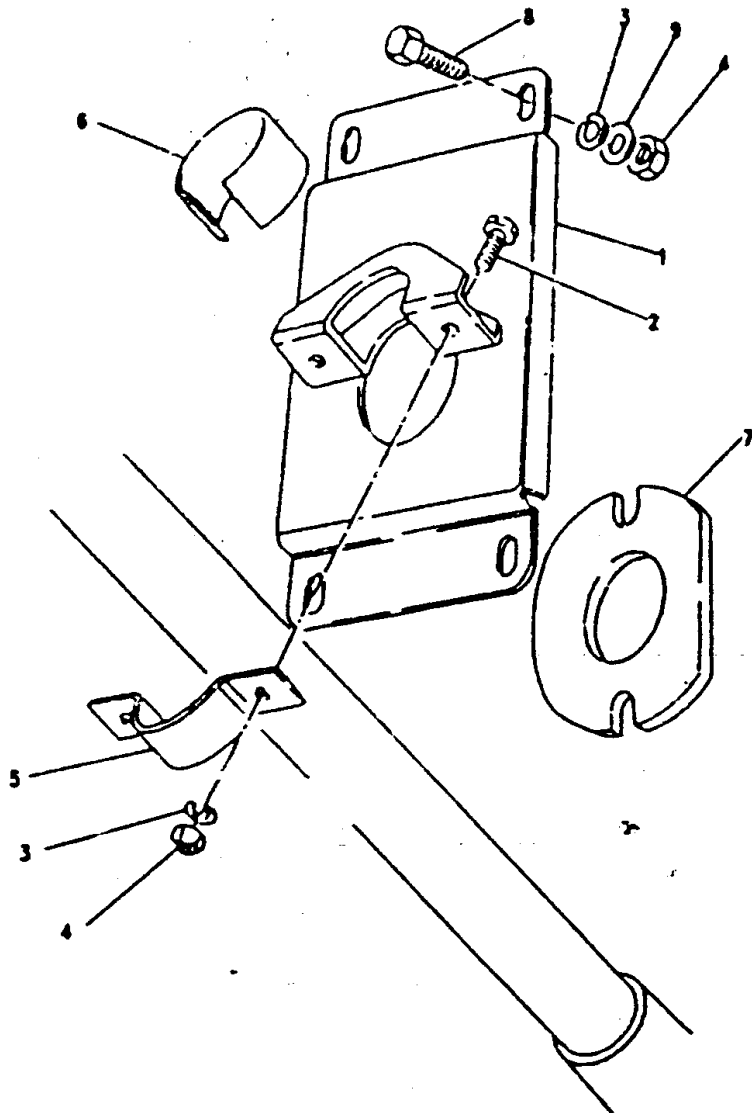


ML Part No.	Description	Qty	Remarks
1 348468	Shroud upper	1	
2 348469	Shroud lower	2	
3 589682	Bracket shroud to column	1	
4 579292	Saddle bracket	1	
5 579454	Bracket shroud to fuse mounting bracket	1	
6 589271	Mounting bracket for fuse unit	1	
7 SP910201L	Screw 10unf x 5/8" saddle bracket	1	
8 PFSS10L	Spire fixing	4	
9 78829	Screw 10unf x 1/2"	1)Shroud to
10 AB610041L	Screw 10 x 1/2"	3)brackets
11 AB610055	Drive screw No.10 x 5/8"	1)

Model MILITARY VEHICLE
Page YWFKEA1A

STEERING - COLUMN MOUNTING

M. Part No.	Description	Qty	Remarks
1 335661	Bracket support assembly	1	
2 604071L	1/4"unf x 7/8	2)Clip to
3 WWS00041L	Washer spring	2)bracket
4 NH604041L	Nut 1/4"unf	2)
5 335660	Clip	1	
6 349747	Rubber strip-steering column clamp	1	
7 MRC4867	Sealing pad	1	
8 255208	Bolt 1/4"unf x 5/8"	4)Support brkt
9 3831L	Washer plain	8)to dash





MILITARY VEHICLE

fiche1
11

VEHICLE AND ENGINE CONTROLS

MASTER INDEX

INTRODUCTION AND ALPHABETICAL INDEX	
ENGINE	1
GEARBOX	1
TRANSFER BOX	1
AXLES AND SUSPENSION	1
STEERING	1
VEHICLE AND ENGINE CONTROLS	1
BRAKES	1
FUEL SYSTEM AND AIR CLEANER	1
EXHAUST SYSTEM	1
COOLING/HEATING	1
BODY ELECTRICAL	1
INTRODUCTION AND ALPHABETICAL INDEX	1
BODY AND CHASSIS	2
SEATS	2
STOWAGE	2
MISCELLANEOUS - PAINTS ETC	2
NUMERICAL INDEX	2
NEW PARTS TO FICHE	2

PAGES	
ROW B	1
ROW C - D	1
ROW E	1
ROW F	1
ROW G	1
ROW H	1
ROW I	1
ROW J	1
ROW K	1
ROW L	1
ROW M	1
ROW N - O	1
ROW B	2
ROW C - D	2
ROW E	2
ROW F	2
ROW G	2
ROW H	2
ROW H	2

GROUP G

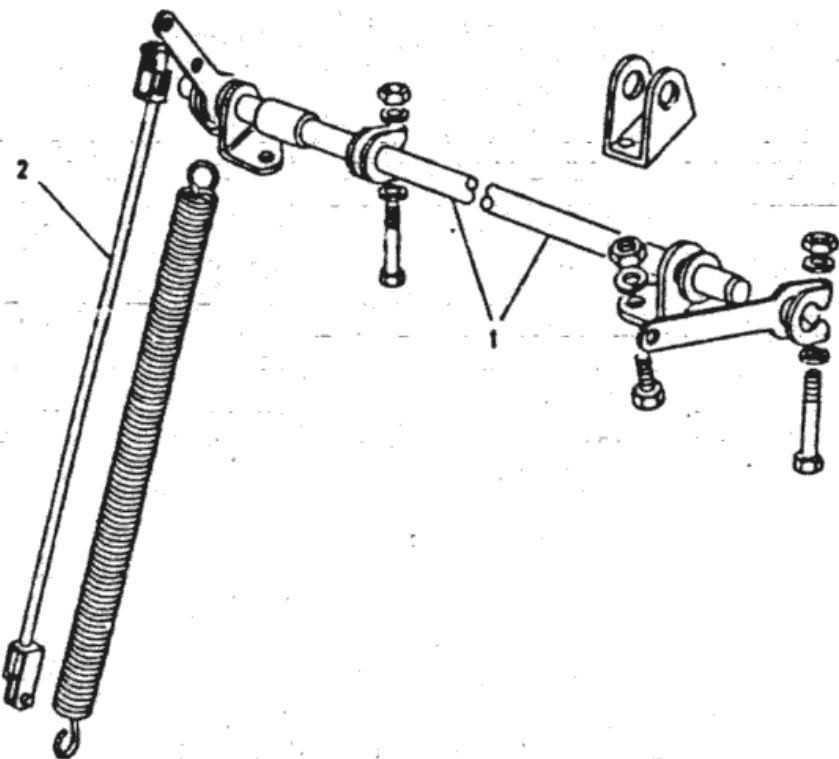
VEHICLE AND ENGINE CONTROLS

VEHICLE AND ENGINE CONTROLS	
CROSS SHAFT	1 12
BELL CRANK AND CONTROL ROD	1 13
HAND THROTTLE	1 14

Model MILITARY VEHICLE
Page YWGXA1A

ACCELERATOR - CROSS SHAFT

ML Part No.	Description	Qty	Remarks
1 577158	Shaft cross accelerator	1	RHstg
277153	Shaft cross accelerator	1	LHstg
2 562840	Rod control pedal shaft to relay	1	NLA





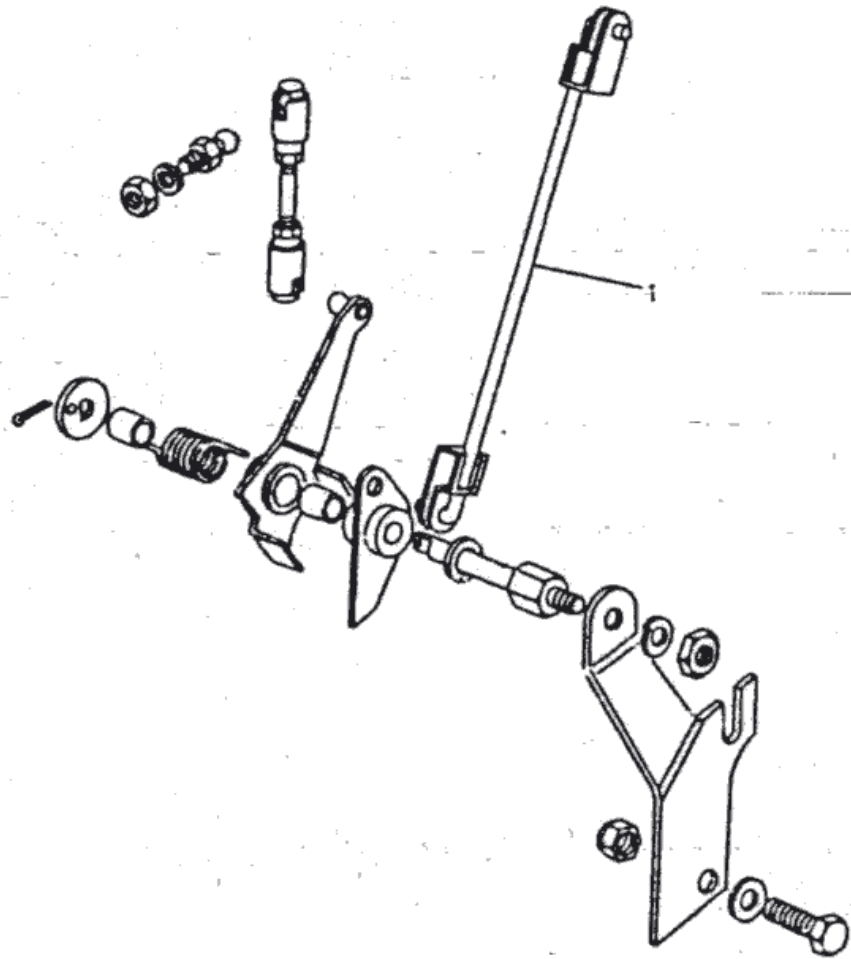
MILITARY VEHICLE

fiche1
13

VEHICLE AND ENGINE CONTROLS

Model MILITARY VEHICLE
Page YWGXAA2A

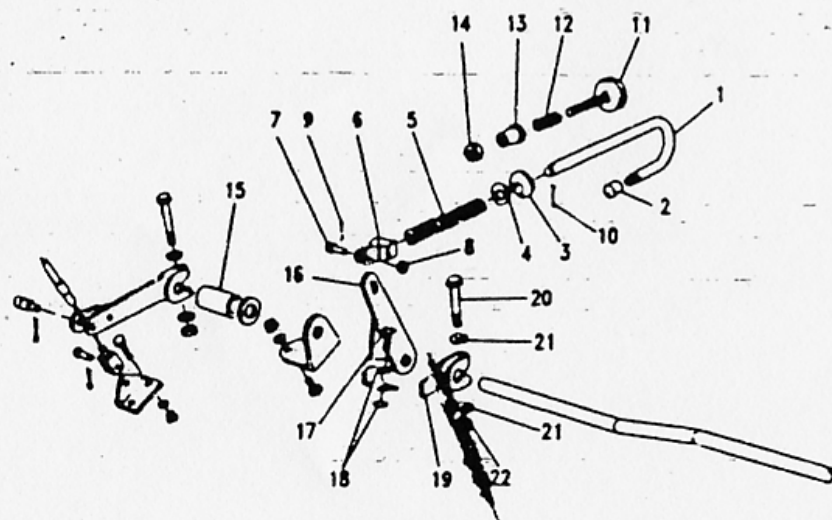
ACCELERATOR - BELL CRANK AND CONTROL ROD



Ill. Part No.	Description	Qty	Remarks
1 577230	Rod control relay to engine	1	RHstg & LHstg

Model MILITARY VEHICLE

Page YWGXA1A

FUEL - HAND THROTTLE


ML Part No.	Description	Qty	Remarks
1 569107	Hand throttle control rod	1	
2 569479	Protection cover	1	
3 70742	Grommet	1	
4 RTC809	Washer plain	1	
5 569110	Spring	1	
6 568979	Fork end	1	
7 569009	Clevis pin	1	
8 WA702101L	Washer plain	1	
9 3958L	Split pin	1	
10 3359	Split pin	1	
11 569108	Adjusting screw	1	NLA
12 569109	Spring	1	NLA
13 514929	Riv nut	1	
14 NY604041L	Lock nut	1	
15 592306	Distance piece	1	
16 592380	Lever	1	
17 SH910241L	Bolt 10unf x 5/8"	1	RHD only
18 HN2005L	Nut 10unf	2	RHD only
19 577127	Cross shaft lever	1	LHD only
20 BH604101L	Bolt 1/4"unf x 1.1/4"	1	LHD only
21 3912	Washer plain	2	LHD only nla
22 NH604041L	Nut 1/4"unf	1	LHD only



MILITARY VEHICLE

fiche1
J1

BRAKES

MASTER INDEX

INTRODUCTION AND ALPHABETICAL INDEX	1	ROW B
ENGINE	1	ROW C - D
GEARBOX	1	ROW E
TRANSFER BOX	1	ROW F
AXLES AND SUSPENSION	1	ROW G
STEERING	1	ROW H
VEHICLE AND ENGINE CONTROLS	1	ROW I
BRAKES	1	ROW J
FUEL SYSTEM AND AIR CLEANER	1	ROW K
EXHAUST SYSTEM	1	ROW L
COOLING/HEATING	1	ROW M
BODY ELECTRICAL	1	ROW N - O
INTRODUCTION AND ALPHABETICAL INDEX	2	ROW B
BODY AND CHASSIS	2	ROW C - D
SEATS	2	ROW E
STOWAGE	2	ROW F
MISCELLANEOUS - PAINTS ETC	2	ROW G
NUMERICAL INDEX	2	ROW H
NEW PARTS TO FICHE	2	ROW H

GROUP H

BRAKES

BRAKES

MASTER CYLINDER, SERVO & SHUTTLE VALVE

1 J2



LAND ROVER
PARTS LTD

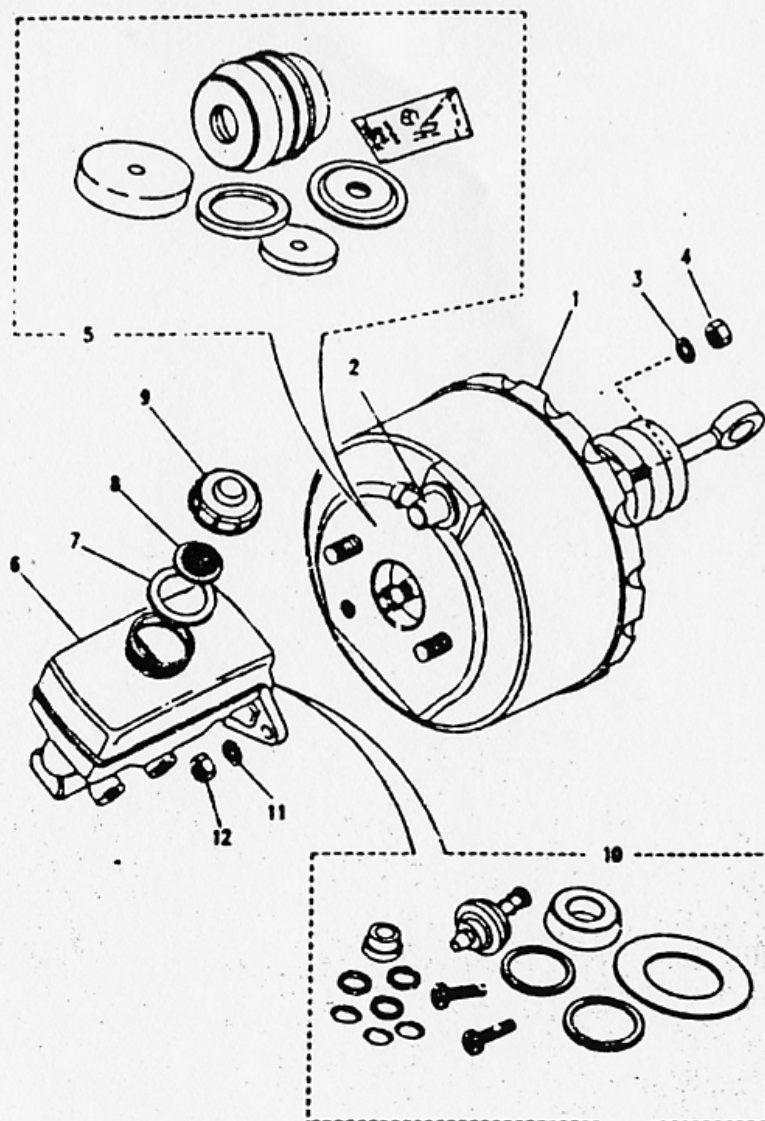
Model MILITARY VEHICLE
Page YWHXAA1A

BRAKES - MASTER CYLINDER, SERVO & SHUTTLE VALVE

Pl. Part No.	Description	Qty	Remarks
DUAL LINE BRAKING SYSTEM (UP TO JULY 1980)			
1 569338	Servo unit	1	Note (1)
2 18G8953L	Valve non-return and grommet	1	
3 GHF332	Washer spring	4	
4 GHF201	Nut 5/16unf	4	
5 18G8951L	Kit servo unit overhaul	1	
6 569671	Master cylinder	1	Note (1)
7 264767	Seal	1	
8 592324	Filter	1	
9 606420	Cap filler	1	
10 90806+22	Kit master cylinder overhaul	1	
11 11966	Washer spring	2	
12 GHF202	Nut 3/8unf	2	
599443	Valve shuttle	1	

Note(1)

From July 1980 please refer to dual line system in series 3 civilian fiche/catalogue for these items.





MILITARY VEHICLE

fiche1
K1

FUEL SYSTEM AND AIR CLEANER

MASTER INDEX

INTRODUCTION AND ALPHABETICAL INDEX	1	PAGES
ENGINE	1	ROW B
GEARBOX	1	ROW C - D
TRANSFER BOX	1	ROW E
AXLES AND SUSPENSION	1	ROW F
STEERING	1	ROW G
VEHICLE AND ENGINE CONTROLS	1	ROW H
BRAKES	1	ROW I
FUEL SYSTEM AND AIR CLEANER	1	ROW J
EXHAUST SYSTEM	1	ROW K
COOLING/HEATING	1	ROW L
BODY ELECTRICAL	1	ROW M
INTRODUCTION AND ALPHABETICAL INDEX	1	ROW N - O
BODY AND CHASSIS	2	ROW B
SEATS	2	ROW C - D
STOWAGE	2	ROW E
MISCELLANEOUS - PAINTS ETC	2	ROW F
NUMERICAL INDEX	2	ROW G
NEW PARTS TO FICHE	2	ROW H

GROUP J

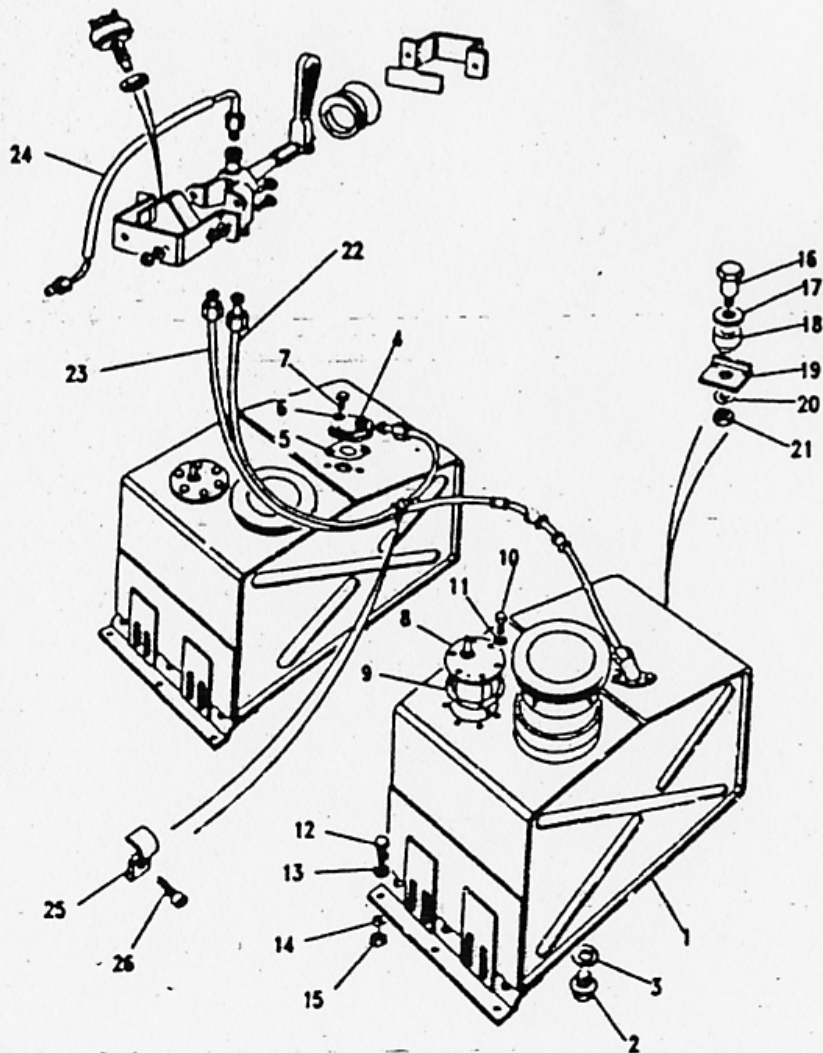
FUEL SYSTEM AND AIR CLEANER

FUEL SYSTEM AND AIR CLEANER TANKS AND FITTINGS

1 K2



LAND ROVER
PARTS LTD



Model MILITARY VEHICLE
Page YWJXAA1A

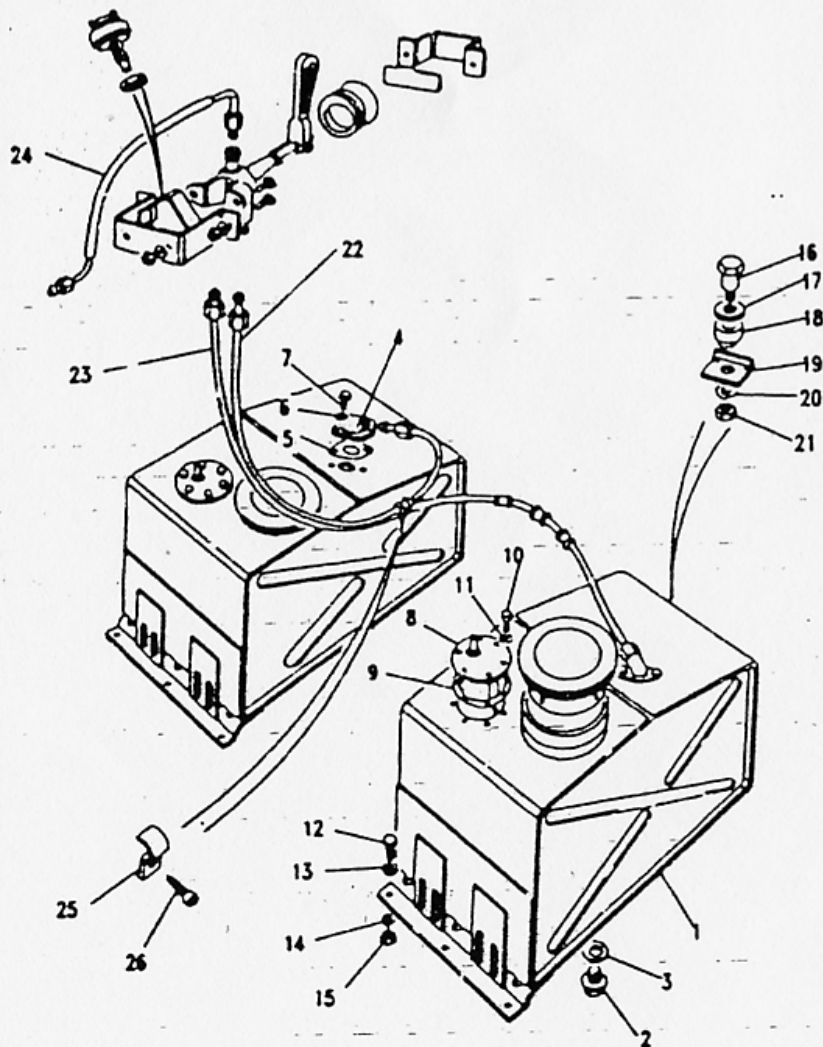
FUEL SYSTEM - TANKS AND FITTINGS

Ill.	Part No.	Description	Qty	Remarks
1	STC613	Fuel tank complete	2	
	569006	Cap filter	2	
	NRC8836	Gasket filter cap	2	
2	540870	Plug drain	2	
3	515599	Washer joint drain plug	2	
4	NRC6905	Fuel feed elbow and pipe	2	
5	267837	Washer joint for elbow	2	
6	3101	Washer Spring	4)Fuel feed
7	3972	Set screws	4)to tank
8	560757	Fuel tank gauge unit	2	Note(1)
	90560612	Fuel tank gauge unit	2	Note(2)
9	RTC1148	Washer gauge unit	2	
10	3890	Set screw 3ba x 3/8"	12)Fixing unit
11	3101	Washer spring	12)to tank
12	SH6C5081L	Bolt 5/16"unf x 3/4"	6)
13	3830L	Washer plain	12)Securing front
14	WM600051L	Washer spring	6)of fuel tank
15	NH605041L	Nut	6)to chassis
16	543803	Bolt 5/16"unf x 1.1/2"	2)Securing rear
17	2265L	Washer	2)of fuel tank
18	90508545	Rubber bush	4)to chassis
19	543806	Stiffener plate	2)
20	WM600051L	Washer spring	2)
21	NH605041L	Nut	2)
22	90577529	Fuel pipe tank to 2 way	1	Tap rh
23	NRC2228	Fuel pipe tank to 2 way	1	Tap lh
	56866	Clip	4)Left hand
	78929	Screw 10unf x 1/2"	6)fuel pipe to
	WM702001L	Washer spring	6)heelboard
	AEU1448	Clip	1)
	HN2005L	Nut	6)
	362459	Bracket	1) (NLA)
	WA702101L	Washer plain	1)
24	90577531	Fuel pipe tap to f/pump	1	



Model MILITARY VEHICLE
Page YWJXAA1A

FUEL SYSTEM - TANKS AND FITTINGS



Ill. Part No.	Description	Qty	Remarks
25 216708	Clip fuel pipes to	2	Sidemembers
26 78322	Drive screw clip to	1	Chassis
BAU1689	Clip	1)Pipe tap to
255206	Screw 1/4"unf x 5/8"	1)pump to no.3
WM600041L	Washer spring	1)crossmember
NH604041L	Nut 1/4"unf	1)
PRC2685	Cable fuel c/o switch to	1	From Oct.1960
	Main harness		
RTC222	Cleat cable to toe box	1	

Note(1) 24Volt sender unit to be used with 24Volt gauge (552615) part of capillary 24Volt grouped instrument panel.

Note(2) Applicable to all 12Volt vehicles and 24Volt vehicles from the introduction of electrical type grouped instrument panel (PRC1777)



MILITARY VEHICLE

fiche1
L1

EXHAUST SYSTEM

MASTER INDEX

INTRODUCTION AND ALPHABETICAL INDEX	1	PAGES
ENGINE	1	ROW B
GEARBOX	1	ROW C - D
TRANSFER BOX	1	ROW E
AXLES AND SUSPENSION	1	ROW F
STEERING	1	ROW G
VEHICLE AND ENGINE CONTROLS	1	ROW H
BRAKES	1	ROW I
FUEL SYSTEM AND AIR CLEANER	1	ROW J
EXHAUST SYSTEM	1	ROW K
COOLING/HEATING	1	ROW L
BODY ELECTRICAL	1	ROW M
INTRODUCTION AND ALPHABETICAL INDEX	1	ROW N - O
BODY AND CHASSIS	2	ROW B
SEATS	2	ROW C - D
STOWAGE	2	ROW E
MISCELLANEOUS - PAINTS ETC	2	ROW F
NUMERICAL INDEX	2	ROW G
NEW PARTS TO FICHE	2	ROW H

GROUP K

EXHAUST SYSTEM

EXHAUST SYSTEM
EXHAUST SYSTEM

1 L2



LAND ROVER
PARTS LTD



MILITARY VEHICLE

fiche1
L2

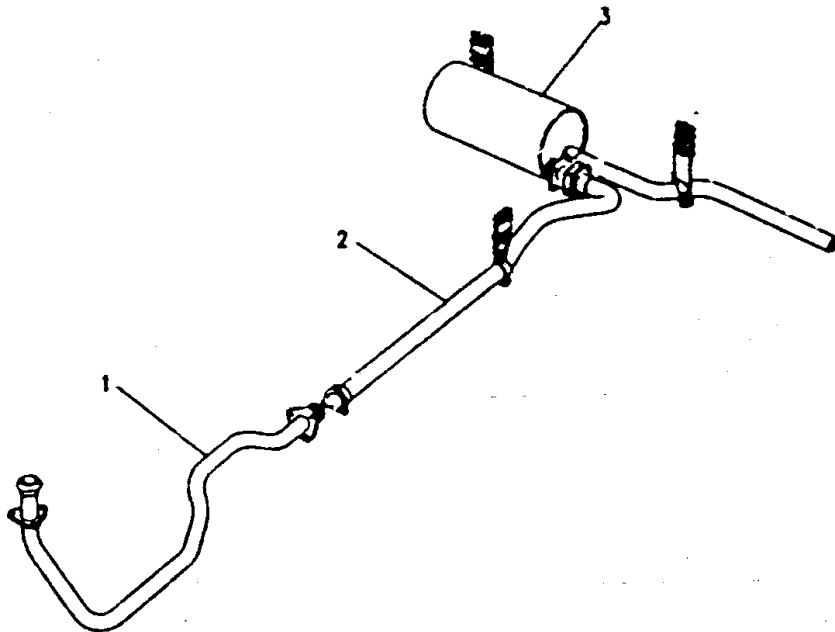
EXHAUST SYSTEM

Model MILITARY VEHICLE
Page YWXXXXA1A

EXHAUST SYSTEM

M. Part No.	Description	Qty	Remarks
1 517469	Pipe exhaust front	1	
2 264195	Pipe exhaust intermediate	1	
3 90569118	Silencer complete	1	RH stg
526735	Silencer complete	1	LH stg

Note(1) LH stg Silencer illustrated





MILITARY VEHICLE

fiche1
M1

COOLING/HEATING

MASTER INDEX

INTRODUCTION AND ALPHABETICAL INDEX	1	ROW B
ENGINE	1	ROW C - D
GEARBOX	1	ROW E
TRANSFER BOX	1	ROW F
AXLES AND SUSPENSION	1	ROW G
STEERING	1	ROW H
VEHICLE AND ENGINE CONTROLS	1	ROW I
BRAKES	1	ROW J
FUEL SYSTEM AND AIR CLEANER	1	ROW K
EXHAUST SYSTEM	1	ROW L
COOLING/HEATING	1	ROW M
BODY ELECTRICAL	1	ROW N - O
INTRODUCTION AND ALPHABETICAL INDEX	2	ROW B
BODY AND CHASSIS	2	ROW C - D
SEATS	2	ROW E
STOWAGE	2	ROW F
MISCELLANEOUS - PARTS ETC	2	ROW G
NUMERICAL INDEX	2	ROW H
NEW PARTS TO FICHE	2	ROW H

GROUP L

COOLING/HEATING

COOLING/HEATING HEATER

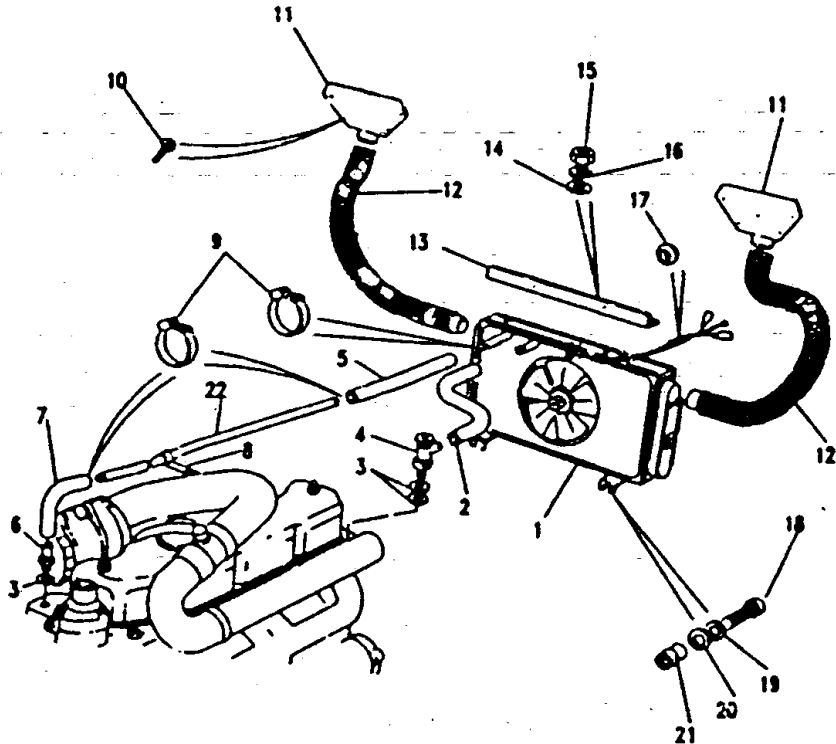
1 M2



LAND ROVER
PARTS LTD

Model MILITARY VEHICLE
Page YWLXGA1A

COOLING & HEATING - HEATER



Ill. Part No.	Description	Qty	Remarks
1	MTC3871	1	24 volt
	346225	1	12 volt
2	569329	1	
3	213960	1	
4	88G588L	3	
5	569328	1	
6	564923	1	
	ERC9453	1	
7	569155	1	Metric thread
8	569157	1	
9	CN100258	6	
10	AB606C22L	8	
11	346246	2	
12	345581	2	
13	346359	1	
14	WA106041L	2	
15	NH604041L	2	
16	WM600041L	2	
17	233243	1	
18	78348	2	
19	WM702001L	2	
20	4030	2	
21	79239	2	
22	90577209	1	



MILITARY VEHICLE

fiche1
N1

BODY ELECTRICAL

MASTER INDEX

	PAGES
INTRODUCTION AND ALPHABETICAL INDEX	1 ROW B
ENGINE	1 ROW C - D
GEARBOX	1 ROW E
TRANSFER BOX	1 ROW F
AXLES AND SUSPENSION	1 ROW G
STEERING	1 ROW H
VEHICLE AND ENGINE CONTROLS	1 ROW I
BRAKES	1 ROW J
FUEL SYSTEM AND AIR CLEANER	1 ROW K
EXHAUST SYSTEM	1 ROW L
COOLING/HEATING	1 ROW M
BODY ELECTRICAL	1 ROW N - O
INTRODUCTION AND ALPHABETICAL INDEX	2 ROW B
BODY AND CHASSIS	2 ROW C - D
SEATS	2 ROW E
STOWAGE	2 ROW F
MISCELLANEOUS - PAINTS ETC	2 ROW G
NUMERICAL INDEX	2 ROW H
NEW PARTS TO FICHE	2 ROW H

GROUP M

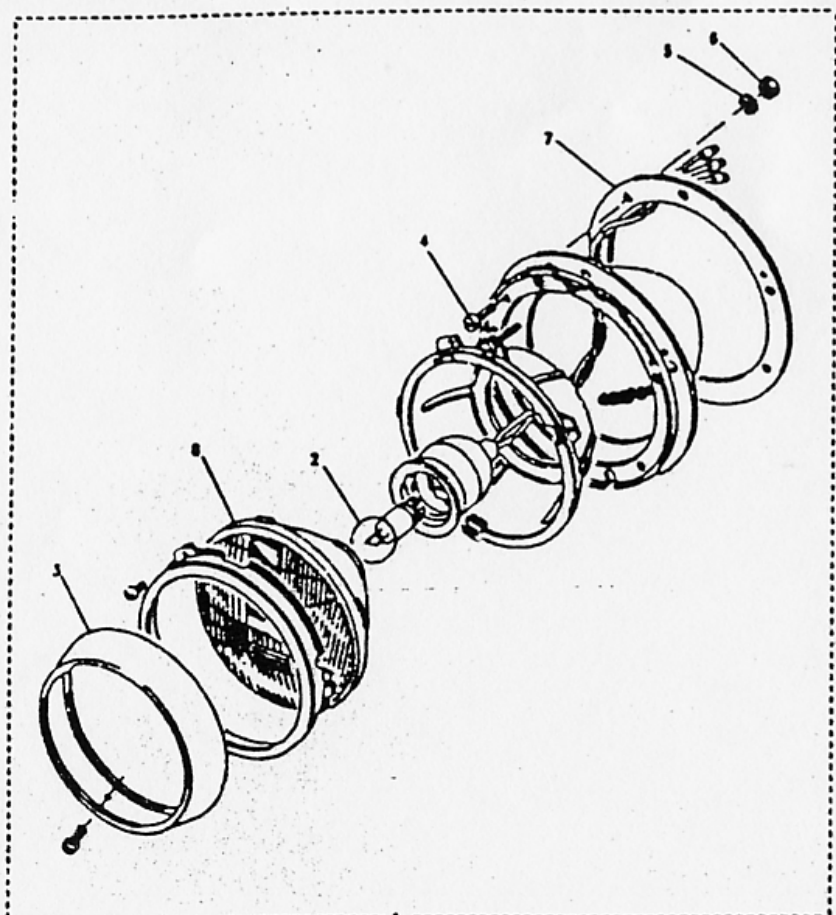
BODY ELECTRICAL

BODY ELECTRICAL	
HEADLAMP VERTICAL DIP	1 N2
HEADLAMP SIDE DIP	1 N3
LAMPS FRONT AND REAR	1 N4 - N5
BATTERIES VEHICLE 24VOLT	1 N6
BATTERY BO. (UP TO SEPT 79) 24VOLT	1 N7
BATTERY BOX (SEPT 79 ONWARDS) 24VOLT	1 N8
HARNESS - MAIN - RH STG	1 N9
HARNESS - MAIN - LH STG	1 N10
HARNESS - CHASSIS	1 N11
HARNESS - ENGINE	1 N12
GENERATOR PANEL 24VOLT	1 N13
SHUNT BOX 24VOLT	1 N14
BONDING LEADS 24 VOLT	1 N15
CHARGING SYSTEM 24 VOLT (FROM 1978)	1 N16
SWITCH HEADLAMP DIP/INDICATOR & HORN	1 N17
SWITCH PANEL MAIN	1 N18 - O2
SWITCH 6 WAY LIGHTING	1 O3
SWITCH STARTER	1 O4
RELAYS	1 O5
HORN 24VOLT	1 O6
INSTRUMENT PANEL GROUPED (UP TO 1979)	1 O7
INSTRUMENT PANEL GROUPED (FROM 1979)	1 O8
SPEEDOMETER	1 O9
AMMETERS 24 VOLT (UP TO 1978)	1 O10
WINDSCREEN WIPER MOTOR	1 O11
WINDSCREEN WASHERS	1 O12



Model MILITARY VEHICLE
Page YWMXAA1A

ELECTRICAL - HEADLAMP VERTICAL DIP



Ill. Part No.	Description	Qty	Remarks
1 514774	Headlamp assembly	2	NLA
2 514775	Bulb headlamp	2	24 Volt
585233	Bulb headlamp	2	12 Volt
3 264581	Rim headlamp	2	NLA
4 78348	Screw 10unf x 1/2"	6	
5 WM702001L	Washer spring	6	
6 HN2005L	Nut 10unf	6	
7 531586	Gasket	2	
8 AEL4126	Light unit	2	

Note(1) Vertical dip headlamp fitted up to May 1982

Model MILITARY VEHICLE

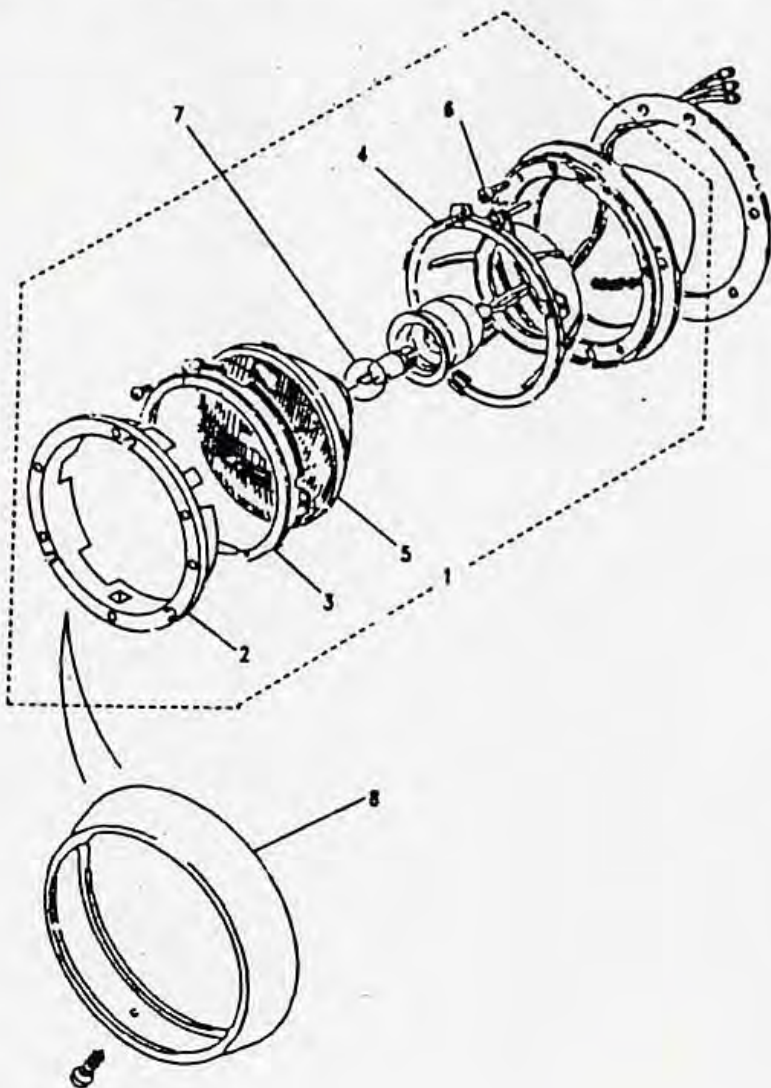
Page YWMXAA2A

ELECTRICAL - HEADLAMP SIDE DIP

Il. Part No.	Description	Qty	Remarks
1 AEU2466	Headlamp assy less bulb	2	RH stg
AEU2465	Headlamp assy less bulb	2	LH stg
2 600842	Rim mask	2	
3 600843	Plate retain.light unit	2	
4 17H5205	Rim seating light unit	2	
5 AEU2517	Light unit	2	RH stg
RTC3684	Light unit	2	LH stg
6 600851	Screws trimmer	6	
7 547023	Bulb headlamp	2	24 volt
505197	Bulb headlamp	2	12 volt
8 264581	Rim headlamp	2	NLA

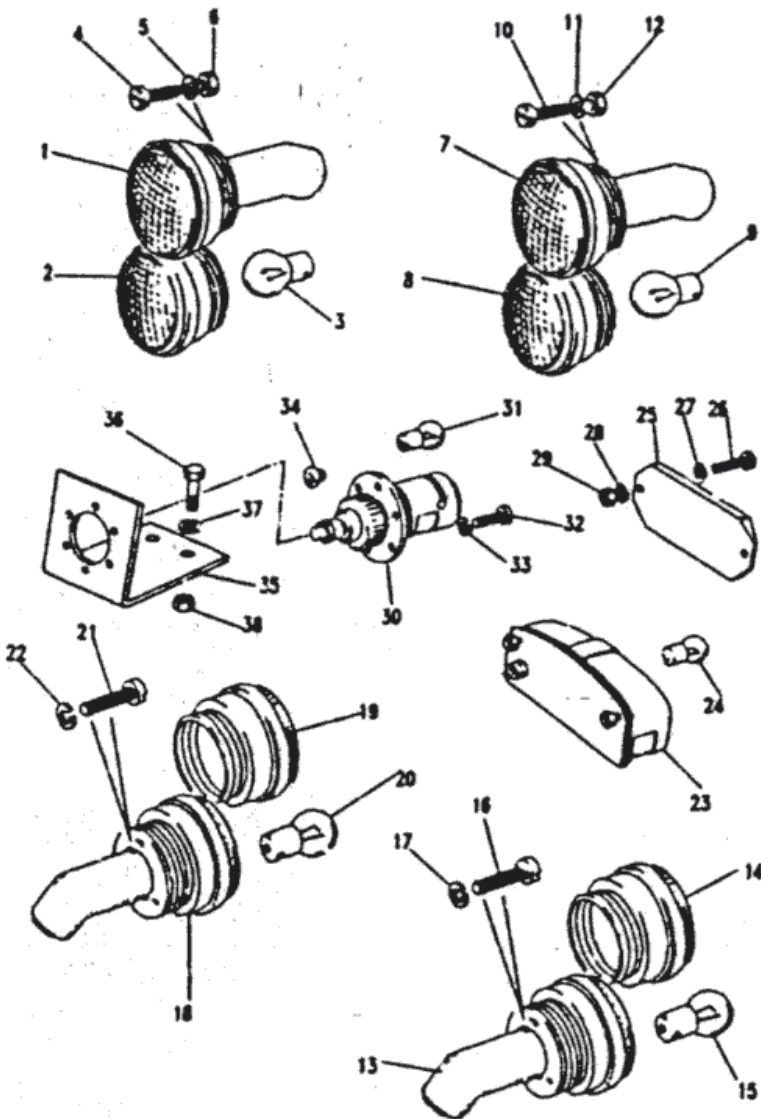
Note(1)

Side dip headlamp fitted from May 1982



Model MILITARY VEHICLE
Page YWMXAC1A

ELECTRICAL - LAMPS FRONT AND REAR



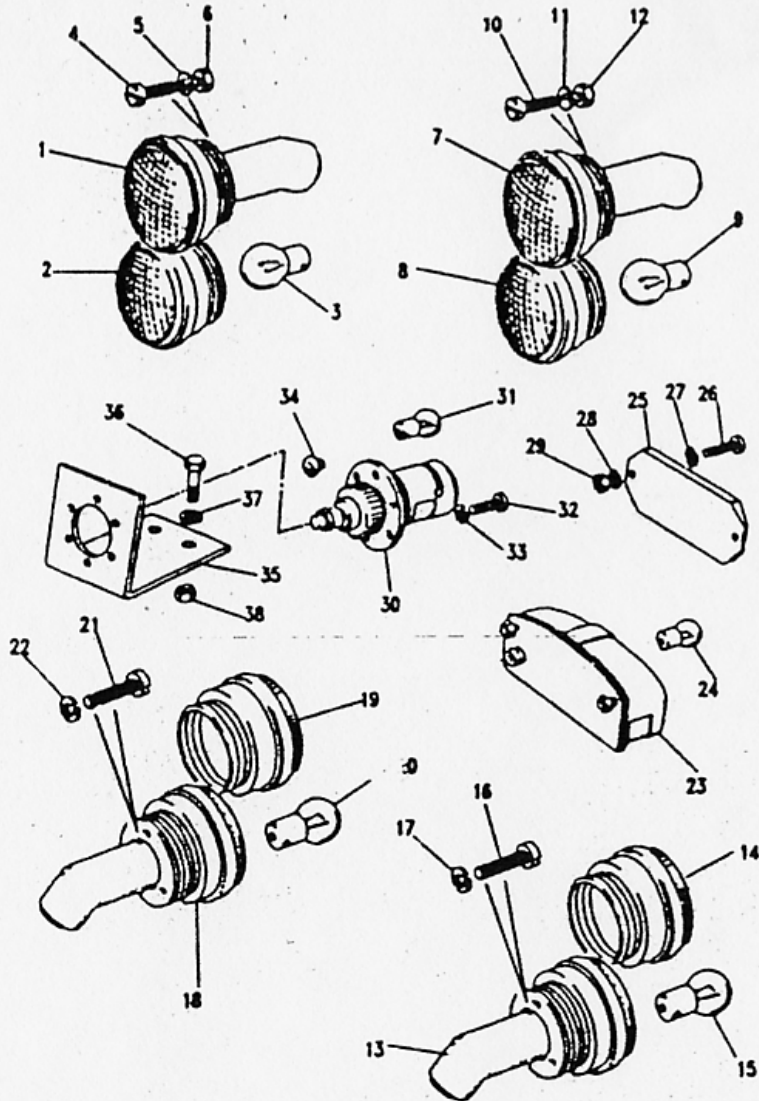
Ill. Part No.	Description	Qty	Remarks
1 AEU1374	Sidelamp less bulb	2	
2 AEU1375	Lens for sidelamp	2	
RTC1931	Sidelamp less bulb	2	Note(1)
800855	Lens for sidelamp	2	Note(1)
3 90608485	Bulb for sidelamp	2	24Volt
10211	Bulb for sidelamp	2	12Volt
4 77701	Screw 4ba x 3/8"	6	
5 WM704001L	Washer spring	6	
6 4023	Nut	6	
7 RTC1885	Front flasher lamp	2	Less bulb
8 RTC1843	Lens front flasher lamp	2	
9 589973	Bulb for flasher lamp	2	24Volt
264591	Bulb for flasher lamp	2	12Volt
10 77701	Screw 4ba x 3/8"	6	
11 WM704001L	Washer spring	6	
12 4023	Nut	6	
13 RTC1919	Stop/tail lamp less bulb	2	
14 AAU1079	Lens for stop/tail lamp	2	
RTC1919	Stop/tail lamp less bulb	2	Note(1)
AAU1079	Lens for stop/tail lamp	2	Note(1)
15 510817	Bulb for stop/tail lamp	2	24Volt
264590	Bulb for stop/tail lamp	2	12Volt
16 AB606031L	Drive screw no.4 x 3/8"	6	
17 WA703081L	Washer plain	6	
18 RTC1886	Rr flasher lamp less bulb	2	
19 RTC1844	Lens for rr flasher lamp	2	
20 589973	Bulb for flasher lamp	2	24Volt
264591	Bulb for flasher lamp	2	12Volt
21 AB606031L	Drive screw no.4 x 3/8"	6	
22 WA703081L	Washer plain	6	
23 AEU1852	Rr number plate lamp c/w	1	Fixings
24 547136	Bulb number plate lamp	1	24Volt
570822	Bulb number plate lamp	1	12Volt
25 589677	Red reflector	2	

Model MILITARY VEHICLE
 Page YWMXAC1A

ELECTRICAL - LAMPS FRONT AND REAR

Ill. Part No.	Description	Qty	Remarks
28 78599	Screw 4ba x 1/2"	4	NLA
27 4203	Washer plain	4	NLA
28 WM704001L	Washer spring	4	
29 4023	Nut	4	
30 RTC4771	Convoy lamp	1	
31 90608485	Bulb convoy lamp	1	24Volt
575312	Bulb convoy lamp	1	12Volt
560550	Lead convoy lamp	1	
32 77701	Screw 4ba x 3/8"	3	
33 WM704001L	Washer spring	3	
34 536126	Sealing gland	1	
35 268589	Bracket for convoy lamp	1	
36 255206	Bolt 1/4unf x 5/8"	2	
37 WF800041L	Shakeproof washer	2	
38 NH604041L	Nut	2	
RTC2665	Fog lamp rear guard	2	
RTC2666	Lens	2	
589973	Bulb fog lamp	2	24Volt
264591	Bulb fog lamp	2	12Volt

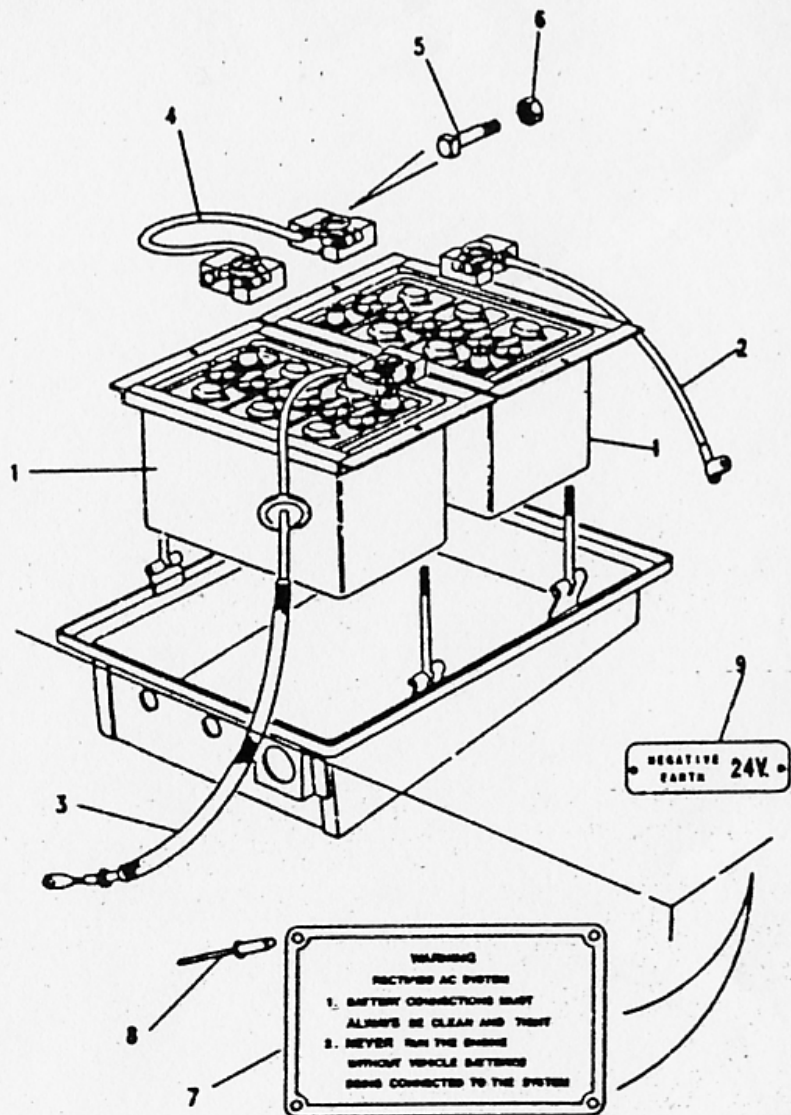
Note(1) Early type conical shaped lamps.



Model MILITARY VEHICLE
Page YWMXCA1A

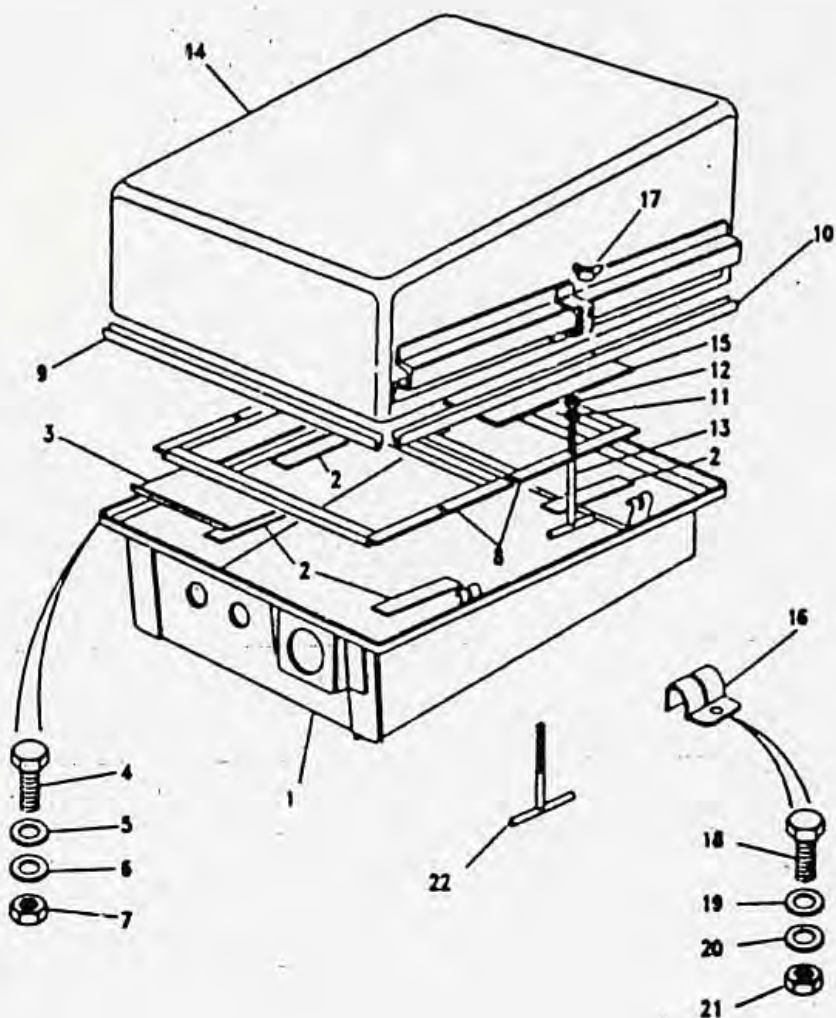
BODY ELECTRICAL - BATTERIES VEHICLE 24VOLT

Ill. Part No.	Description	Qty	Remarks
1	STC8270	2	Battery dry charged
2	90500921	1	Heavy cable battery to earth
3	560788	1	Heavy cable battery to solenoid
4	560787	1	Heavy cable battery link
5	12755	4	Bolt
6	12756	4	Nut
7	336441	2	Warning inscription plate
8	78390	8	Pop rivet plate to seat base ends
9	598701	1	Warning plate neg earth



Model MILITARY VEHICLE
Page YWMXCA2A

BODY ELECTRICAL - BATTERY BOX (UP TO SEPT 79) 24VOLT



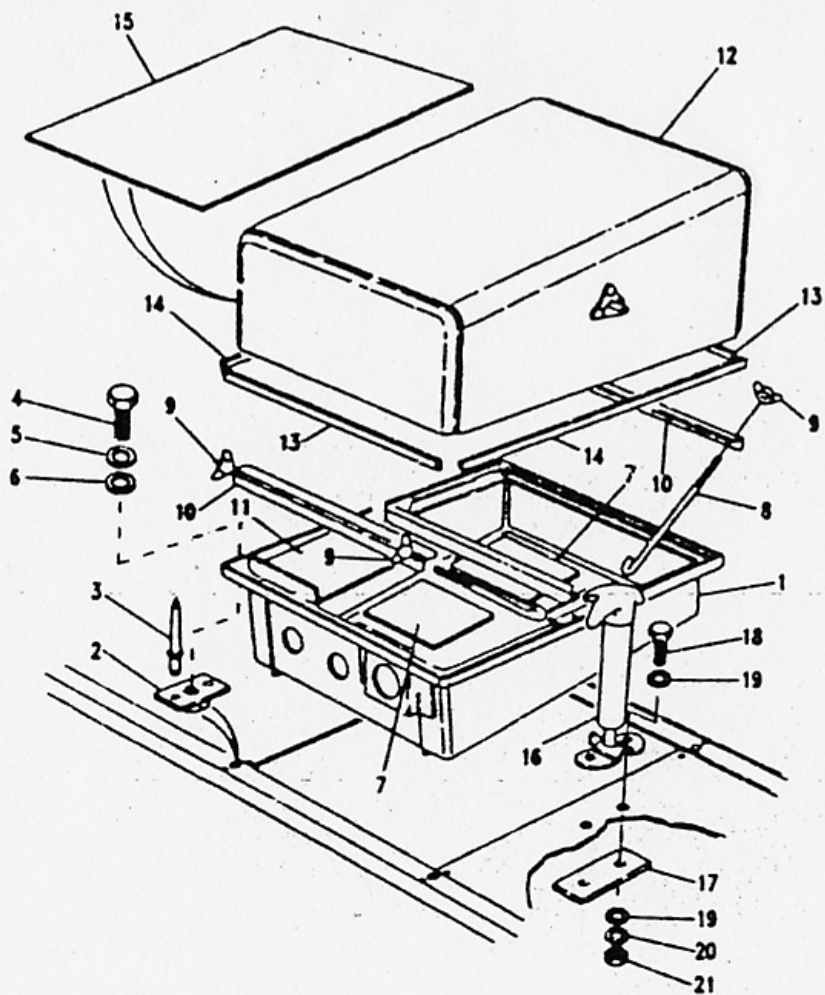
Pl. Part No.	Description	Qty	Remarks
1	346080	1	Battery box
2	334242	4	Pad battery box
3	346035	1	Transfer box access cover
4	SH604081L	6	Set bolt 1/4unf x 5/8"
5	WA106041L	6	Washer plain
6	WM600041L	8	Washer spring
7	NH604041L	6	Nut 1/4unf
8	334154	2	Battery clamping frame
9	MFC2201	2	Sealing strip 12.1/2"
10	MFC2202	2	Sealing strip 15.1/2"
11	2878	4	Washer plain
12	NH604041L	4	Nut 1/4unf
13	345539	4	T bolt battery clamping
14	348015	1	Battery cover
15	348060	1	Insulation battery cover
16	398058	2	Bracket clamping bolt
17	252180	2	Wingnut
18	255208	2	Bolt 1/4unf x 5/8"
19	WA106041L	2	Washer plain
20	WM600041L	2	Washer spring
21	NH604041L	2	Nut 1/4unf
22	334151	2	Clamping bolt batt.cover

Model MILITARY VEHICLE

Page YWMXCA3A

BODY ELECTRICAL - BATTERY BOX (SEPT 79 ONWARDS) 24VOLT

ML Part No.	Description	Qty	Remarks
1	MRC2977	1	Battery box
2	348075	8) Battery box
3	78788	12) seatbase
4	SH804061L	6)
5	WM600041L	6)
6	WA108041L	6)
7	334242	4	Insulation pad batt.box
8	MRC7133	4) Battery clamp
9	252180	4)
10	396064	2)
11	346035	1	Cover plate /box access
12	MRC8573	1	Battery cover
13	MRC2201	2) Battery cover
14	MRC2202	2)
15	348090	2)
16	MRC5314	2)
17	MRC8093	2) Quick release
18	FS106201	4) catch to
19	WA108041L	8) seatbase
20	WL106001L	4)
21	NY108041L	4)



Model MILITARY VEHICLE
Page YWMXCC1A

BODY ELECTRICS - HARNESS - MAIN - RH STG

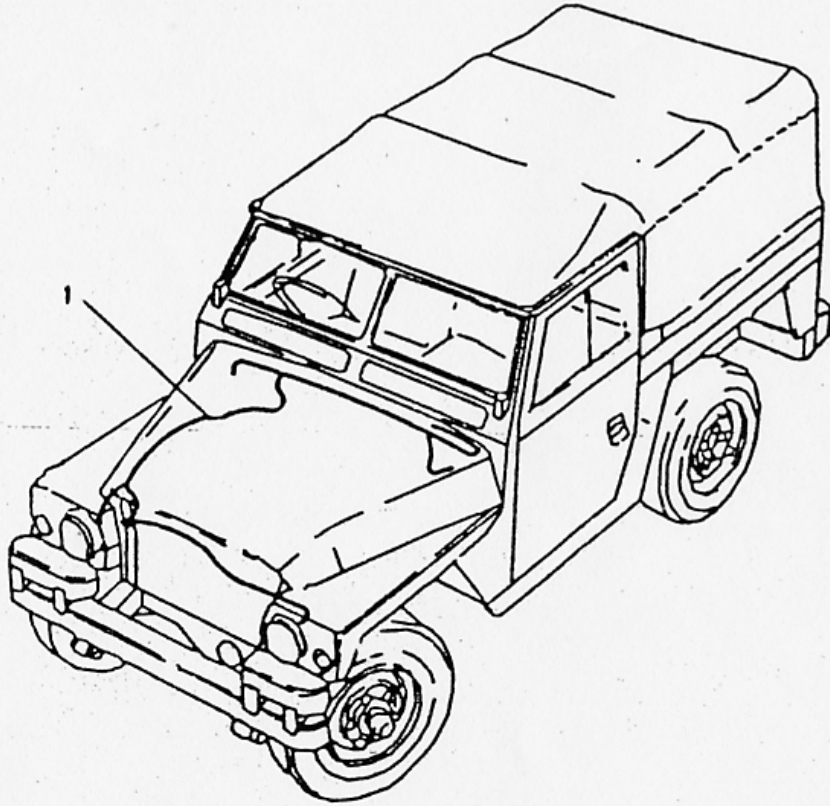
ML Part No.	Description	Qty	Remarks
1 589729	Harness main RH Stg	1	Note(1)
589858	Harness main RH stg	1	Note(2)
PRC1784	Harness main RH stg	1	Note(3)
PRC2892	Harness main RH stg	1	Note(4)

Note(1) Applicable to 12 volt vehicle contracts WV10787, WV10828, Applicable to 24 volt vehicle contracts WV10775, WV10998, WV11075, WV11139, WV10998

Note(2) Applicable to 12 volt vehicle contracts WV10999, WV11077, WV11140, WV11147, WV11367, WV11439, WV11572, WV11581, WV11700, WV11733, WV11765, WV11872, WV11974, WV12040, WV12125, FVE22A/39, FVE22A/40 Applicable to 24 volt vehicle contracts WV11131, WV11368, WV11378, WV11290, WV11404, WV11430, WV11701, WV11708, WV11768, WV11894, WV11916, WV12086, FVE22A/8, FVE22A/24, FVE22A/25, FVE22A/45.

Note(3) Applicable to 12 volt vehicle contracts FVE22A/78, FVE22A/87, FVE22A/95, FVE22A/97, FVE22A/115 Except Item 24. Applicable to 24 volt vehicle contracts FVE22A/73, FVE22A/87, FVE22A/95, FVE22A/115 Item 8 only

Note(4) Applicable to 12 volt vehicle contracts FVE22A/115 Item 24 FVE21B/229, FVE21B/244, FVE22A/225, FVE22A/240, FVE22A/251 Applicable to 24 volt vehicle contracts FVE21B/229, FVE22A/115, FVE22A/227, FVE22A/251.



Model MILITARY VEHICLE

Page YWMXCC2A

BODY ELECTRICS - HARNESS - MAIN - LH STG

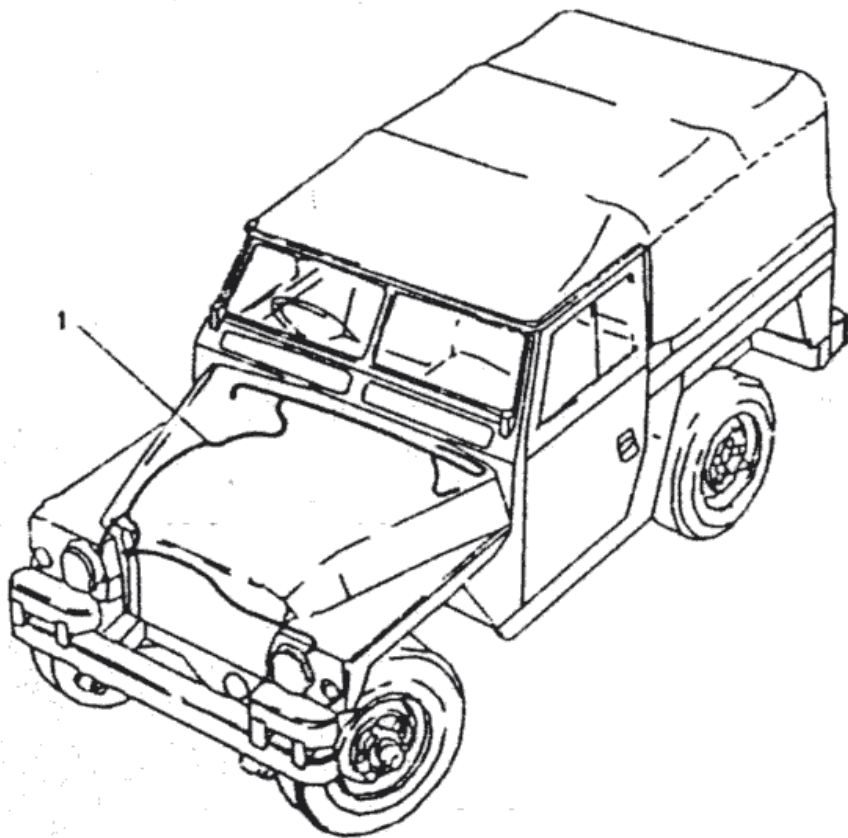
ML Part No.	Description	Qty	Remarks
1 589730	Harness main LH stg	1	Note(1)
589857	Harness main LH stg	1	Note(2)
PRC1785	Harness main LH stg	1	Note(3)
PRC2983	Harness main LH stg	1	Note(4)

Note(1) Applicable to 12 volt vehicle contracts WV10787, WV10828, WV11139
Applicable to 24 volt vehicle contracts WV10775, WV11139

Note(2) Applicable to 12 volt vehicle contracts WV11147, WV11140, WV11367, WV11439, WV11581, WV11700, WV11733, WV11872, FVE22A/39, FVE22A/40. Applicable to 24 volt vehicle contracts WV11131, WV11404, WV11430, WV11701, WV11708, WV11874, WV11894, WV11918, WV12036, FVE22A/9, FVE22A/24, FVE22A/46.

Note(3) Applicable to 12 volt vehicle contracts FVE22A/87, FVE22A/95, FVE22A/97, FVE22A/115 Except Item 24. Applicable to 24 volt vehicle contracts FVE22A/73, FVE22A/87, FVE22A/95.

Note(4) Applicable to 12 volt vehicle contracts FVE21B/244, FVE22A/251.
Applicable to 24Volt vehicle contracts FVE22A/115, FVE22A/240, FVE22A/251.





Model MILITARY VEHICLE

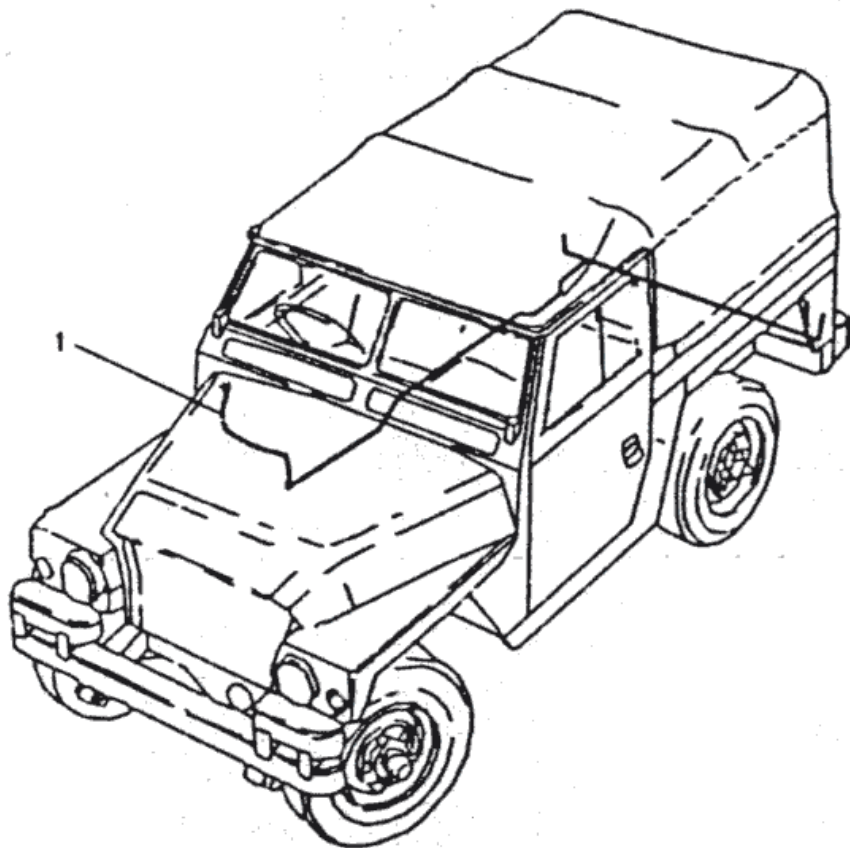
Page YWMXCE1A

BODY ELECTRICS - HARNESS - CHASSIS

Ill. Part No.	Description	Qty	Remarks
1 PRC2584	Harness chassis	1	Note(1)
PRC2694	Harness chassis	1	Note(2)

Note(1) Applicable to all vehicle contracts up to the introduction of rear guard fog lamps (Oct.1980)

Note(2) Applicable to vehicle contracts from the introduction of rear guard fog lamps (Oct.1980)





MILITARY VEHICLE

fiche1
N12

BODY ELECTRICAL

Model MILITARY VEHICLE

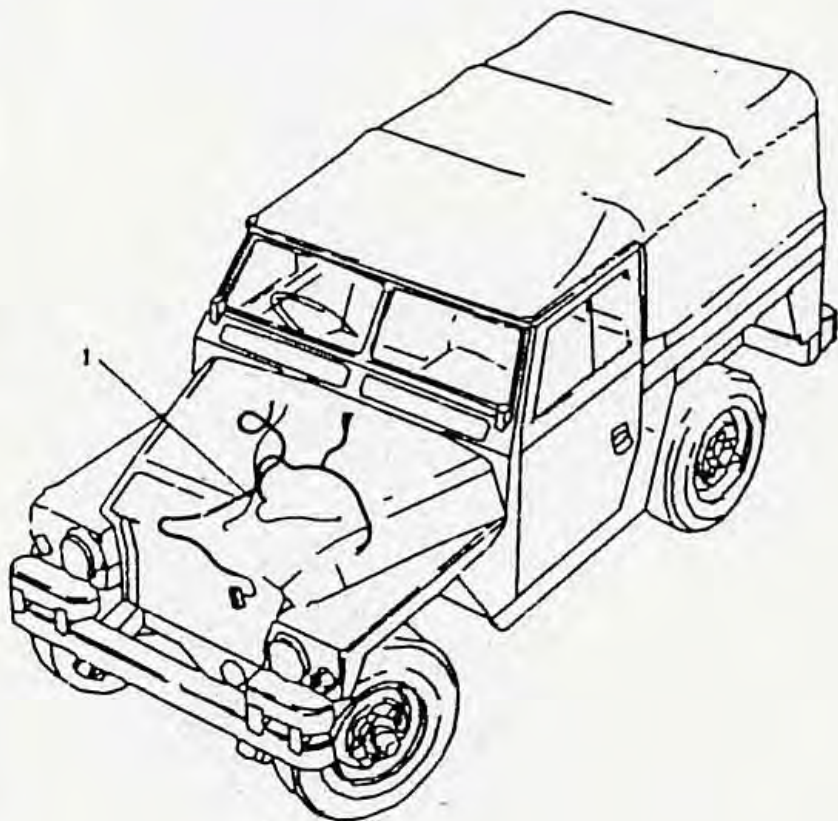
Page YWMXCF1A

BODY ELECTRICS - HARNESS - ENGINE

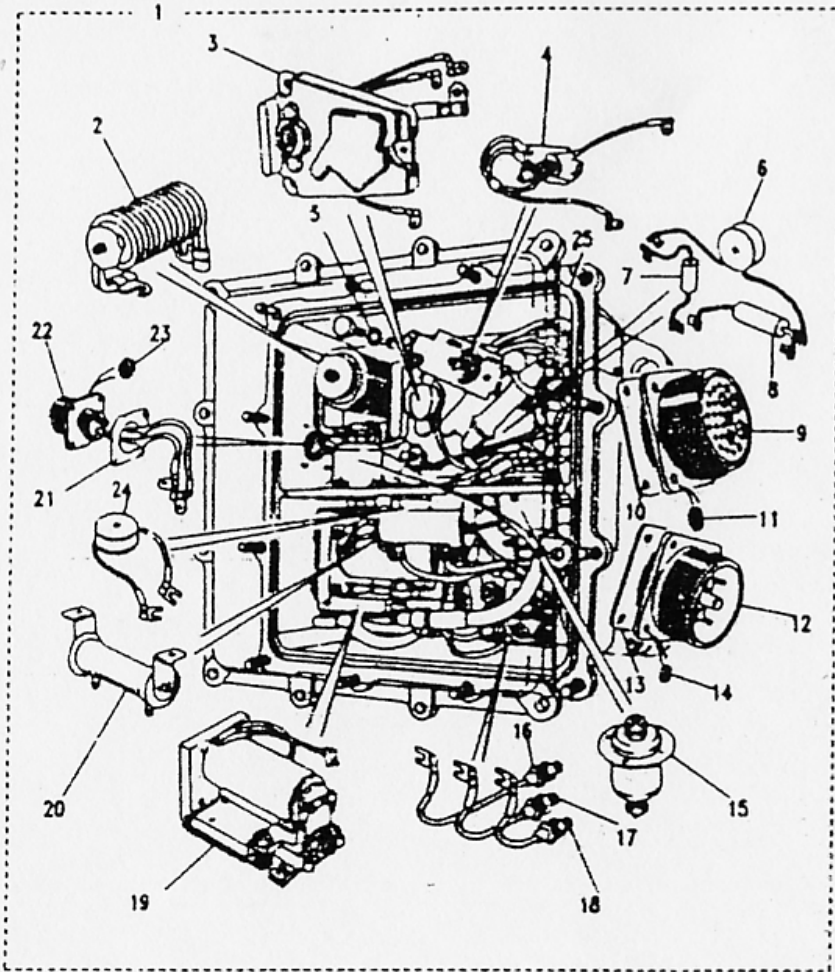
Ill. Part No.	Description	Qty	Remarks
1 579498	Harness engine	1	Note(1)
823090	Harness engine	1	Note(2)

Note(1) Applicable to 12 volt vehicle contracts WV10787 to WV11581 inclusive and 24 volt vehicle contracts WV10775 to WV11131 inclusive

Note(2) Applicable to 12 volt vehicle contracts WV11700 onwards and 24 volt vehicle contracts WV11368 onwards.



Model MILITARY VEHICLE
 Page YWMXC1A

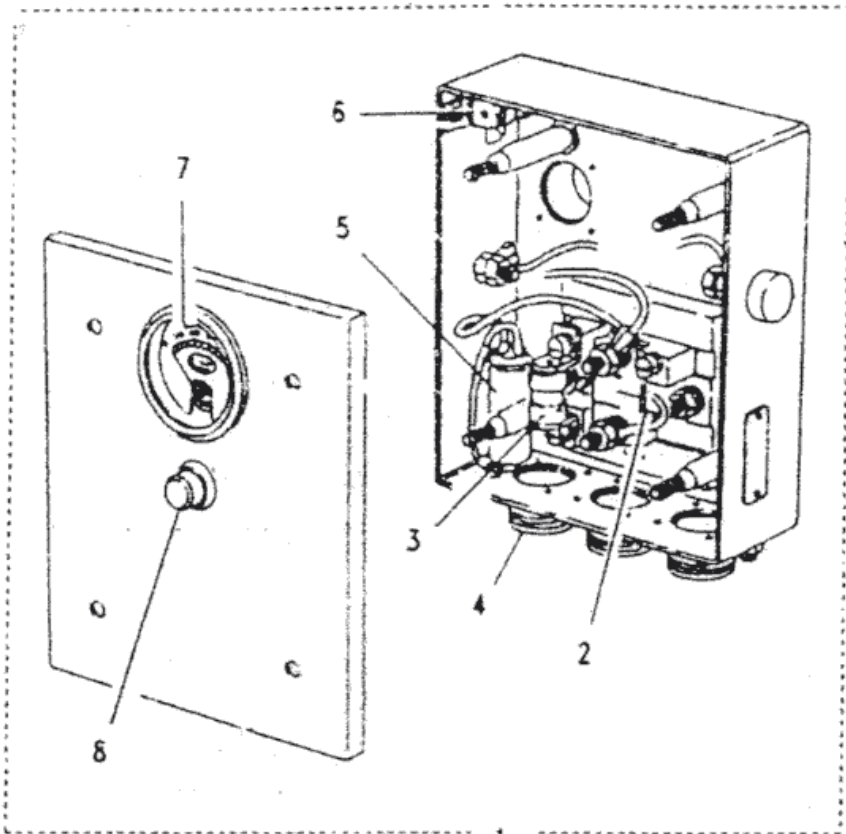
BODY ELECTRICS - GENERATOR PANEL 24VOLT


Ill. Part No.	Description	Qty	Remarks
1 551601E	Generator panel	1	(UP TO 1978)
PRC1126	Generator panel	1	(FROM 1978)
2 AEU1957	Choke	1	
3 AEU1961	Regulator	1	
4 ABU1464	Switch	1	
5 601652	Washer	1	NLA
6 AEU1956	Capacitor	1	
7 RTC4842	Capacitor	1	
8 AEU1960	Choke	1	
9 AEU1950	Socket assembly	1	
10 90601663	Gasket	1	NLA
11 AEU1987	Seal for screw fixing socket	4	
12 AEU1951	Plug	1	
13 AEU1970	Gasket	1	
14 AEU1968	Seal for screw fixing plug	4	
15 AEU1973	Capacitor	2	
16 AEU1955	Diode and lead	1	
17 AEU1953	Diode and lead	1	
18 AEU1954	Diode and lead	1	
19 AEU1956	Relay	1	
20 AEU1972	Resistor	1	
21 AEU1971	Gasket	1	
22 AEU1952	Socket	1	NLA
23 AEU1963	Seal for screw fixing socket	4	
24 AEU1974	Choke	1	
25 901670	Sealing ring	1	

Model MILITARY VEHICLE

Page YWMXC12A

BODY ELECTRICS - SHUNT BOX 24VOLT



W. Part No.	Description	Qty.	Remarks
1 PRC1423	Shunt box assembly	1	(UP TO 1978)
1 PRC1888	Shunt box assembly (c/w ammeter)	1	(FROM 1978)
2 AEU1986	Shunt	1	
3 589151	Fuse (with shunt)	1	
4 AEU1988	Plug	5	
5 PRC1424	Capacitor (with nut)	2	
6 589151	Fuse (inside box) spare	1	
7 PRC2819	Ammeter	1	
8 AEU1991	Switch	1	
MRC5364	Bracket shunt box support	2	
FS106161	Bolt M6 x 16mm	4)Bracket
WA108041L	Washer	4)to
NH104041L	Nut M6	4)bulkhead
WL106001L	Washer spring	4)



MILITARY VEHICLE

fiche1
N15

BODY ELECTRICAL

Model MILITARY VEHICLE

Page YWMXC13A

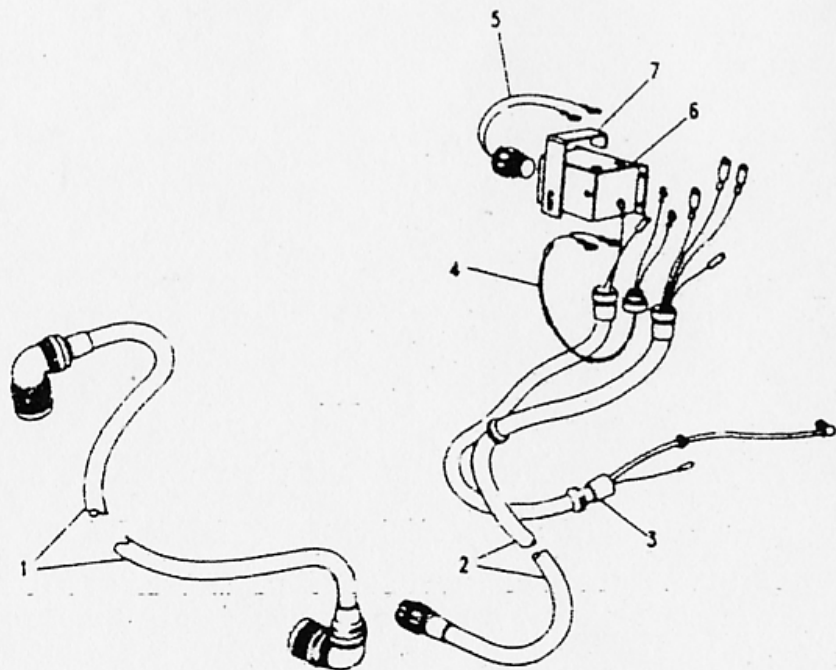
BODY ELECTRICS - BONDING LEADS 24 VOLT

Ill. Part No.	Description	Qty	Remarks
1 575448	Lead bonding shunt box to seat base	1	
2 552604	Lead bonding seat base to chassis	2	
3 552632	Lead bonding generator panel to mounting bracket	1	
4 552632	Lead bonding bonnet to dash	2	
5 575048	Lead bonding bonnet to instrument box LH	1	
6 560518	Lead bonding bonnet to instrument box RH	1	
7 575185	Lead bonding on LH toebox	1	
8 531598	Lead bonding on exhaust tailpipe	1	
9 575184	Lead starter motor to earth	1	
10 560548	Lead starter solenoid to earth	1	
11 552631	Lead bonding battery box to chassis	1	
12 552628	Lead bonding gearbox to chassis	1	

Model MILITARY VEHICLE
Page YWMXC14A

BODY ELECTRICS - CHARGING SYSTEM 24 VOLT (FROM 1978)

Ill. Part No.	Description	Qty	Remarks
1 PRC1765	Cable alternator to generator panel	1	
2 PRC1180	Cable generator panel to shunt box	1	
3 PRC1193	Cable shunt box to battery/main harness	1	
4 PRC1202	Cable shunt box to terminal box	1	
5 PRC1190	Cable terminal box to amphenol plug	1	NLA
6 MRC1905	Box terminal/amphenol socket	1	
7 MRC1944	Keeper plate terminal box	1	





MILITARY VEHICLE

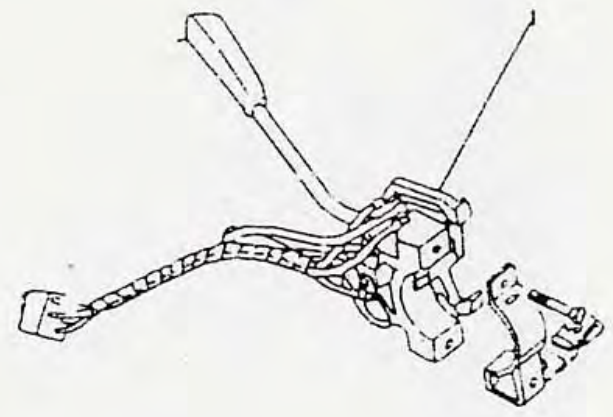
fiche1
N17

BODY ELECTRICAL

Model MILITARY VEHICLE
Page YWMXE1A

BODY ELECTRICAL - SWITCH HEADLAMP DIP/INDICATOR & HORN

HL Part No.	Description	Qty	Remarks
1 PRC2397	Switch headlamp dip/ indicator & horn	1	





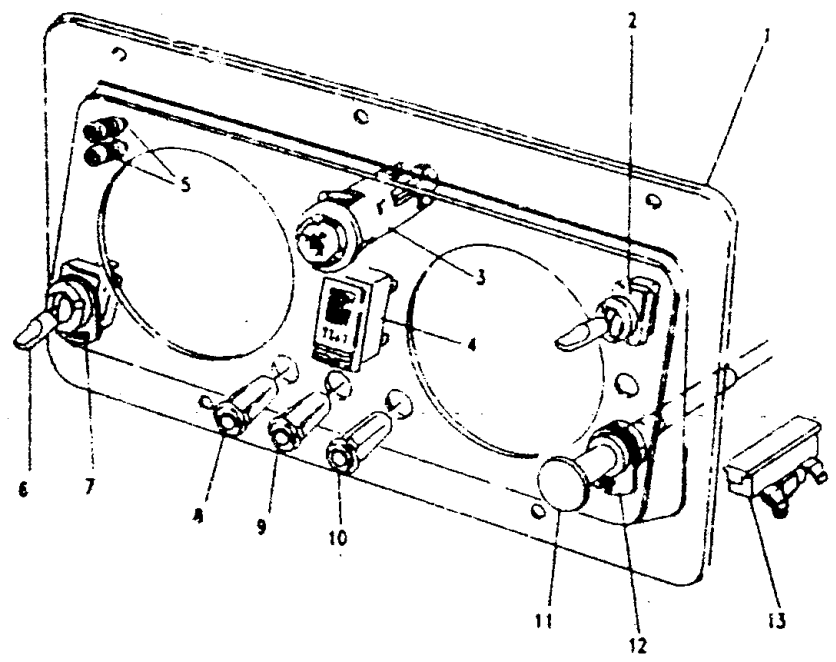
MILITARY VEHICLE

fiche1
N18

BODY ELECTRICAL

Model MILITARY VEHICLE
Page YWMXEA2A

BODY ELECTRICAL - SWITCH PANEL MAIN



QTY	Part No.	Description	QTY	Remarks
1	347774	Panel main switch	1	Note (1)
	MRC8014	Panel main switch	1	
2	RTC430	Switch panel light	1	
3	579225	Switch hazard warning	1	
	575221	Bulb hazard warning	1	24 volt
	503352	switch	1	12 volt
4	589266	Bulb hazard warning	1	12 volt
	RTC1527	switch	1	24 volt
	589169	Switch brake warning	1	12 volt
	GLB280	light/test button	1	
	RTC4784	Bulb switch	1	12 volt
5	PRC1526	Socket inspection lamp	1	
	1H9077L	(black)	1	
	560406	Socket inspection lamp	1	
	55E322	(red)	1	
6	STC364	Switch heater 2 position	1	
7	560406	Nameplate heater switch	1	
8	55E322	Lens trailer ind warning	1	
9	STC364	light	1	
10	589027	Lens ignition warning	1	
	575221	light	1	
	503352	Lens indicator warning	1	
	500918	light	1	
	232597	Bulb warning lights	3	24 volt
	552682	Bulb warning lights	3	12 volt
	516962	Bulb instruments	5	24 volt
	563411	Bulb instruments	5	12 volt
11	552682	Cold start control	1	
	516962	carburettor	1	
	563411	Clip control cable	1	
12	563411	Nameplate cold start	1	





MILITARY VEHICLE

fiche1
01

BODY ELECTRICAL

MASTER INDEX

	PAGES
INTRODUCTION AND ALPHABETICAL INDEX	1 ROW B
ENGINE	1 ROW C - D
GEARBOX	1 ROW E
TRANSFER BOX	1 ROW F
AXLES AND SUSPENSION	1 ROW G
STEERING	1 ROW H
VEHICLE AND ENGINE CONTROLS	1 ROW I
BRAKES	1 ROW J
FUEL SYSTEM AND AIR CLEANER	1 ROW K
EXHAUST SYSTEM	1 ROW L
COOLING/HEATING	1 ROW M
BODY ELECTRICAL	1 ROW N - O
INTRODUCTION AND ALPHABETICAL INDEX	2 ROW B
BODY AND CHASSIS	2 ROW C - D
SEATS	2 ROW E
STOWAGE	2 ROW F
MISCELLANEOUS - PAINTS ETC	2 ROW G
NUMERICAL INDEX	2 ROW H
NEW PARTS TO FICHE	2 ROW H

GROUP M

BODY ELECTRICAL

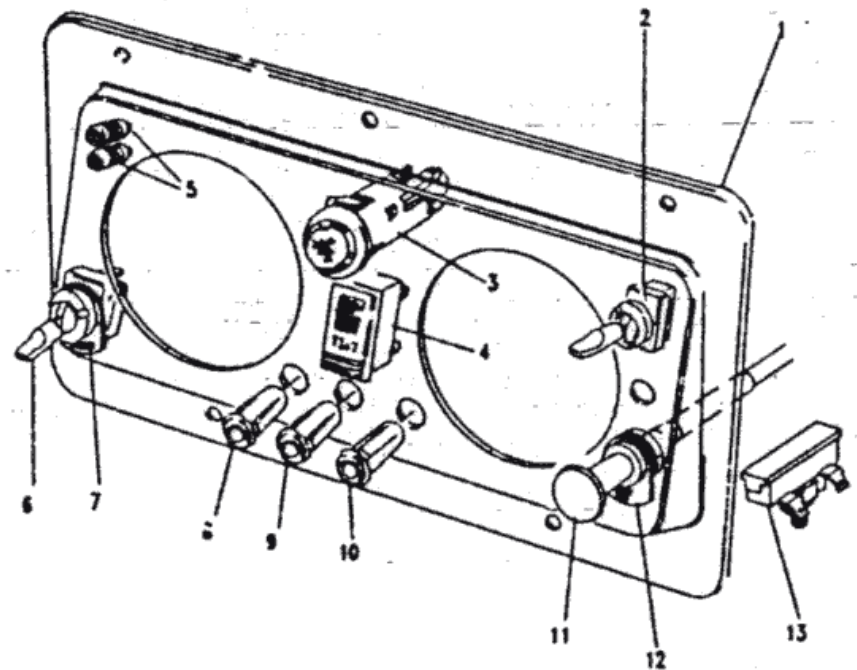
3ODY ELECTRICAL	
HEADLAMP VERTICAL DIP	1 N2
HEADLAMP SIDE DIP	1 N3
LAMPS FRONT AND REAR	1 N4 - N5
BATTERIES VEHICLE 24VOLT	1 N6
BATTERY BOX (UP TO SEPT 79) 24VOLT	1 N7
BATTERY BOX (SEPT 79 ONWARDS) 24VOLT	1 N8
HARNESS - MAIN - RH STG	1 N9
HARNESS - MAIN - LH STG	1 N10
HARNESS - CHASSIS	1 N11
HARNESS - ENGINE	1 N12
GENERATOR PANEL 24VOLT	1 N13
SHUNT BOX 24VOLT	1 N14
BONDING LEADS 24 VOLT	1 N15
CHARGING SYSTEM 24 VOLT (FROM 1978)	1 N16
SWITCH HEADLAMP DIP/INDICATOR & HORN	1 N17
SWITCH PANEL MAIN	1 N18 - O2
SWITCH 6 WAY LIGHTING	1 O3
SWITCH STARTER	1 O4
RELAYS	1 O5
HORN 24VOLT	1 O6
INSTRUMENT PANEL GROUPED (UP TO 1979)	1 O7
INSTRUMENT PANEL GROUPED (FROM 1979)	1 O8
SPEEDOMETER	1 O9
AMMETERS 24 VOLT (UP TO 1978)	1 O10
WINDSCREEN WIPER MOTOR	1 O11
WINDSCREEN WASHERS	1 O12

Model MILITARY VEHICLE
Page YWMXEA2A

BODY ELECTRICAL - SWITCH PANEL MAIN

Part No.	Description	Qty	Remarks
13 RTC5d16	control Switch cold start control	1	
PRC2888	Switch rear fog lamp	1) Note (2)
PRC1492	Lens rear fog warning light	1	
PRC1814	Lens brake warning light	1	

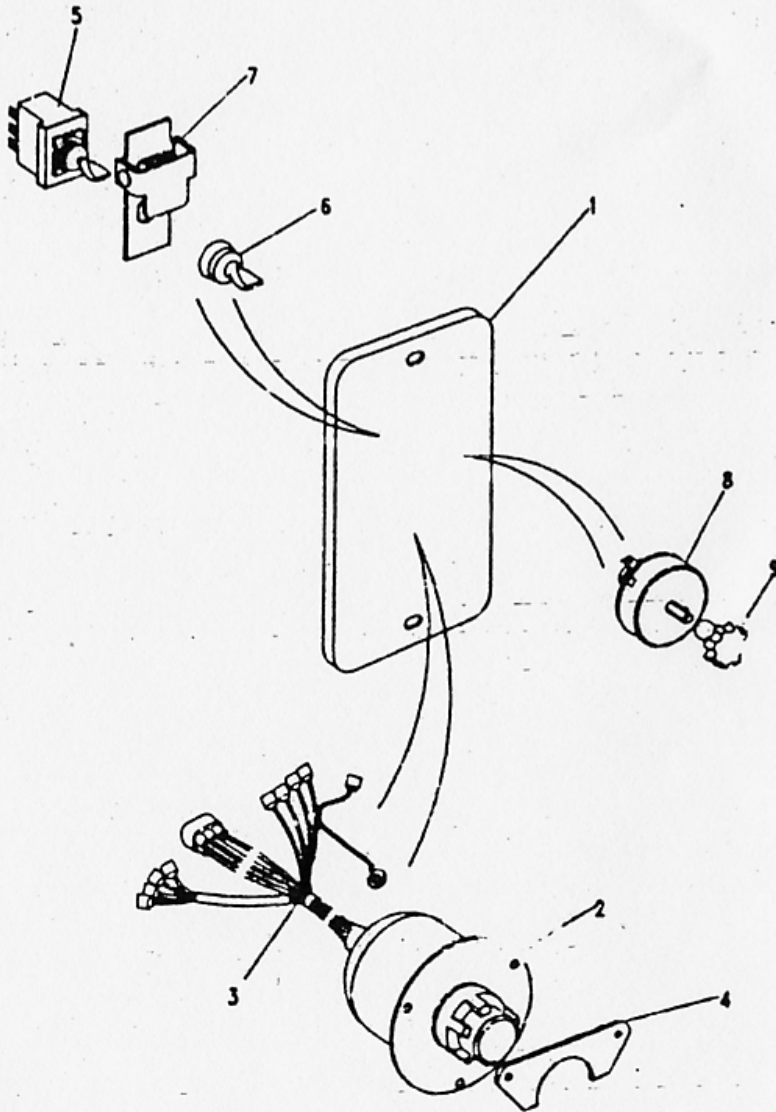
Note(1) Applicable to vehicles with item 4 fitted.
Note(2) Introduction of brake warning light system and rear fog guard lamps.



Model MILITARY VEHICLE
Page YWMXE3A

BODY ELECTRICAL - SWITCH 6 WAY LIGHTING

Ill.	Part No.	Description	Qty	Remarks
1	335771	Panel 6-way switch (blank)	1	
2	PRC2088	Switch 6-way lighting	1	
3	RTC6700	Harness 6-way switch	1	
4	348797	Plate inscription for 6-way switch	1	
5	PRC2156	Switch infra red headlight:	1	
6	PRC2155	Cover infra red switch	1	
7	589196	Inhibitor for infra red switch	1	
8	579008	Switch windscreen wiper/ washer	1	
9	90575153	Knob, wiper/washer switch	1	

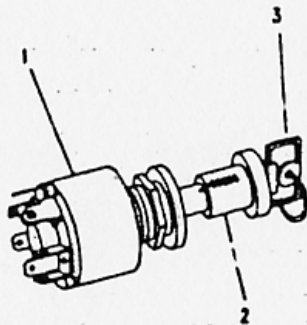


Model MILITARY VEHICLE
Page YWMXE44A

BODY ELECTRICAL - SWITCH STARTER

III. Part No.	Description	Qty	Remarks
1 551508	Switch ignition starter	1	
2 395141	Barrel and 2 keys	1	
3 17H2475L	Key Blank F.S series	1	
CD31726C	Key Cut F.S series	1	
589115	Bracket starter switch	1	Note(1)

Note(1) Bracket fitted to early vehicles only

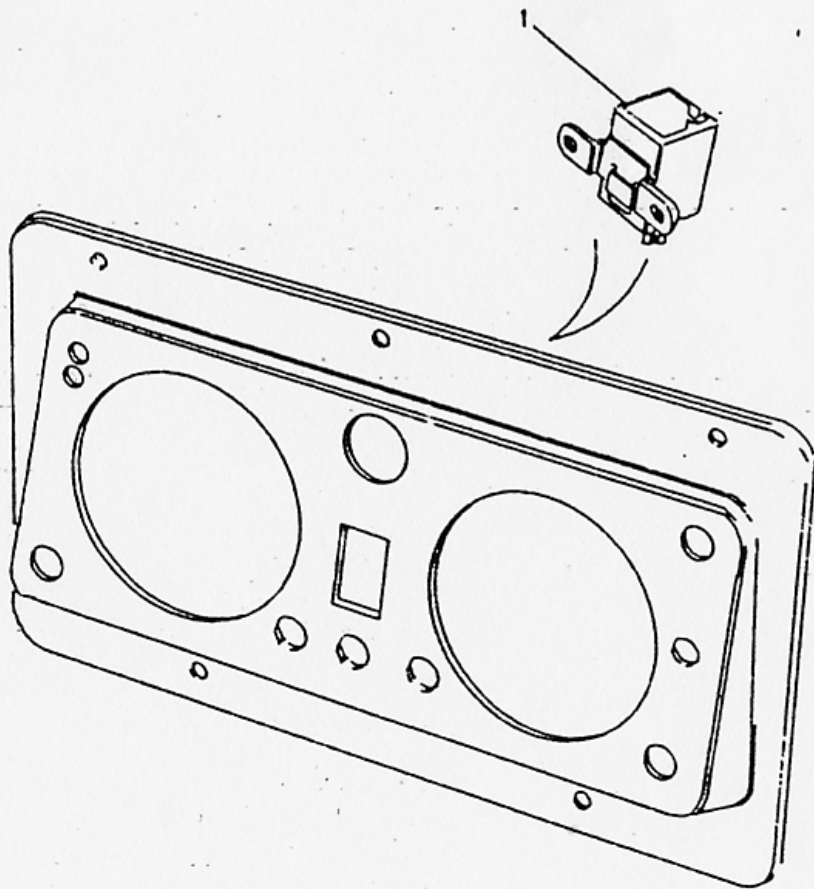


Model MILITARY VEHICLE

Page YWMXGA1A

BODY ELECTRICAL - RELAYS

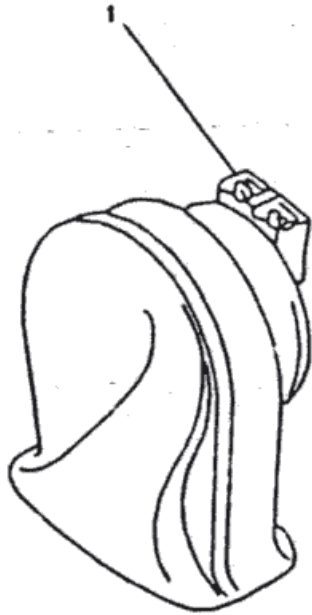
Ill. Part No.	Description	Qty	Remarks
1 PRC2739	Relay 6RA - Brake chock	1	24 Volt
PRC2738	Relay 6RA - Brake chock	1	12 Volt
579038	Relay 6RA - Rear fog guard	1	24 Volt
579037	Relay 6RA - Rear fog guard	1	12 Volt
579038	Relay - Infra red	1	24 Volt
579037	Relay - Infra red	1	12 Volt
90545020	Relay - Auxiliary	1	24 Volt
551407	Relay - Auxiliary	1	12 Volt
90545020	Relay - Horn	1	24 Volt
90545020	Relay - Hazard warning	1	24 Volt



Model MILITARY VEHICLE
Page YWMXGE1A

BODY ELECTRICS - HORN 24VOLT

Ill. Part No.	Description	Qty	Remarks
1 STC576	Horn	1	
NRC1167	Bracket mounting horn	1	NLA



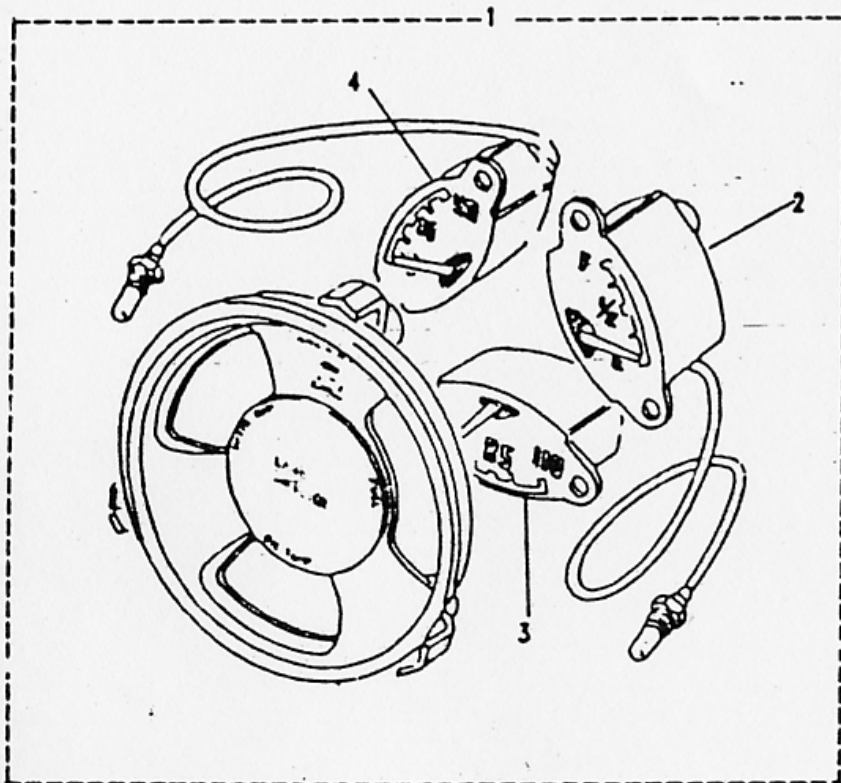
Model MILITARY VEHICLE
Page YWMXIA1A

INSTRUMENTS - INSTRUMENT PANEL GROUPED (UP TO 1979)

ML Part No.	Description	Qty	Remarks
(Capillary type up to 1979)			
1 552613	Grouped instrument panel complete 24 volt	1	Note(1)
558323	Grouped instrument panel complete 12 volt	1	NLA
2 552615	Gauge fuel 24 volt	1	Note(1)
555835	Gauge fuel 12 volt	1	
3 90552617	Gauge oil temperature	1	
4 90552618	Gauge water temperature	1	

Note(1)

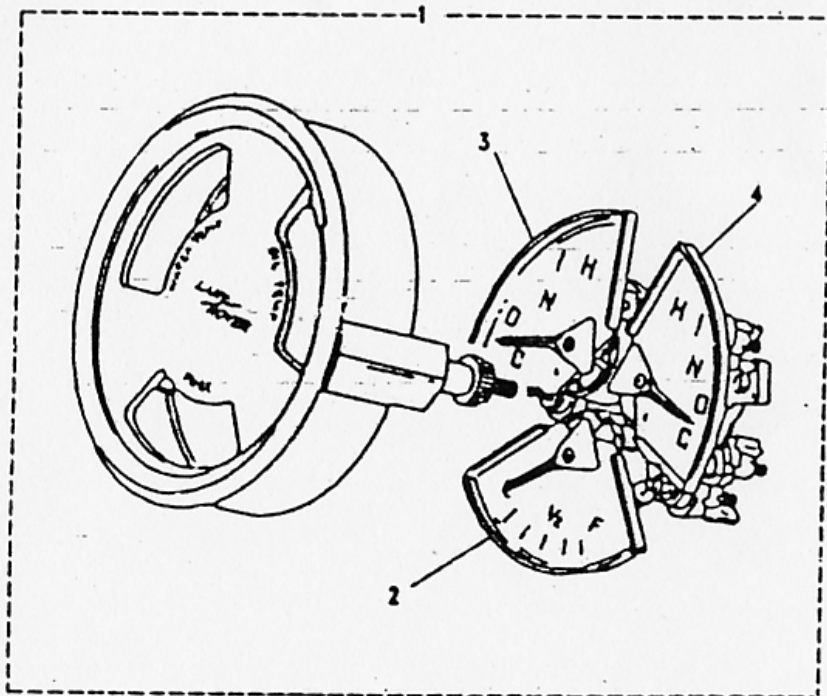
Capillary type 24 volt grouped instrument panel and fuel gauge are no longer available. A conversion kit to electrical type gauges is available part number RTC2519



Model MILITARY VEHICLE
Page YWMXIA2A

INSTRUMENTS - INSTRUMENT PANEL GROUPED (FROM 1979)

M. Part No.	Description	Qty	Remarks
1 PRC1777	Grouped instrument panel complete	1	24VOLT
PRC1778	Grouped instrument panel complete	1	12VOLT
2 PRC1788	Fuel gauge	1	24VOLT
PRC1788	Fuel gauge	1	12VOLT
3 PRC1791	Water temperature gauge	1	24VOLT
PRC1790	Water temperature gauge	1	12VOLT
4 PRC1793	Oil temperature gauge	1	24VOLT
PRC1792	Oil temperature gauge	1	12VOLT





MILITARY VEHICLE

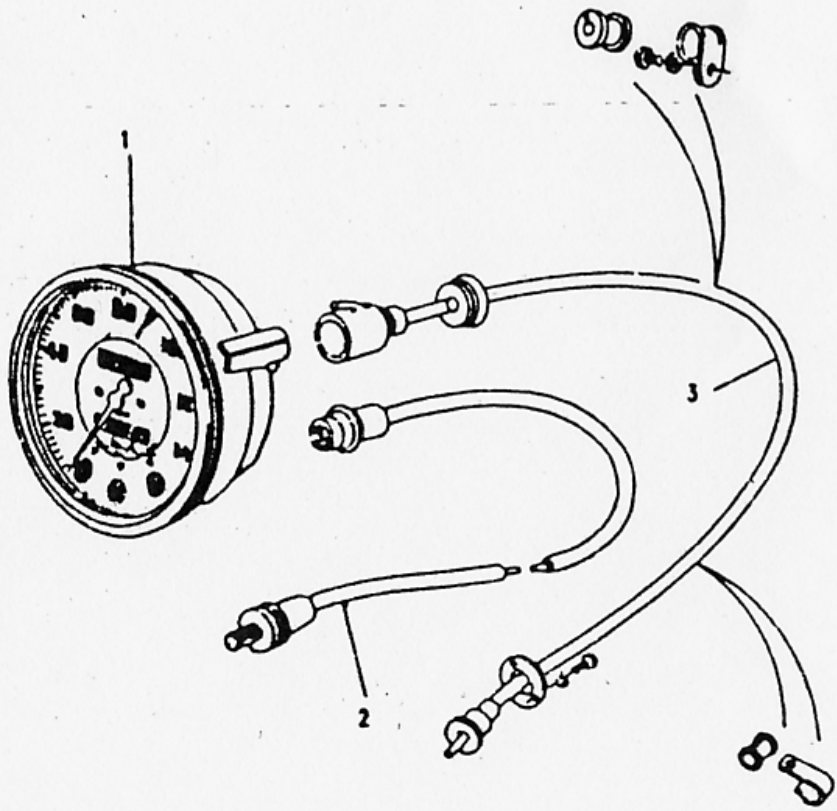
fiche1
09

BODY ELECTRICAL

Model MILITARY VEHICLE
Page YWMXIA3A

INSTRUMENTS - SPEEDOMETER

Ill. Part No.	Description	Qty	Remarks
1 PRC2805	Speedometer KPH	1	
RTC5034	Speedometer MPH	1	
2 C38968L	Trip reset cable	1	
3 579435	Cable speedometer	1	

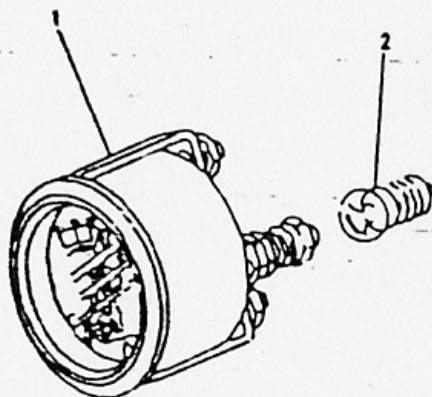


Model MILITARY VEHICLE

Page YWMXA4A

INSTRUMENTS - AMMETERS 24 VOLT (UP TO 1978)

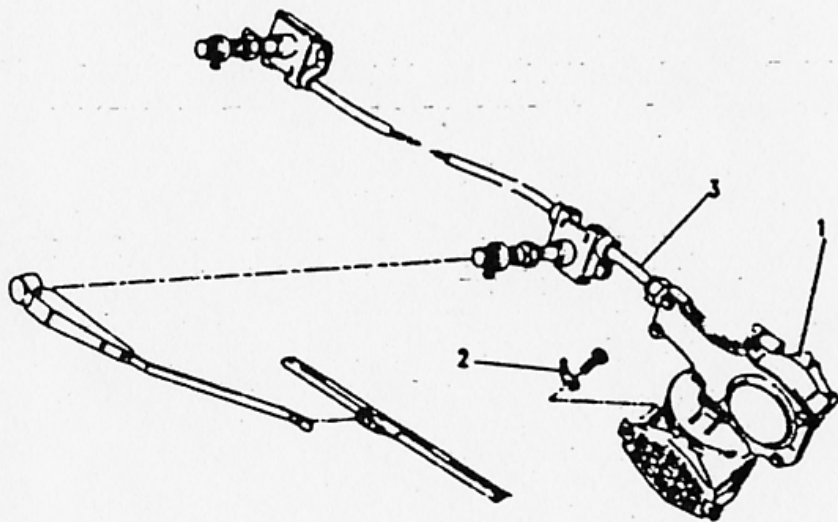
Ill. Part No.	Description	Qty	Remarks
1 PRC5485	Ammeter vehicle/radio	2	
508493	Plate name 'vehicle'	1	NLA
532747	Plate name 'aux'	1	NLA
90575155	Illumination housing ammeter	1	NLA
580604	Cable ammeter illumination c/w bulb	1	NLA
2 500918	Bulb	1	



Model MILITARY VEHICLE
Page YWMXMA1A

BODY ELECTRICS - WINDSCREEN WIPER MOTOR

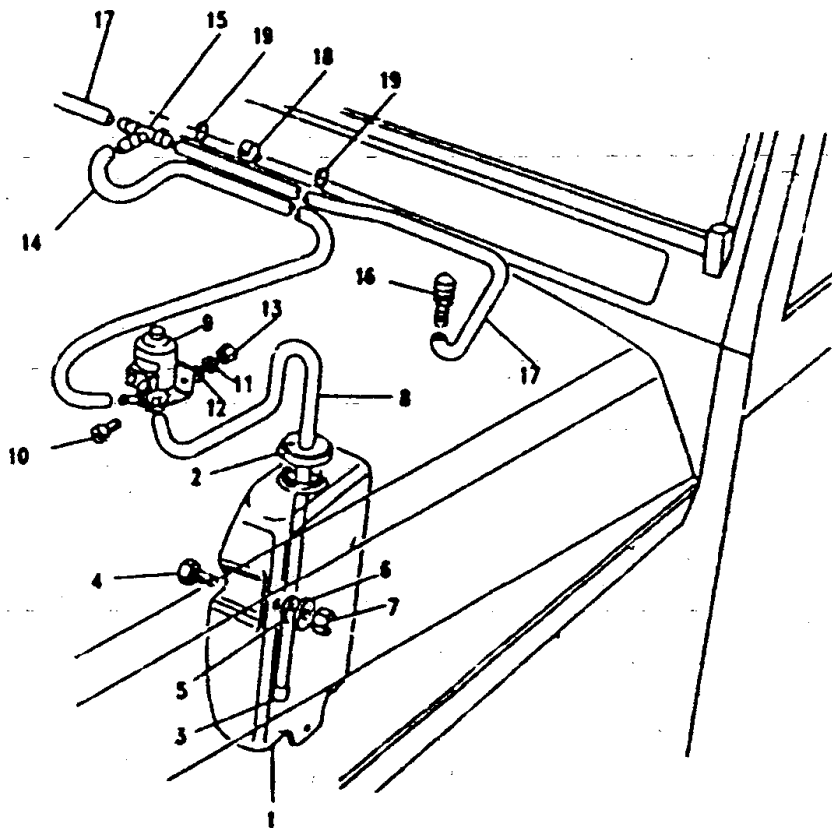
Ill. Part No.	Description	Qty	Remarks
1 AAU8238	Motor wiper less shaft and gear	1	24VOLT
RTC3867	Motor wiper less shaft and gear	1	12VOLT
37H2736L	Shaft & gear wiper motor	1	
AAU8239	Suppression box	2	24VOLT
AB808022L	Screw suppressor to wiper motor	2	
78755	Screw motor to dash	2	
2 531523	Lucar blade for inhibitor	1	
3 580885	Casing outer wheelbox to motor	1	NLA



Model MILITARY VEHICLE

Page YWMXMC1A

ELECTRICAL - WINDSCREEN WASHERS



ML Part No.	Description	Qty	Remarks
1	PRC1080	1	Water container
2	PRC1081	1	Cap for bottle
3	90808330	1	Non-return valve
4	257017	3	Screw 10unf x 1/2"
5	WM702001L	3	Washer spring
6	WC702101L	3	Washer plain
7	HN2005L	3	Nut
8	17H8580	a/r	Tubing container to pump 10"
9	PRC3370	1	Windscreen washer pump
	PRC3369	1	Windscreen washer pump
	PRC1336	1	Cable washer pump to wiper plug
10	SP910201L	2	Screw 10unf x 5/8"
11	WM702001L	2	Washer spring
12	WA702101L	2	Washer plain
13	HN2005L	2	Nut
14	17H8580	a/r	Tubing pump to T piece 60"
15	DZB3578	1	T piece
16	DRC1021	2	Jet Bonnet mounted
17	17H3590	a/r	Tube jet to T piece 25"
18	345862	4	Edge Clip
19	532387	2	O ring



MILITARY VEHICLE

fiche2
B1

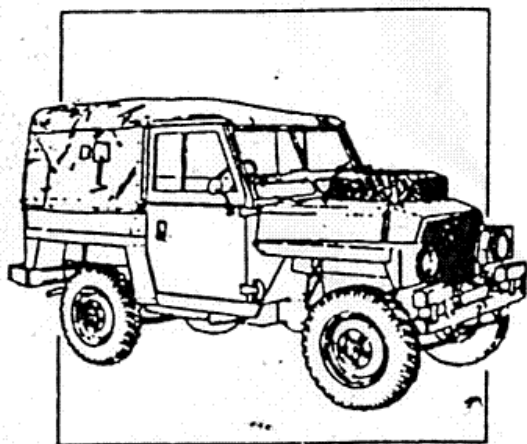
INTRODUCTION PAGES

SERIES III

88" - 1/2 ton MILITARY VEHICLE
(Air Portable - Lightweight)
12 and 24 volt

Part No. RTC9968FA

June 1993



Whilst every effort is made to ensure the accuracy of the particulars contained in this Catalogue, modifications and vehicle specification changes may affect the information specified. No responsibility is accepted for the incorrect supply of parts or any other consequence that may arise as a result of information in this Catalogue not being in accord with modifications or vehicle specification changes which are subsequent to the date of this catalogue. Also no responsibility is accepted for the incorrect supply of parts or any other consequence that may arise as a result of any misinterpretation of the information specified in this Catalogue.

© LAND ROVER UK LTD 1993

All rights reserved. No part of this publication may be reproduced, stored in a retrieval system or transmitted, in any form, electronic, mechanical, photocopying, recording or other means without prior written permission from Land Rover Parts Ltd.

PARTS CATALOGUE



LAND ROVER
PARTS LTD

A

Air cleaner support 2C3
 Alt/fan belt pair 1D4
 Alternator belt pair 1D4
 Alternator mountings 24volt 1D3
 Alternator 24volt 1D2
 Alternator/damper pulleys & belts 1D4
 Ammeter vehicle/radio 1O10
 Ammeters 24 volt (up to 1978) 1O10
 Antiburst lock lh 2C14
 Antiburst lock rh 2C15
 Arm mirror head 2D7
 Axle - front 1G3
 Axle - rear 1G8
 Axle assembly rear 1G8
 Axle assy front lh stg 1G3
 Axle assy front rh stg 1G3
 Axle case - front 1G4
 Axle case - rear 1G7
 Axle case front 1G4
 Axle case rear 1G7

B

Backrest seat rear 2E3
 Barrel and 2 keys 1O4
 Batteries vehicle 24volt 1N6
 Battery box 1N7
 Battery box 1N6
 Battery box (sept 79 onwards) 24v 1N6
 Battery box (up to sept 79) 24vcl 1N7
 Battery clamp 1N6
 Battery clamping frame 1N7
 Battery cover 1N7
 Battery cover 1N6
 Battery dry charged 1N6
 Bell crank and control rod 1I3
 Belt seat centre lap 2E4
 Belt seat inertia lh 2E4
 Belt seat inertia rh 2E4
 Belt seat static lh 2E4
 Belt seat static rh 2E4
 Body rear lower 2D2 - D3
 Body rear upper 2D4
 Body rear upper assembly lh 2D8

Body rear upper assembly rh 2D5
 Bonding leads 24 volt 1N15
 Bonnet 2C11
 Bonnet - spare wheel fixings 2D6
 Bonnet assembly 2C11
 Bonnet catch complete 2C10
 Box terminal/armphenol 1N16
 Bracket mounting inertia 2E5
 Bracket striking plate lh 2D4
 Bracket striking plate rh 2D4
 Bracket tool support axle 2C18
 Breather 1E3
 Buffer axle front 2C2
 Buffer axle rear 2C2
 Buffer check strap 2C14
 Buffer check strap 2C15
 Bulb convoy lamp 1N5
 Bulb fog lamp 1N5
 Bulb for flasher lamp 1N4
 Bulb for flasher lamp 1N4
 Bulb for sidelamp 1N4
 Bulb for stop/tail lamp 1N4
 Bulb hazard warning 1N18
 Bulb hazard warning 1N16
 Bulb headlamp 1N2
 Bulb headlamp 1N3
 Bulb instruments 1N18
 Bulb number plate lamp 1N4
 Bulb warning lights 1N18
 Bumper and bumperettes 2C4
 Bumper front 2C4
 Bumperette front 2C4
 Bumperette rear 2C4

C

Cable alternator to 1N16
 Cable generator panel to 1N16
 Cable shunt box to 1N16
 Cable shunt box to 1N16
 Cable speedometer 1O9
 Cable terminal box to 1N16
 Cap & stud assembly 1G5
 Cap & stud assembly 1G8
 Carburettor elbow 1C13
 Casing 1E3
 Chain lower tailboard 2C17

Chain tailboard upper 2C18
 Charging system 24 volt (from 197 1N16
 Chassis frame 2C2
 Chassis frame 2C2
 Check strap mtg bracket 2C15
 Clamp assembly windscreen 2C13
 Clamping bolt batt.cover 1N7
 Cold start control 1N18
 Column mounting 1H3
 Column shroud 1H2
 Condenser high temp 1C16
 Contact set 1C16
 Convoy lamp 1N5
 Corner protection angle 2D5
 Cotter and chain complete 2DJ
 Cover assy strg box lh 2C12
 Cover assy strg box rh 2C12
 Cover front 1C6
 Cover side 1C3
 Cover wiper motor 2C8
 Crankcase emission control 1C13 - C14
 Crankshaft pulley 1C4
 Cross shaft 1I2
 Crossmember no.4 2C2
 Cushion seat front 2E2
 Cushion seat rear 2E3
 Cylinder head 1C11

D

Dash 2C7 - C8
 Dash assembly 2C7
 Dash tie bar 2C7
 Dash ventilator control 2C8
 Distributor (early type) 24volt 1C16
 Distributor (latest type) 24volt 1C17
 Door front lh 2C14
 Door front rh 2C15
 Door hinge 2C14
 Door hinge 2C15
 Door hinge pin lower lh 2C7
 Door hinge pin lower rh 2C8
 Door hinge pin upper lh 2C7
 Door hinge pin upper rh 2C8

E

Emission control valve 1C13
 Engine assembly 12 & 24 volt 1C2
 Engine breather filter 1C13
 Exhaust system 1L2
 Extension assy wing lh 2C12
 Extension assy wing rh 2C12

F

Fan belt 1C7
 Fan blade assembly 1C7
 Fan pulley 1C7
 Fan/alt belts (paired) 1C7
 Filter unit 1C18
 Fixed window 2C16
 Flame trap 1C13
 Floor and sill panels front 2C5
 Flyscreen dash vent inner 2C6
 Flyscreen dash vent outer 2C6
 Flyscreen dash vent outer 2C6
 Fog lamp rear guard 1N5
 Frame seat rear 2E3
 Front door assembly lh 2C14
 Front door assembly rh 2C15
 Front flasher lamp 1N4
 Front floor plate lh 2C5
 Front floor plate rh 2C5
 Front spring drivers side 1G9
 Front spring passeng side 1G9
 Fuel gauge 1O6
 Fuel tank complete 1K2
 Fuel tank gauge unit 1K2

G

Gasket cylinder head 1C11
 Gauge fuel 12 volt 1O7
 Gauge fuel 24 volt 1O7
 Gauge oil temperature 1O7
 Gauge water temperature 1O7
 Gearbox 1E2
 Gearbox cover 2C5
 Gearbox oil filling 2C5

G - Continued

Generator panel 1N13
 Generator panel 24 volt 1N13
 Glass windscreen 2C13
 Grille mesh 2C10
 Grouped instrument panel 1O7
 Grouped instrument panel 1O7
 Grouped instrument panel 1O8
 Grouped instrument panel 1O8
 Gussat bracket 2D3

H

Hand throttle 1H4
 Hand throttle control rod 1H4
 Harness - chassis 1N11
 Harness - engine 1N12
 Harness - main - lh stg 1N10
 Harness - main - rh stg 1N9
 Harness chasae 1N11
 Harness engine 1N12
 Harness main to stg 1N10
 Harness main th stg 1N9
 Harness 6-way switch 1O3
 Headlamp assembly 1N2
 Headlamp assy less bulb 1N3
 Headlamp side dip 1N3
 Headlamp vertical dip 1N2
 Heater 1M2
 Heater recirculating 1M2
 Hinge bonnet lh 2C11
 Hinge bonnet rh 2C11
 Hood 2D9
 Hood 2D9
 Horn 1O8
 Horn 24volt 1O8
 Hub driving member 1G5
 Hub driving member 1G8

I

Idle assembly 24volt 1C8
 Ignition coil and filter 24volt 1C18
 Inertia 2E5
 Inhibitor for infra 1O3
 Instrument panel grouped (from 1 1O8
 Instrument panel grouped (up to 1O7
 Insulation battery cover 1N7

K

Keeper plate terminal box 1N18
 Kit master cylinder 1J2
 Kit servo unit overhaul 1J2

L

Lamps front and rear 1N4 - N5
 Land rover name plate 2C10
 Land rover name plate 2D5
 Lens brake warning light 1O2
 Lens for rr flasher lamp 1N4
 Lens for sidelamp 1N4
 Lens for stop/tail lamp 1N4
 Lens front flasher lamp 1N4
 Lens ignition warning 1N18
 Lens indicator warning 1N18
 Lens rear fog warning 1O2
 Lens trailer ind warning 1N18
 Lid seat base centre 2C9
 Lid seat base outer 2C9
 Lifting & towing rings 2G2
 Lifting and towing rings 2G2
 Light unit 1N2
 Lock set antiburst 2C14
 Lock set antiburst 2C15
 Loop seat belt 2E5
 Lower tailboard assembly 2C17
 Lug tailboard chain 2C17
 Lug tailboard chain 2C18

M

Main body - carburettor 1C15
 Master cylinder 1J2
 Master cylinder, servo & shuttle 1J2
 Mirror complete wing 2D7
 Mirror head 2D7
 Mirrors 2D7
 Motor wiper less shaft 1O11
 Mudshield front wing lh 2C12
 Mudshield front wing rh 2C12

N

Nato socket 2G3
 Nato socket c/w leads 2G3

O

O ring-cap. & stud to 1G8
 O ring-cap and stud to 1G5
 Oil filter cap 1C8
 Oil filter cap 1E3
 Oil filter pipe 1C6
 Oil filter 1C10
 Oil pump 1C9
 Oil temperature gauge 1O8
 Output shaft 1E4

P

Panel main switch 1N18
 Panel 6-way switch 1O3
 Pipe breather remote 1G3
 Pipe exhaust front 1L2
 Pipe exhaust intermediate 1L2
 Pipe remote breather 1G6
 Plate protection lh 2C2
 Plate protection rh 2C2
 Plate spring bottom 1G10
 Plate spring bottom 1G10
 Plate spring bottom 1G14

Plate spring bottom 1G14
 Plug for transfer box 1F2
 Plug sparking 1C18
 Prop bonnet 2C11
 Propshaft - rear 1G2
 Propshaft rear 1G2
 Protection cap nato sid 2G3
 Pulley alternator 1D4
 Pulley crankshaft 1C4
 Pulley damper 1O4
 Pulley idler assembly 1C8

R

Radiator grille and bonnet catch 2C10
 Radiator grille complete 2C10
 Rail seat belt 2E5
 Rear body lower assembly 2D2
 Rear body upper assy lh 2D6
 Rear body upper assy rh 2D5
 Rear lamp prot.plate rh 2D2
 Rear spring drivers side 1G13
 Rear spring passeng.side 1G13
 Red reflector 1N4
 Registration plate 2C17
 Relay - auxiliary 1O5
 Relay - hazard warning 1O5
 Relay - horn 1O5
 Relay - infra red 1O5
 Relay 6ra - brake check 1O5
 Relay 6ra - rear fog 1O5
 Relays 1O5
 Rod check strap 2C14
 Rod check strap 2C15
 Rod control relay to 1I3
 Rod tie engine 2C2
 Rope hook 2D5
 Rope hook 2D6
 Roto arm 1C16
 Rr flasher lamp less bulb 1N4
 Rr number plate lamp c/w 1N4

S

Seal retainer vent panel 2C8
Sealing rubber door 2C18
Sealing rubber door 2D4
Sealing rubber upper body 2D5
Sealing rubber upper body 2D6
Seal base 2C9
Seal base assembly 2C9
Seat front(charcoal) 2E2
Seat rear (charcoal) 2E3
Servo unit 1J2
Shaft & gear wiper motor 1O11
Shaft & hub driving member - front 1G5
Shaft & hub driving member - rear 1G8
Shaft and joint complete 1G5
Shaft and joint complete 1G5
Shaft axle rear lh 1G8
Shaft axle rear rh 1G8
Shaft cross accelerator 1J2
Shaft half lh inner 1G5
Shaft half rh inner 1G5
Shaft stub outer 1G5
Shim body mounting 2D2
Shim chassis body bracket 2D3
Shim striker plate 2D4
Shock absorber front 1G12
Shock absorber rear 1G12
Shock absorbers 1G12
Shunt box assembly 1N14
Shunt box assembly (chw) 1N14
Shunt box 24volt 1N14
Sidelamp less bulb 1N4
Sidescreen assembly lh 2C18
Sidescreen assembly rh 2C18
Sidescreens 2C18
Silencer complete 1L2
Silencer complete 1L2
Sill panel lh 2C5
Sill panel rh 2C5
Sliding window 2C18
Socket inspection lamp 1N18
Socket inspection lamp 1N18
Speedometer 1O9
Speedometer kph 1O9
Speedometer mph 1O9
Spring u bolts & bottom plates fr 1G10 - G11

Spring u bolts & bottom plates re .J14
Springs road front 1G9
Springs road rear 1G13
Squeeb seal front 2E2
Staple for hood strap 2D5
Staple for hood strap 2D6
Staple ret spare wheel 2D6
Starter motor 24volt 1D5 - D6
Starter solenoid 24volt 1D7
Starting dog & guide 1C4
Starting handle 2F3
Starting handle 2F3
Starting handle 2F3
Static (up to June 81) 2E4
Stop/tail lamp less bulb 1N4
Strap check rebound 2C2
Strap ret spare wheel 2D6
Striker 2C11
Striking plate dr lock lh 2D4
Striking plate dr lock rh 2D4
Sump 1C5
Support air cleaner 2C3
Support block spare wheel 2D8
Suppression box 1O11
Switch brake warning 1N18
Switch brake warning 1N18
Switch cold start control 1O2
Switch hazard warning 1N18
Switch headlamp dip/ 1N17
Switch headlamp dip/indicator & h 1N17
Switch heater 2 position 1N18
Switch ignition starter 1O4
Switch intra red 1O3
Switch panel light 1N18
Switch panel main 1N18 - O2
Switch rear fog lamp 1U2
Switch starter 1O4
Switch starter solenoid 1D7
Switch windscreen wiper/ 1O3
Switch 6-way lighting 1O3
Switch 6 way lighting 1O3

T

T bolt battery clamping 1N7
Tailboard buffer 2D6
Tailboard buffer 2D6
Tailboard chain bracket 2O3

Tailboard lower 2C17
Tailboard upper 2C18
Tailboard upper assembly 2C18
Tanks and fittings 1K2
Thermostat & housing 1C12
Timing pointer 1C6
Toolbox 2F2
Toolbox assembly 2F2
Top capping assembly lh 2D6
Top capping assembly rh 2D5
Towing hook and lifting rings 2G2
Towing hook complete 2G2
Transfer casing 1F2
Tread plate rear floor 2D2
Trip reset cable 1O9

U

U bolt front plate 1G10
U bolt plate rear 1G14

V

Valve shuttle 1J2
Ventilator and lid lh 2C6
Ventilator and lid rh 2C6
Ventilator panel assembly 2C6
Ventilators and flyscreens 2C6

W

Water container 1O12
Water pump and fan 1C7
Water temperature gauge 1O8 -
Windscreen 2C13
Windscreen complete assembly 2C13
Windscreen washer pump 1O12
Windscreen washers 1O12
Windscreen wiper motor 1O11
Wing front assembly lh 2C12
Wing front assembly rh 2C12
Wings 2C12



MASTER INDEX

	PAGES
INTRODUCTION AND ALPHABETICAL INDEX	1 ROW B
ENGINE	1 ROW C - D
GEARBOX	1 ROW E
TRANSFER BOX	1 ROW F
AXLES AND SUSPENSION	1 ROW G
STEERING	1 ROW H
VEHICLE AND ENGINE CONTROLS	1 ROW I
BRAKES	1 ROW J
FUEL SYSTEM AND AIR CLEANER	1 ROW K
EXHAUST SYSTEM	1 ROW L
COOLING/HEATING	1 ROW M
BODY ELECTRICAL	1 ROW N - O
INTRODUCTION AND ALPHABETICAL INDEX	2 ROW B
BODY AND CHASSIS	2 ROW C - D
SEATS	2 ROW E
STOWAGE	2 ROW F
MISCELLANEOUS - PAINTS ETC	2 ROW G
NUMERICAL INDEX	2 ROW H
NEW PARTS TO FICHE	2 ROW H

GROUP N

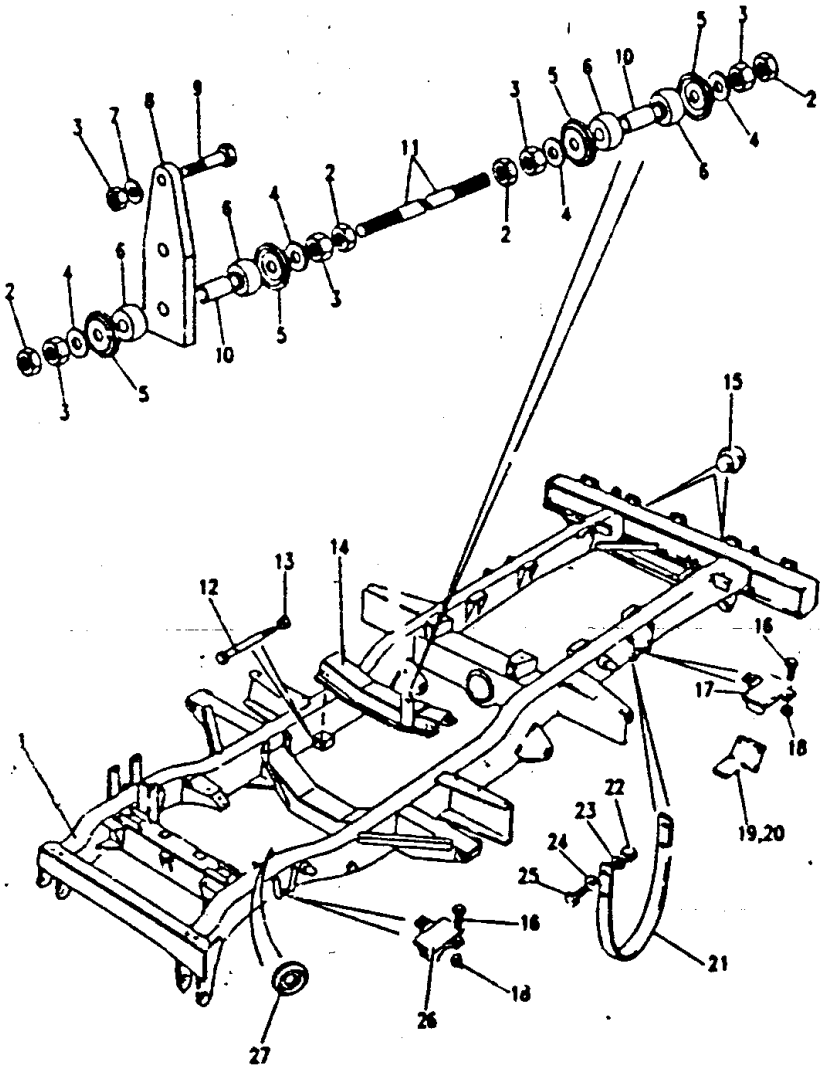
BODY AND CHASSIS

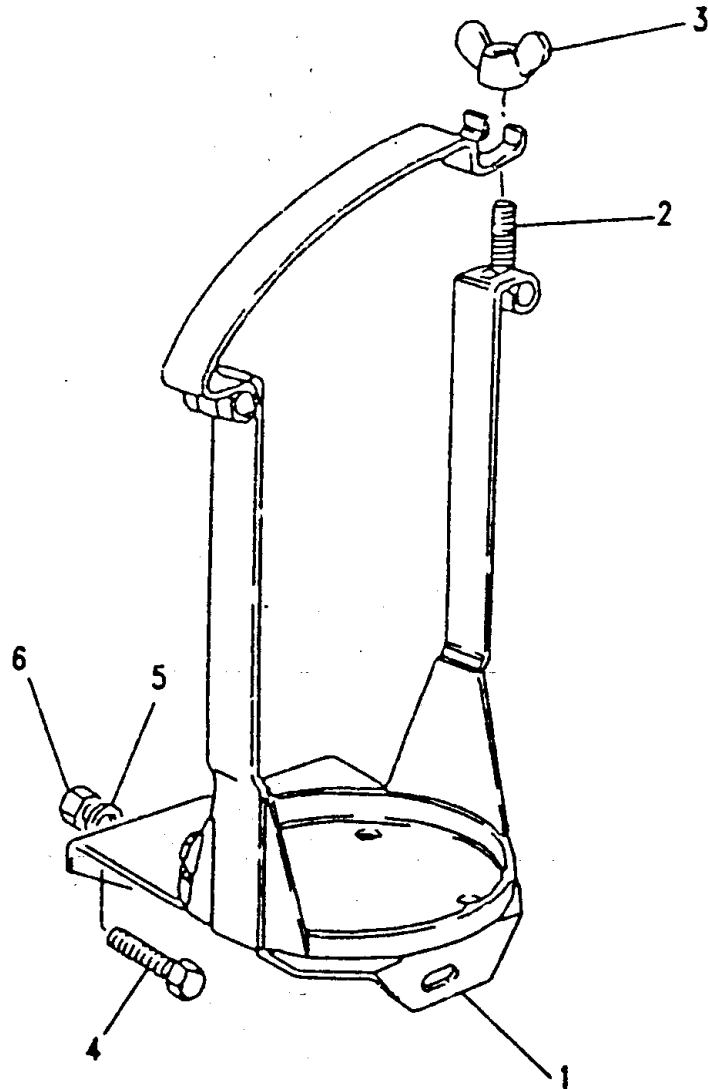
BODY AND CHASSIS	
CHASSIS FRAME	2 C2
AIR CLEANER SUPPORT	2 C3
BUMPER AND BUMPERETTES	2 C4
FLOOR AND SILL PANELS FRONT	2 C5
VENTILATORS AND FLYSCREENS	2 C6
DASH	2 C7 - C8
SEAT BASE	2 C9
RADIATOR GRILLE AND BONNET CATCH	2 C10
BONNET	2 C11
WINGS	2 C12
WINDSCREEN	2 C13
DOOR FRONT LH	2 C14
DOOR FRONT RH	2 C15
SIDESCREENS	2 C16
TAILBOARD LOWER	2 C17
TAILBOARD UPPER	2 C18
BODY REAR LOWER	2 D2 - D3
BODY REAR UPPER	2 D4
BODY REAR UPPER ASSEMBLY RH	2 D5
BODY REAR UPPER ASSEMBLY LH	2 D6
MIRRORS	2 D7
BONNET - SPARE WHEEL FIXINGS	2 D8
HOOD	2 D9

Model MILITARY VEHICLE
Page YWNXAA1A

CHASSIS - CHASSIS FRAME

III. Part No.	Description	Qty	Remarks
1	NRC6841	1	Chassis frame
2	NT605061L	4	Locknut
3	NH605041L	6	Nut 5/16"unf
4	4868L	4	Washer plain
5	7015L	4	Washer cup
6	7014	4	Bush rubber
7	WM600051L	2	Washer spring
8	543582	1	Bracket tie rod
9	BH605121L	2	Bolt 5/16"unf x 1.1/2"
10	504607	2	Sleeve
11	504606	1	Rod tie engine
12	BH606281L	2	Bolt 3/8"unf x 3.1/2"
13	NY606041L	4	Nut self locking 3/8"unf
14	552457	1	Crossmember No.4
15	338020	2	Plug sealing
16	SH604061L	8	Bolt 1/4"unf x 3/4"
17	241280	2	Buffer axle rear
18	NY604041L	8	Nut self locking
19	NRC7315	1	Plate protection lh
20	NRC7314	1	Plate protection rh
21	237100	2	Strap check rebound
22	NH606041L	8	Nut 3/8"unf
23	WM600061L	8	Washer spring
24	2851L	8	Washer plain
25	SH606081L	8	Bolt set 3/8"unf x 1"
26	556782	2	Buffer axle front
27	276053	1	Grommet





Model MILITARY VEHICLE
Page YWNXAA2A

CHASSIS - AIR CLEANER SUPPORT

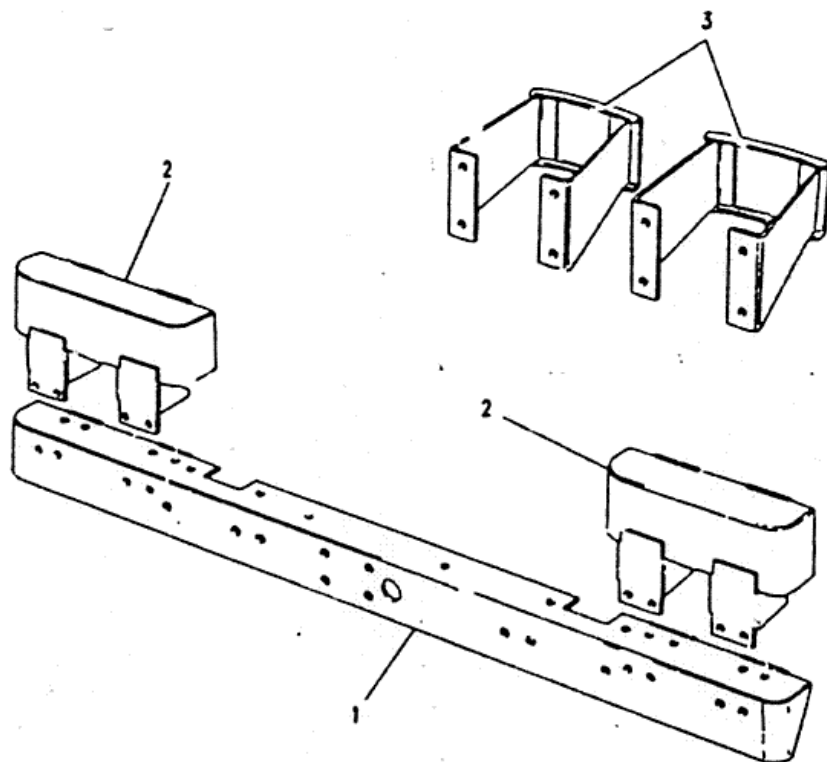
M. Part No.	Description	Qty	Remarks
1	NRC3667 Support air cleaner	1	
2	232538 Bolt clamp	1	
3	250431 Nut wing	1	
4	255208 Bolt 1/4"unf x 5/8"	3)Support to
5	WM600041L Washer spring	3)chassis
6	NH604041L Nut 1/4"unf	3)

Model MILITARY VEHICLE

Page YWNXAC1A

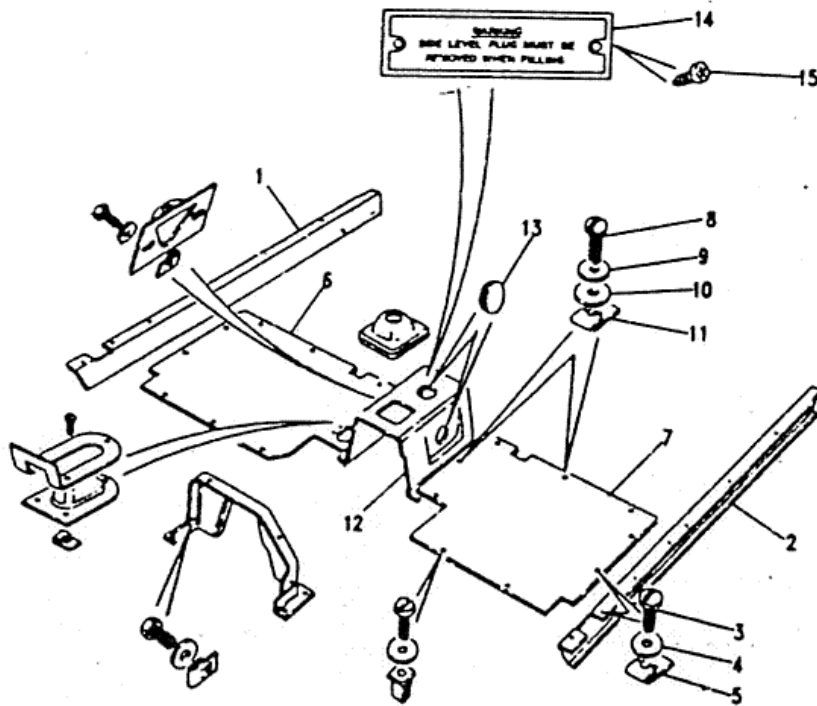
BODY - BUMPER AND BUMPERETTES

III. Part No.	Description	Qty	Remarks
1 568950	Bumper front	1	Upto 1982
NFC6830	Bumper front	1	1982 onwards
SH606071L	Bolt 3/4"unf x 7/8"	4)
BH606181L	Bolt 3/8"unf x 2"	4)Bumper to
WM600061L	Washer spring	8)frame
NH606041L	Nut	8)
2 559868	Bumperette front	2	
SH606071L	Bolt 3/8"unf x 7/8"	16)Bumperette
WA110061L	Washer plain	16)to bumper
WM600061L	Washer spring	16)
3 568908	Bumperette rear	2	
BH606221L	Bolt 3/8"unf x 2.3/4"	8)Bumperette
BH606261L	Bolt 3/8"unf x 3.1/4"	2)to rear
WB110061L	Washer plain	8)crossmember
WM600061L	Washer spring	8)
NH606041L	Nut	8)



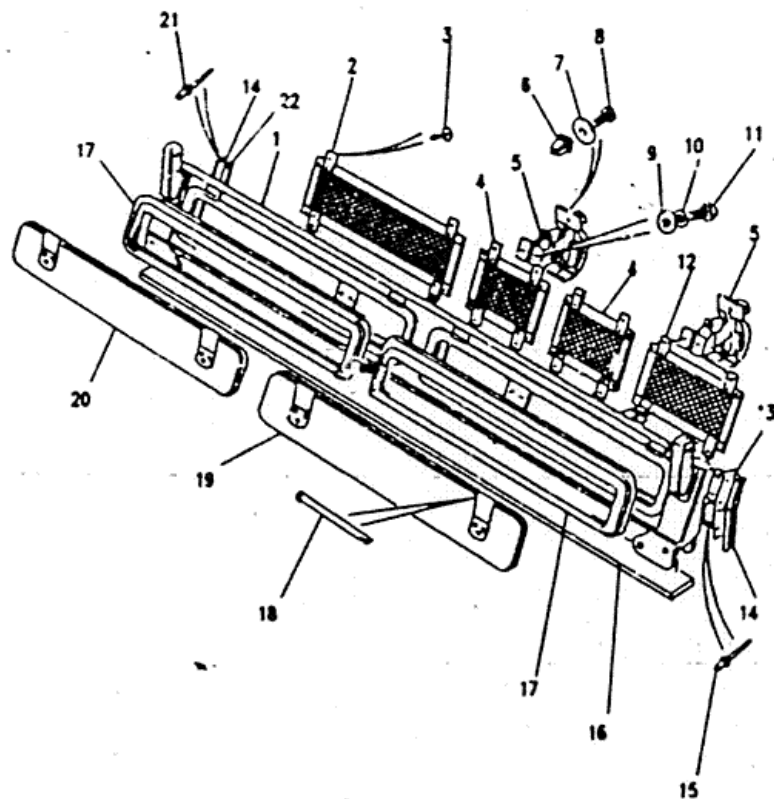
Model MILITARY VEHICLE
Page YWNXBT1A

BODY - FLOOR AND SILL PANELS FRONT



III. Part No.	Description	Qty	Remarks
1 335738	Sill panel rh	1	
2 335739	Sill panel lh	1	
3 78208	Bolt 1/4"unf x 5/8"	12)Sill panels
4 3900L	Washer plain	12)to seat base
5 346073	Spire nut	12)and toe box
6 335666	Front floor plate rh	1	
7 335667	Front floor plate lh	1	
8 320045	Acme bolt	7)Fixing floor
9 3900L	Washer plain	7)plates
10 3817	Washer plain	4)
11 79248	Spire nut	1)
12 335665	Gearbox cover	2	
13 334189	Grommet access holes	2	
14 345917	Instruction plate	1	NLA
15 AB606031L	gearbox oil filling Drive screw plate to gearbox cover	2	

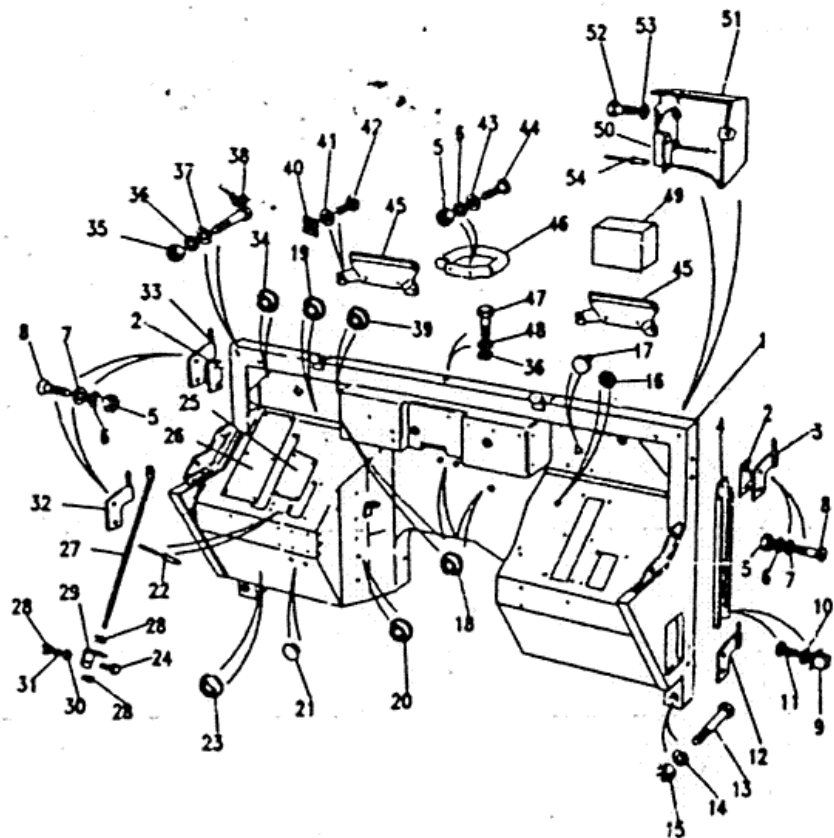
Model MILITARY VEHICLE
 Page YWNXCA1A

BODY - VENTILATORS AND FLYSCREENS


Ill. Part No.	Description	Qty	Remarks
1	MRC2424 Ventilator panel assembly	1	
2	MRC2365 Flyscreen dash vent outer	1	Rh
3	AB606031L Drive screw no.6 x 3/8"	16	
4	346129 Flyscreen dash vent inner	2	
5	MRC7013 Dash ventilator control	2	
6	78237 Spire nut	4	
7	4034L Washer plain	4	
8	AB610055 Drive screw no.10 x 5/8"	4	
9	WC702101L Washer plain	4	
10	WM702001L Washer spring	4	
11	SH702201 Set bolt 2ba x 1/2"	4	
12	346128 Flyscreen dash vent outer	4	Lh
13	335499 Seal retainer vent panel	1	Lh
14	346391 Seal retainer	2	
15	11248 Pop rivet	6	
16	346290 Sealing strip vent panel	1	
17	MRC2913 Sealing rubber ventilator	2	
18	334121 Hinge pin vent lid	4	
19	ALR1619 Ventilator and lid lh	1	
20	ALR1618 Ventilator and lid rh	1	
21	RU608183L Pop rivet	8	
22	335498 Seal retainer vent panel	1	Rh

Model MILITARY VEHICLE
Page YWNXCC1A

BODY - DASH



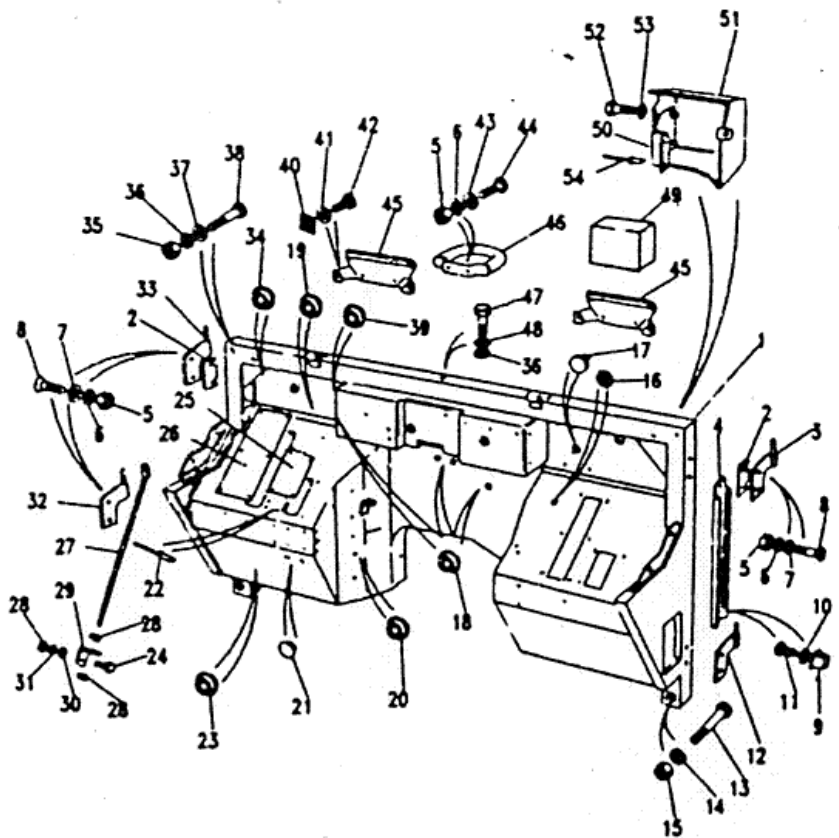
Ill. Part No.	Description	Qty	Remarks
1	MRC3227 Dash assembly	1	NLA
2	346109 Packing piece door hinge	2	Upper
3	346008 Door hinge pin upper lh	1	
4	335857 Finisher dash side frame	2	
5	NH604041L Nut 1/4unf	10	
6	WM600041L Washer spring	10	
7	3900L Washer plain	8	
8	SA604081 Screw 1/4unf x 3/4"	8	
9	369077 Lokut nut	4	NLA
10	4032L Washer plain	4	
11	AB606031L Drive screw No.6 x 3/8"	4	
12	346010 Door hinge pin lower lh	1	
13	336738 Tie bolt 1/2unf	2	
14	WC112081L Washer plain	2	
15	NH608061L Nut 1/2unf	2	
16	235113 Grommet	1	
17	332847 Buffer brake and clutch Pipes	6	
18	338020 Blanking plug	4	
19	338029 Blanking plug	4	
20	338015 Blanking plug	1	
21	73198 Blanking plug	2	
22	78248 Pop rivet	10	
23	338013 Blanking plug	1	
24	SH606071L Bolt 3/8unf x 3/4"	1	
25	330143 Cover plate clutch pedal Hole	1	NLA
26	348599 Cover plate brake pedal Hole	1	
27	348293 Dash tie bar	1	NLA
28	NH606041L Nut 3/8unf	3	
29	348294 Mounting angle	1	NLA
30	WB110081L Washer plain	1	
31	WM600081L Washer spring	1	

Model MILITARY VEHICLE

Page YWNXC1A

BODY - DASH
WL Part No.
Description
Qty Remarks

32	346009	Door hinge pin lower rh	1	
33	346007	Door hinge pin upper rh	1	
34	BD15588/8	Blanking plug	1	NLA
35	NH605041L	Nut 5/16unf	4	
36	WM600051L	Washer spring	7	
37	RTC613	Washer plain	4	
38	255239	Bolt 5/16unf x 2.3/4"	4	NLA
39	338023	Blanking plug	1	
40	78237	Spire nut	4	
41	4034L	Washer plain	4	
42	AB610057	Drive screw no.10 x 5/8"	4	NLA
43	3831L	Washer plain	2	
44	78210	Screw 1/4unf x 3/4"	2	
45	347832	Mounting plate demisters	2	
46	346399	Grab handle dash	1	
47	SH605061L	Bolt 5/16unf x 3/4"	3	
48	3966L	Washer plain	3	
49	346296	Seal electrical equip.box	2	
50	346283	Mounting bracket	1	
51	348456	Cover wiper motor	1	
52	78301	Screw 10unf x 3/8"	2	NLA
53	4030L	Washer plain	2	
54	RU608183L	Pop rivet	2	

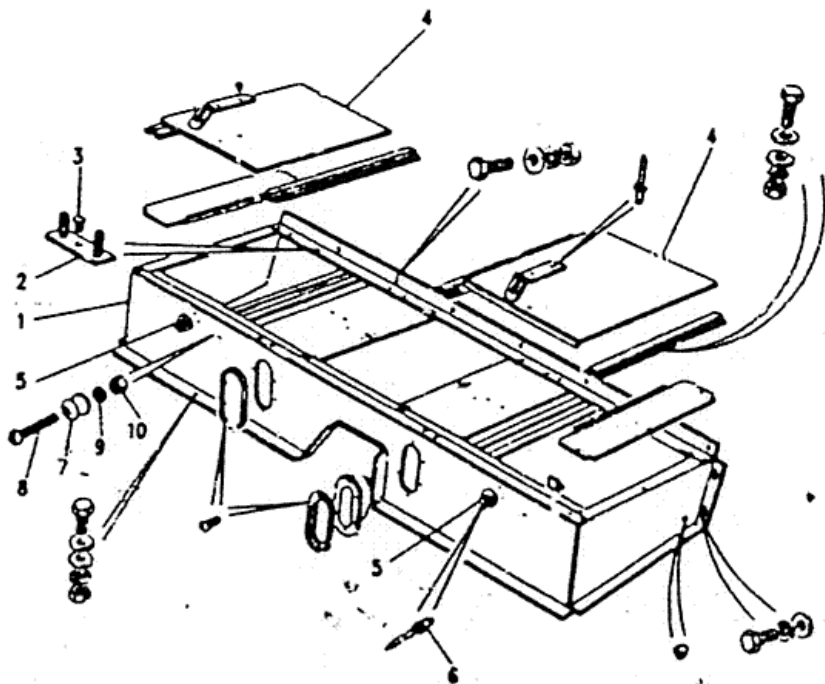


Model MILITARY VEHICLE

Page YWNXC1A

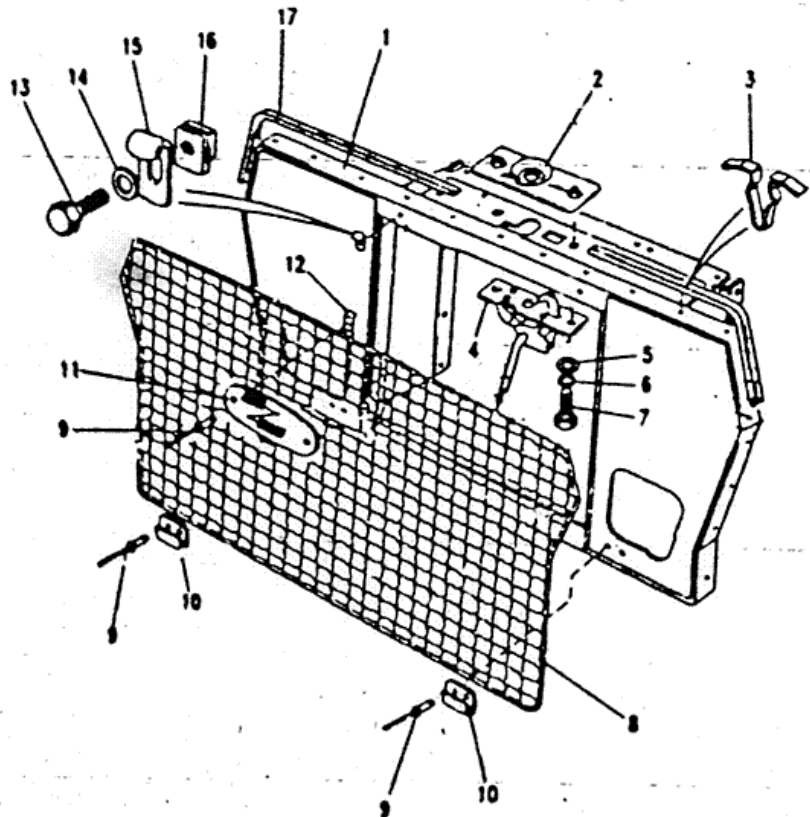
SEATS - SEAT BASE

Ill. Part No.	Description	Qty	Remarks
1 J96140	Seat base assembly	1	UP TO 1980
MTC1282	Sea' base assembly	1	FROM 1980
2 MRC5509	Bolt plate rear o/s seat base	2	
3 73979	Rivet	2	
4 MRC4774	Lid seat base outer	2	
MRC2958	Lid seat base centre	1	
5 334523	Hasp	2	
6 7b248	Rivet	8	
7 348430	Stud retaining strap	2	
8 78120	Screw	2	
9 WM702001L	Washer spring	2	
10 RTC608	Nut	2	



Model MILITARY VEHICLE
Page YWNXDA1A

BODY - RADIATOR GRILLE AND BONNET CATCH

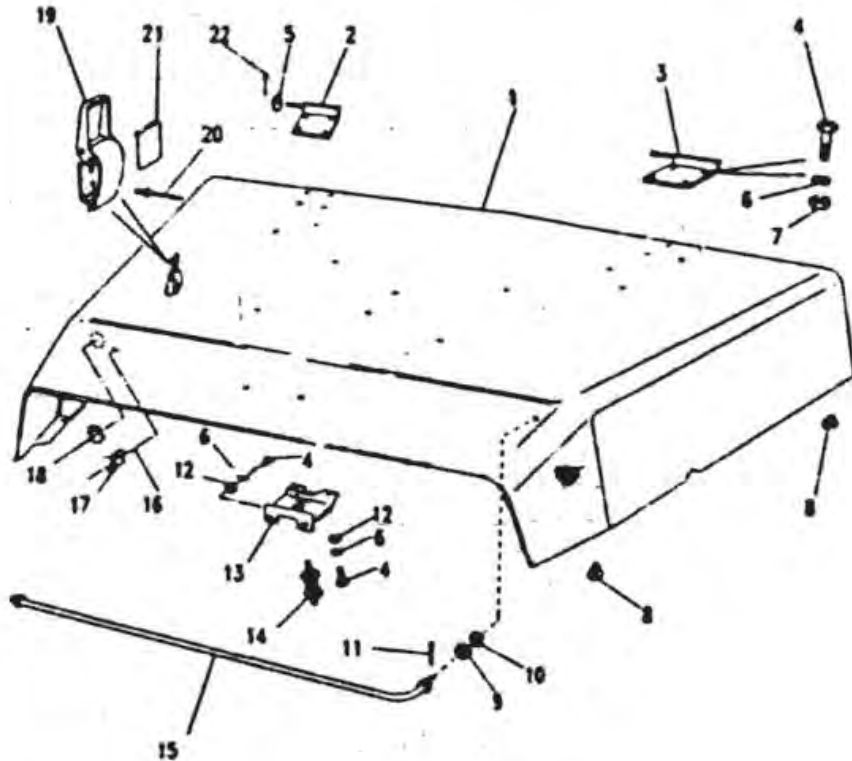


M. Part No.	Description	Qty	Remarks
1 347818	Radiator grille complete	1	
2 332403	Washer plate bonnet catch	1	
3 338380	Spring clip bonnet rest strap	15	
4 332401	Bonnet catch complete	1	
5 RTC809	Washer plain	2	
6 WM600041L	Washer spring	2	
7 255206	Bolt	2	
8 347094	Grille mesh	1	
9 78248	Rivet clips to grille	6	
10 335584	Clips grille mesh	2	
11 332670	Land rover name plate	1	
12 545883	Clip	2	
13 78278	Screw 10unf x 1/2"	2	
14 WC702101L	Washer plain	2	
15 334465	Retaining hook grille	2	
16 364175	Spire nut 10unf	2	NLA
17 335379	Bonnet rest strip	1	

Model MILITARY VEHICLE

Page YWNXDE1A

BODY - BONNET



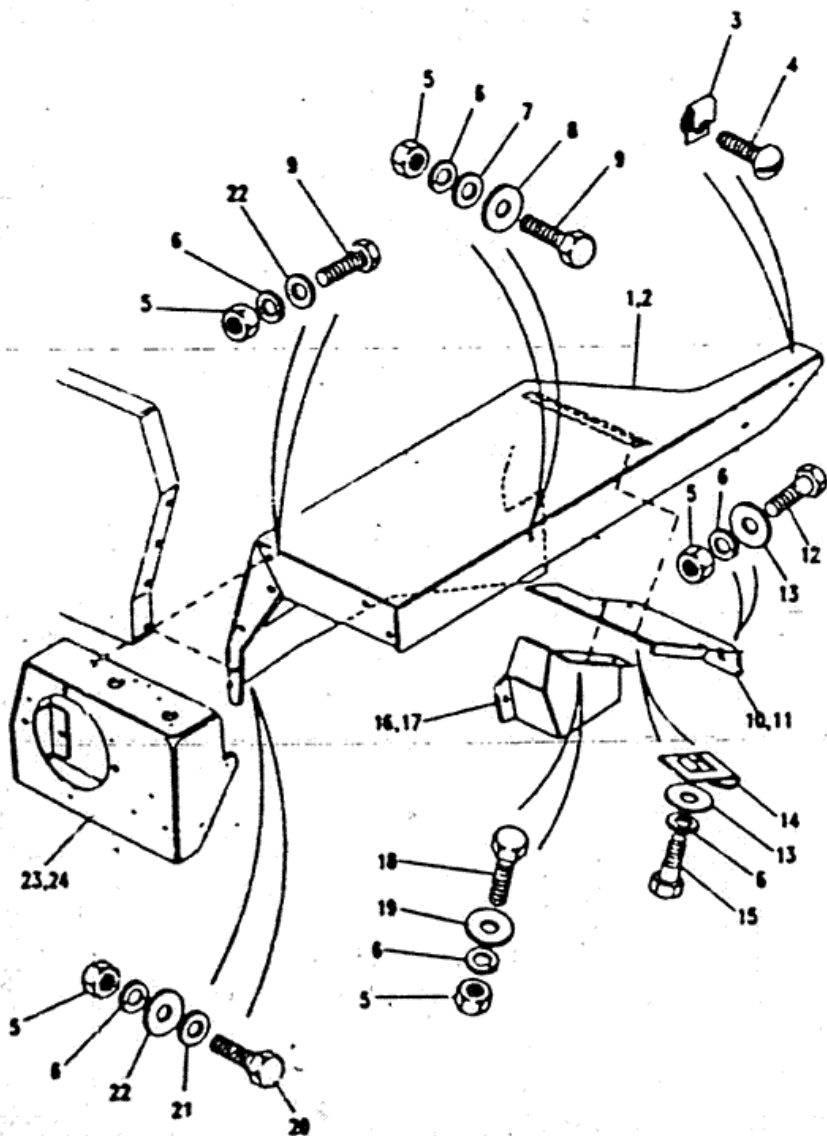
ML Part No.	Description	Qty	Remarks
1 MTC1622	Bonnet assembly	1	NLA
2 335689	Hinge bonnet rh	1	
3 335692	Hinge bonnet lh	1	
4 255206	Bolt 1/4unf x 5/8"	12	
5 RTC1967	Washer plain	1	
6 WM600041L	Washer spring	12	
7 NH604041L	Nut 1/4unf	8	
8 332647	Rubber buffer	4	
9 250995	Grommet prop rod	1	
10 WC112081L	Washer plain	1	
11 4361L	Split pin	1	
12 RTC809	Washer plain	4	
13 335798	Support bracket bonnet	1	
14 MRC8532	Striker Pin bonnet striker	1	
15 335864	Prop bonnet	1	
16 78248	Pop rivet	1	
17 346374	Clip bonnet stay	1	
18 C976L	Grommet	1	
19 346195	Stowage clip	2	
20 78885	Pop rivet	4	
21 346072	Rubber padding stowage	2	
22 PS606051	Clip Split pin	1	NLA

Model MILITARY VEHICLE

Page YWNXE1A

BODY - WINGS

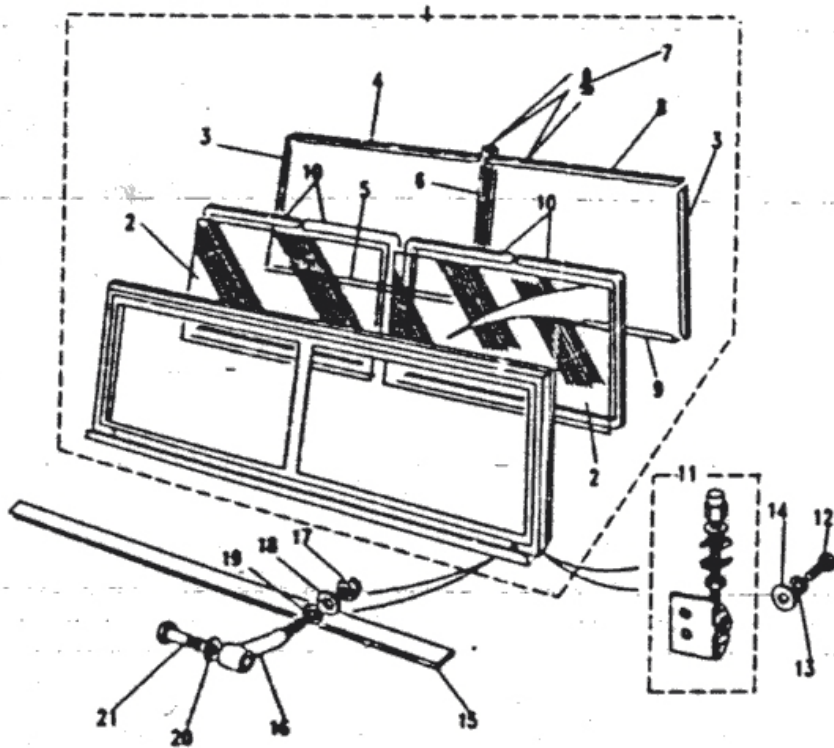
Ill. Part No.	Description	Qty	Remarks
1	MRC2886	1	Wing front assembly lh
2	MRC2885	1	Wing front assembly rh
3	346071	4	Nut 5/16"unf
4	78329	4	Screw 5/16"unf x 3/4"
5	NH604041L	28	Nut 1/4"unf
6	WM600041L	34	Washer spring
7	WA106041L	2	Washer plain
8	2215L	2	Washer plain
9	SH604061L	12	Bolt 1/4"unf x 3/4"
10	335681	1	Mudshield front wing lh
11	335680	1	Mudshield front wing rh
12	255206	4	Bolt 1/4"unf x 5/8"
13	3900L	16	Washer plain
14	79246	6	Spire nut
15	303750	6	Acme bolt 1/4" x 5/8"
16	346256	1	Cover assy strg box lh
17	346255	1	Cover assy strg box rh
18	SH604041L	4	Bolt 1/4"unf x 1/2"
19	3817	4	Washer plain
20	SH605071L	8	Bolt 5/16"unf x 7/8"
21	3831L	8	Washer plain
22	RTC609	18	Washer plain
23	347074	1	Extension assy wing lh
24	347073	1	Extension assy wing rh



Model MILITARY VEHICLE

Page YWNXFA1A

BODY - WINDSCREEN

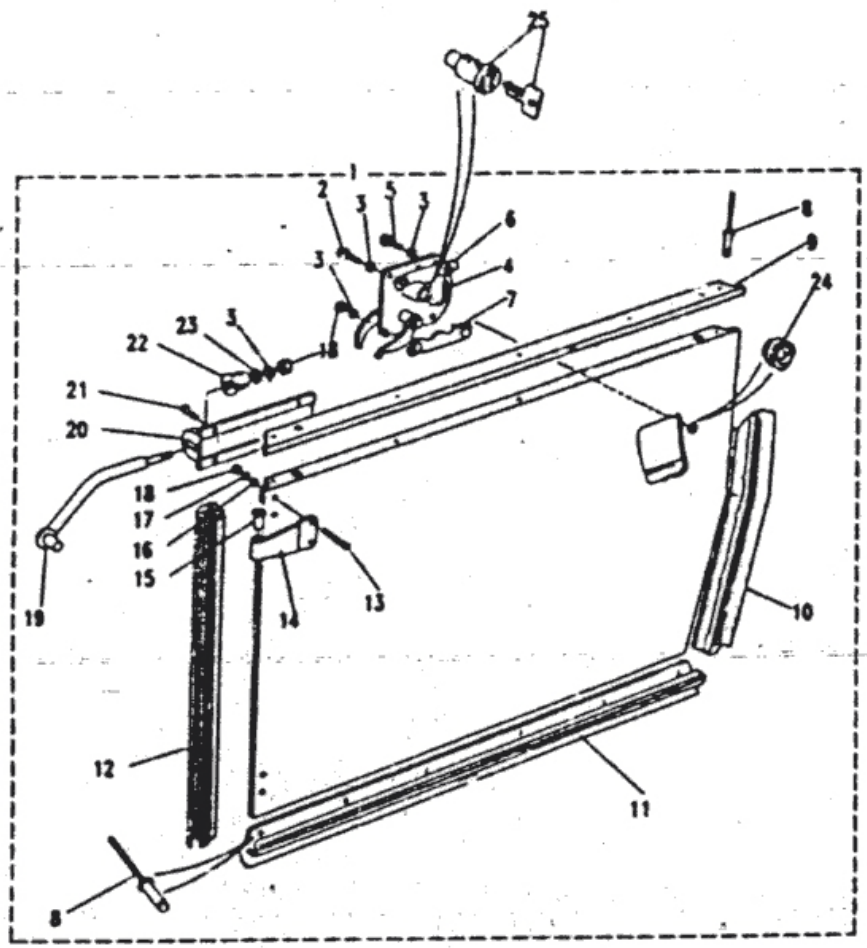


Ill. Part No.	Description	Qty	Remarks
1 348703	Windscreen complete assy	1	
2 MRC6520	Glass windscreen	2	
3 330667	Retainer glass sides	2	
4 330668	Retainer glass top rh	1	
5 347637	Retainer glass bottom rh	1	
6 336422	Cover centre rail	1	
7 AB604031L	Drive screw no.4 x 3/8"	37	
8 330669	Retainer glass top lh	1	
9 347638	Retainer glass bottom lh	1	
10 78159	Glazing strip	A/R	
11 MRC4246	Clamp assembly windscreen	2	
12 SH605051L	Set bolt 5/16unf x 5/8"	4	
13 WM600051L	Washer spring	4	
14 3830L	Washer plain	4	
15 ALR1737	Seal dash to windscreen	1	
16 348984	Hinge arm	2	
17 NY605041L	Self locking nut 5/16unf	2	
18 232038	Copper washer	2	
19 WB108051L	Washer plain	2	
20 4574	Washer plain	2	
21 348989	Hinge bolt	2	



Model MILITARY VEHICLE
Page YWNXGA1A

BODY - DOOR FRONT LH



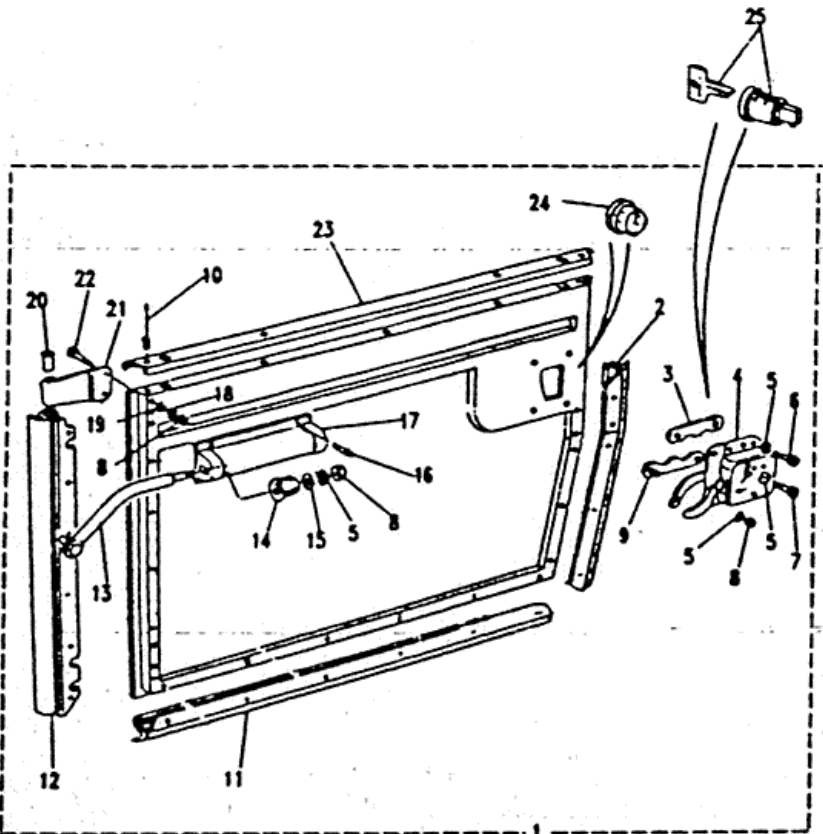
Ill. Part No.	Description	Qty	Remarks
1	MRC4122	1	Front door assembly lh
2	AB604041	2	Drive screw no.4 x 1/2" NLA
3	WM600041L	5	Washer spring
4	395038	1	Antiburst lock lh
5	SE604041L	2	Screw 1/4unf x 1/2"
6	MRC9417	1	Nut retainer
7	MRC9416	1	Screw retainer
8	78248	22	Pop rivet
9	335737	1	Top capping lh
10	348068	1	Seal retainer rear lh)See Note
11	346232	1	Seal retainer bottom lh)below
12	348065	1	Seal retainer front lh)
13	SH604161L	4	Bolt 1/4unf x 1.7/8"
14	335740	2	Door hinge
15	335741	2	Bush for door hinge
16	3831L	4	Washer plain
17	MRC1979	4	Washer Nylon
18	NH604041L	8	Nut 1/4unf
19	348017	1	Rod check strap
20	346019	1	Check strap mtg bracket
21	AB606031L	4	Drive screw No6. x 3/8"
22	306471	1	Buffer check strap
23	4035	2	Washer plain
24	347151	1	Door lock seal
25	395142	1	Lock set antiburst

Note(1) Parts NLA use rubber seal 332564 and cut to size, plus existing metal retainer and rivet 302818 a/r



Model MILITARY VEHICLE
Page YWNXGA2A

BODY - DOOR FRONT RH



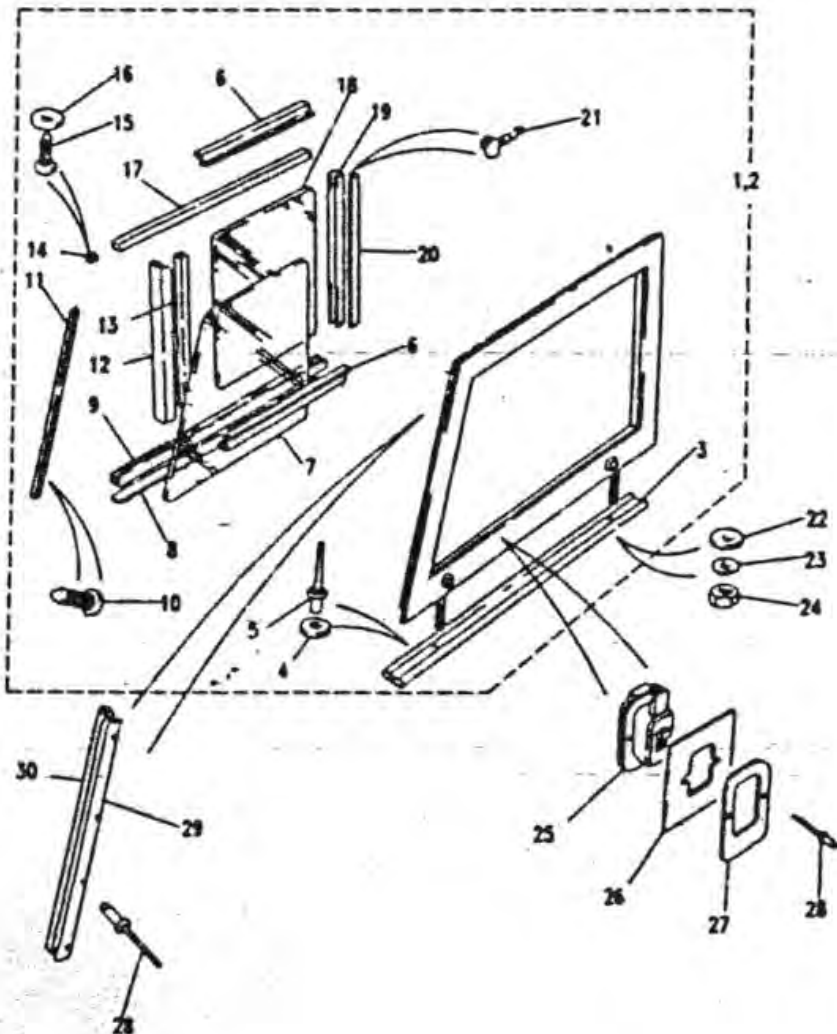
ML Part No.	Description	Qty	Remarks
1	MRC4121 Front door assembly rh	1	
2	346067 Seal retainer rear rh	1	See note below
3	MRC9417 Nut retainer	1	
4	395037 Antiburst lock rh	1	
5	WM600041L Washer spring	5	
6	SE604041L Screw 1/4unf x 1/2"	2	
7	AB604041 Drive screw no.4 x 1/2"	2	NLA
8	NH604041L Nut 1/4unf	8	
9	MRC9416 Screw retainer	1	
10	78248 Pop rivet	22	
11	346231 Seal retainer bottom rh	1)See note
12	346064 Seal retainer front rh	1)below
13	346016 Rod check strap	1	
14	306471 Buffer check strap	1	
15	4035 Washer plain	2	
16	AB606031L Drive screw no.6 x 3/8"	4	
17	346019 Check strap mtg bracket	1	
18	MRC1979 Washer Nylon	4	
19	3831L Washer plain	4	
20	335741 Bush for door hinge	2	
21	335740 Door hinge	2	
22	SH804161L Bolt 1/4unf x 1.7/8"	4	
23	335736 Top capping rh	1	
24	347151 Door lock seal	1	
25	395142 Lock set antiburst	1	

Note(1) Parts NLA use rubber seal 332564 and cut to size, plus existing metal retainer and rivet 302818 afr

Model MILITARY VEHICLE

Page YWNXG1A

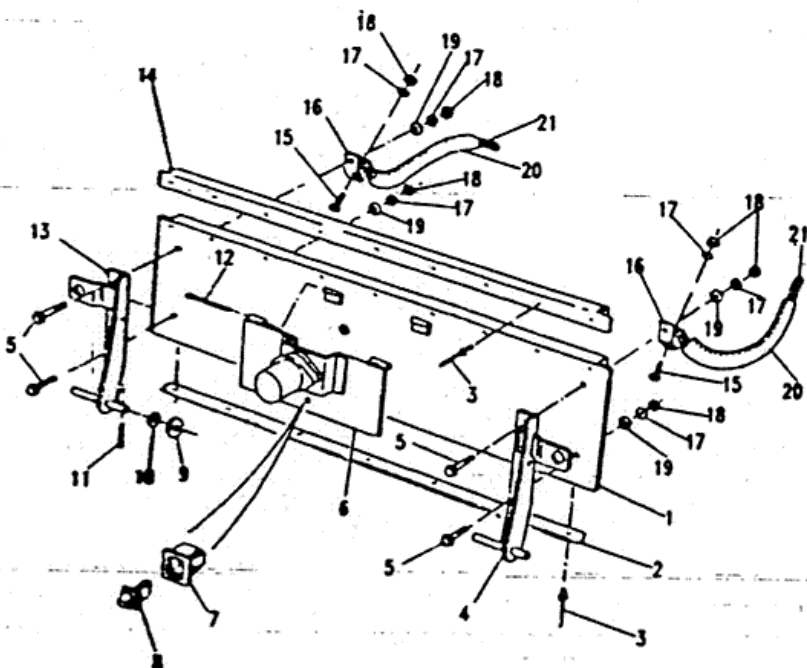
BODY - SIDESCREENS



Ill. Part No.	Description	Qty	Remarks
1	MTC5383	1	Sidescreen assembly lh
2	MTC5382	1	Sidescreen assembly rh
3	330163	1	Sealing strip
4	WB106041L	5	Washer plain
5	78248	5	Pop rivet
6	330202	2	Filter top and bottom
7	MTC5304	1	Fixed window
8	348460	1	Packing strip bottom
9	347488	1	Window light channel
10	AB606031L	5	Drive screw no.6 x 3/8"
11	330198	1	Retainer fixed window
12	330661	1	Channel sliding glass
13	330660	1	Sealing rubber
14	330162	1	Buffer sliding window
15	AB606071L	1	Drive Screw No.6 x 7/8"
16	WA703061L	1	Washer plain
17	336451	1	Window light channel top
18	MTC5305	1	Sliding window
19	330203	1	Filter rear
20	336454	1	Window light channel
21	AC606041L	13	Drive screw No6. x 1/2"
22	RTC811	2	Washer plain
23	WM600071L	2	Washer spring
24	NH607041L	2	Nut 7/16unf
25	347322	1	Window catch
26	349772	1	Mask
27	347526	1	Seal
28	RH608223	8	Pop rivet
29	346393	1	Seal retainer
30	346395	1	Sealing rubber door

Model MILITARY VEHICLE
Page YWNXIA1A

BODY - TAILBOARD LOWER

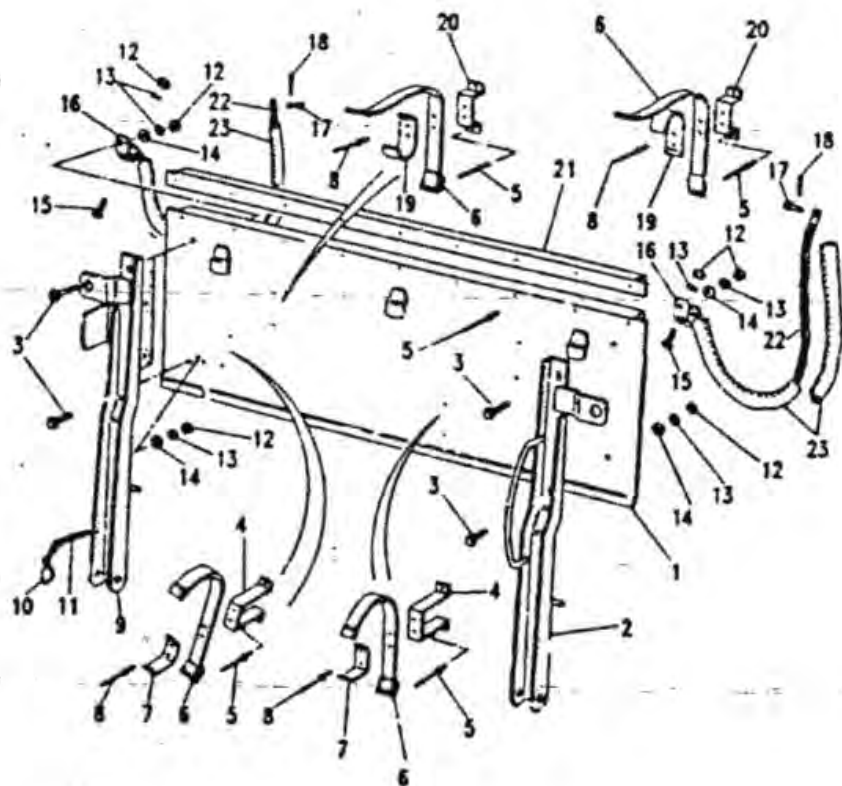


M. Part No.	Description	Qty	Remarks
1	MTC1199 Lower tailboard assembly	1	
2	346220 Seal lower tailboard	1	
3	78248 Pop rivet	16	
4	335605 Hinge lower lh	1	
5	SH604121L Bolt 1/4unf x 1.1/4"	4	
6	346046 Registration plate	1	
7	346140 Mounting assembly		
8	346139 Number plate catch female	1	
9	WA600071 Number plate catch male	1	
10	WS600091 Washer plain	1	NLA
11	4872 Washer spring	1	
12	334121 Split pin	1	NLA
13	335601 Hinge pin	2	
14	335601 Hinge lower rh	1	
15	335599 Capping lower tailboard	1	
16	255206 Bolt 1/4unf x 5/8"	2	
17	MRC2337 Lug tailboard chain	2	
18	WM600041L Washer spring	6	
19	NH604041L Nut 1/4unf	6	
20	3831L Washer plain	8	
21	330422 Anti rattle sleeve	2	
21	MTC1830 Chain lower tailboard	2	

Model MILITARY VEHICLE

Page YWNXIE1A

BODY - TAILBOARD UPPER



Ill. Part No.	Description	Qty	Remarks
1	335593	1	Tailboard upper assembly
2	335611	1	Hinge upper lh
3	255214	4	Bolt 1/4"unf x 1.5/8"
4	MRC3314	2	Bracket support
5	74838	25	Rivet pop
6	MRC5648	4	Strap
7	336348	2	Bracket tool support - spade
8	RU612373L	8	Rivet pop
9	335608	1	Hinge upper rh
10	346063	1	Ring securing
11	231190	1	Chain retaining
12	NH604041L	6	Nut 1/4"unf
13	WM600041L	6	Washer spring
14	3831L	4	Washer plain
15	255206	2	Bolt 1/4"unf x 5/8"
16	MRC2337	2	Lig tailboard chain
17	302828	2	Pin clevis
18	3958L	2	Pin split
19	MRC3111	2	Bracket tool support axe
20	335618	2	Bracket support
21	335599	1	Capping tailboard upper
22	MTC1829	2	Chain tailboard upper
23	330422	4	Sleeve anti rattle



MILITARY VEHICLE

fiche2
D1

BODY AND CHASSIS

MASTER INDEX

INTRODUCTION AND ALPHABETICAL INDEX	PAGES
ENGINE	1 ROW B
GEARBOX	1 ROW C - D
TRANSFER BOX	1 ROW E
AXLES AND SUSPENSION	1 ROW F
STEERING	1 ROW G
VEHICLE AND ENGINE CONTROLS	1 ROW H
BRAKES	1 ROW I
FUEL SYSTEM AND AIR CLEANER	1 ROW J
EXHAUST SYSTEM	1 ROW K
COOLING/HEATING	1 ROW L
BODY ELECTRICAL	1 ROW M
INTRODUCTION AND ALPHABETICAL INDEX	1 ROW N - O
BODY AND CHASSIS	2 ROW B
SEATS	2 ROW C - D
STOWAGE	2 ROW E
MISCELLANEOUS - PAINTS ETC	2 ROW F
NUMERICAL INDEX	2 ROW G
NEW PARTS TO FIT	2 ROW H
	2 ROW H

GROUP N

BODY AND CHASSIS

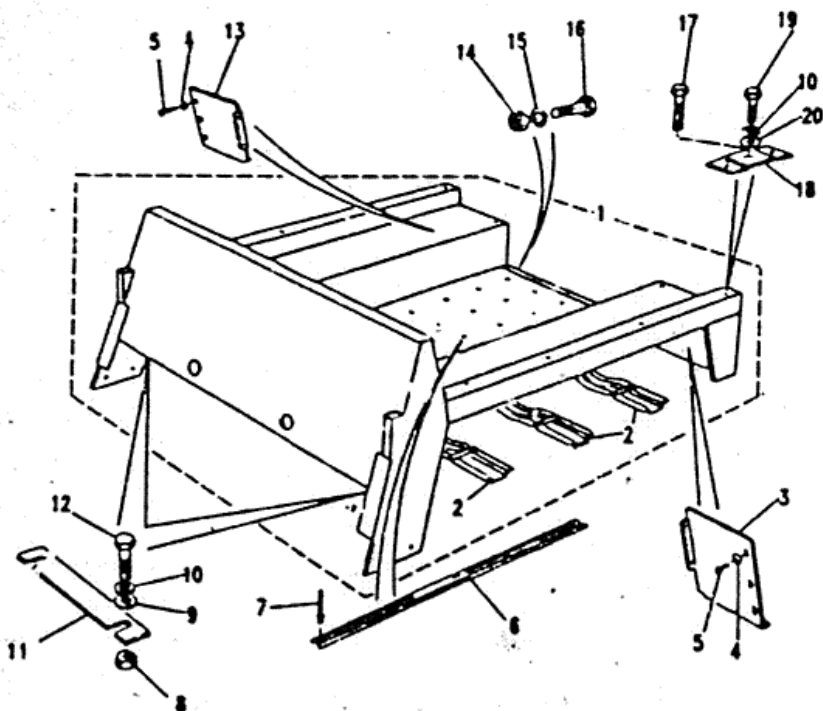
BODY AND CHASSIS	
CHASSIS FRAME	
AIR CLEANER SUPPORT	2 C2
BUMPER AND BUMPERETTES	2 C3
FLOOR AND SILL PANELS FRONT	2 C4
VENTILATORS AND FLYSCREENS	2 C5
DASH	2 C6
SEAT BASE	2 C7 - C8
RADIATOR GRILLE AND BONNET CATCH	2 C9
BONNET	2 C10
WINGS	2 C11
WINDSCREEN	2 C12
DOOR FRONT LH	2 C13
DOOR FRONT RH	2 C14
SIDESCREENS	2 C15
TAILBOARD LOWER	2 C16
TAILBOARD UPPER	2 C17
BODY REAR LOWER	2 C18
BODY REAR UPPER	2 D2 - D3
BODY REAR UPPER ASSEMBLY RH	2 D4
BODY REAR UPPER ASSEMBLY LH	2 D5
MIRRORS	2 D6
BONNET - SPARE WHEEL FIXINGS	2 D7
HOOD	2 D8
	2 D9

Model MILITARY VEHICLE

Page YWNXXC1A

BODY - BODY REAR LOWER

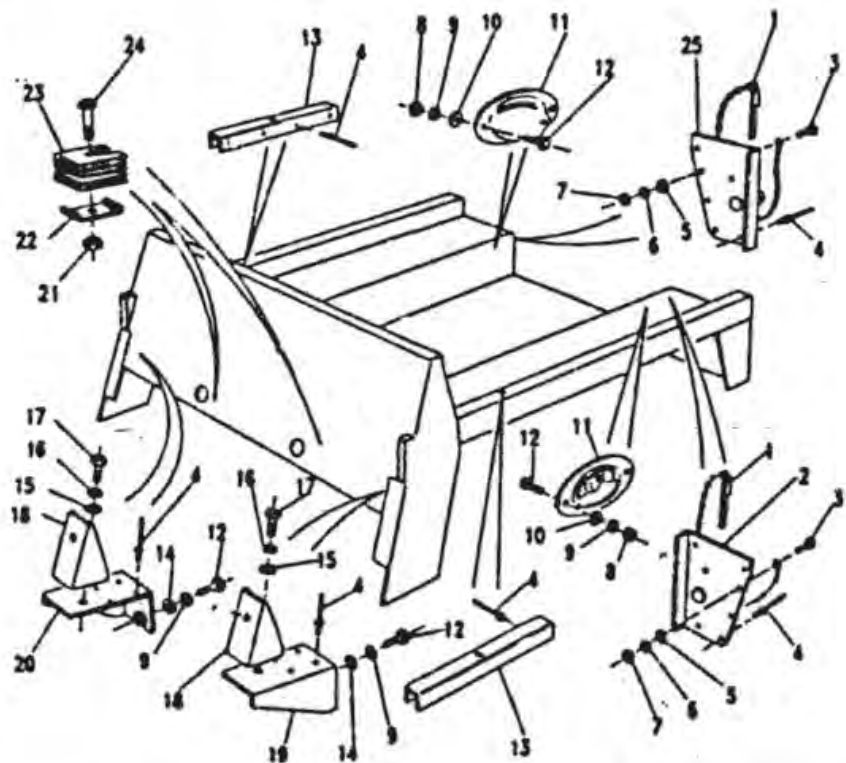
Ill. Part No.	Description	Qty	Remarks
1	MTC1261	1	Rear body lower assembly
2	330285	3	Crossmember with pads
3	MRC2527	1	Rear lamp prot.plate lh
4	WC702101L	10	Washer plain
5	78833	10	Tapite screw 10unf x 3/8
6	335832	5	Tread plate rear floor
7	78248	40	Pop rivet
8	NH604041L	4	Nut 1/4unf
9	3900L	4	Washer plain
10	WM600041L	14	Washer spring
11	346221	4	Shim body mounting
12	SH604081L	4	Bolt 1/4unf x 1"
13	MRC2526	1	Rear lamp prot.plate rh
14	NH605041L	10	Nut 5/16unf
15	90510912	18	Fan disc washer
16	SH605071L	10	Bolt 5/16unf x 7/8"
17	SH604071L	10	Bolt 1/4unf x 7/8"
18	346238	10	Nut plate
19	255286	8	Bolt 1/4unf x 5/8"
20	3831L	10	Washer plain



Model MILITARY VEHICLE

Page YWNXC2A

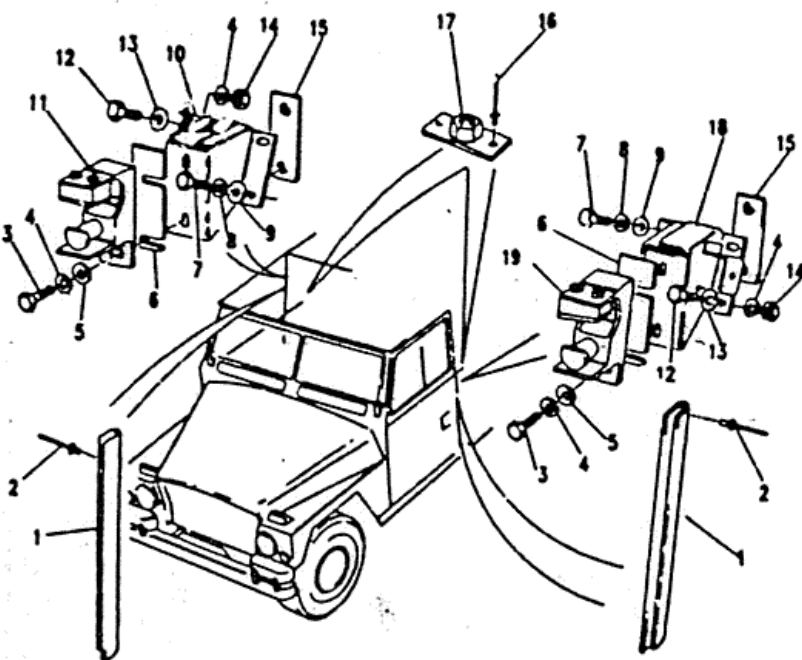
BODY - BODY REAR LOWER



Ill. Part No.	Description	Qty	Remarks
1 348081	Cotter and chain complete	2	
2 335831	Rear corner brkt lh lower	1	
3 SP910201L	Screw 10unf x 5/8"	2	
4 78248	Pop rivet	28	
5 WC702101L	Washer plain	4	
6 WM702001L	Washer spring	2	
7 HN2005L	Nut 10unf	2	
8 NH604041L	Nut 1/4unf	4	
9 WM600041L	Washer spring	8	
10 RTC609	Washer plain	4	
11 302825	Tailboard chain bracket	2	
12 255208	Bolt 1/4unf x 5/8"	8	
13 348144	Safety harness bracket	2	
14 WA106041L	Washer plain	4	
15 4594L	Washer plain	2	
16 WM600051L	Washer spring	2	
17 SH605061L	Bolt 5/16unf x 3/4"	2	
18 335848	Gusset bracket	2	NLA
19 348053	Gusset bracket lh	1	
20 348052	Gusset bracket rh	1	
	MRC8428	2	Gusset bracket outer
	MRC8533	2	Gusset bracket inner
21 NY607041L	Self locking nut 7/16unf	2	
22 577138	Washer plate	2	
23 348056	Shim chassis body bracket	2	
24 258260	Bolt 7/16unf x 1.1/2"	2	
25 335830	Rear corner brkt rh lower	1	

Model MILITARY VEHICLE

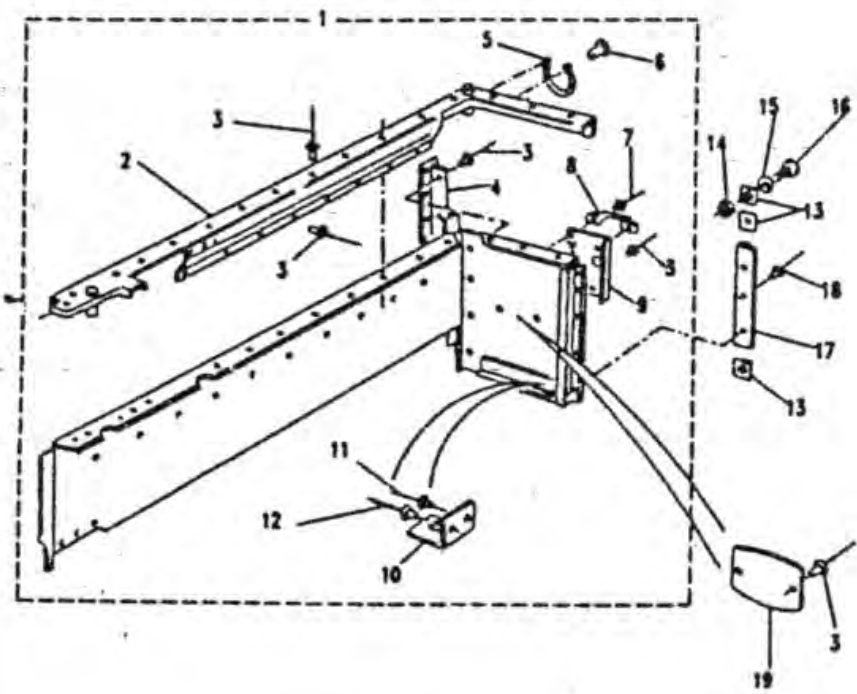
Page YWNXC1A

BODY - BODY REAR UPPER


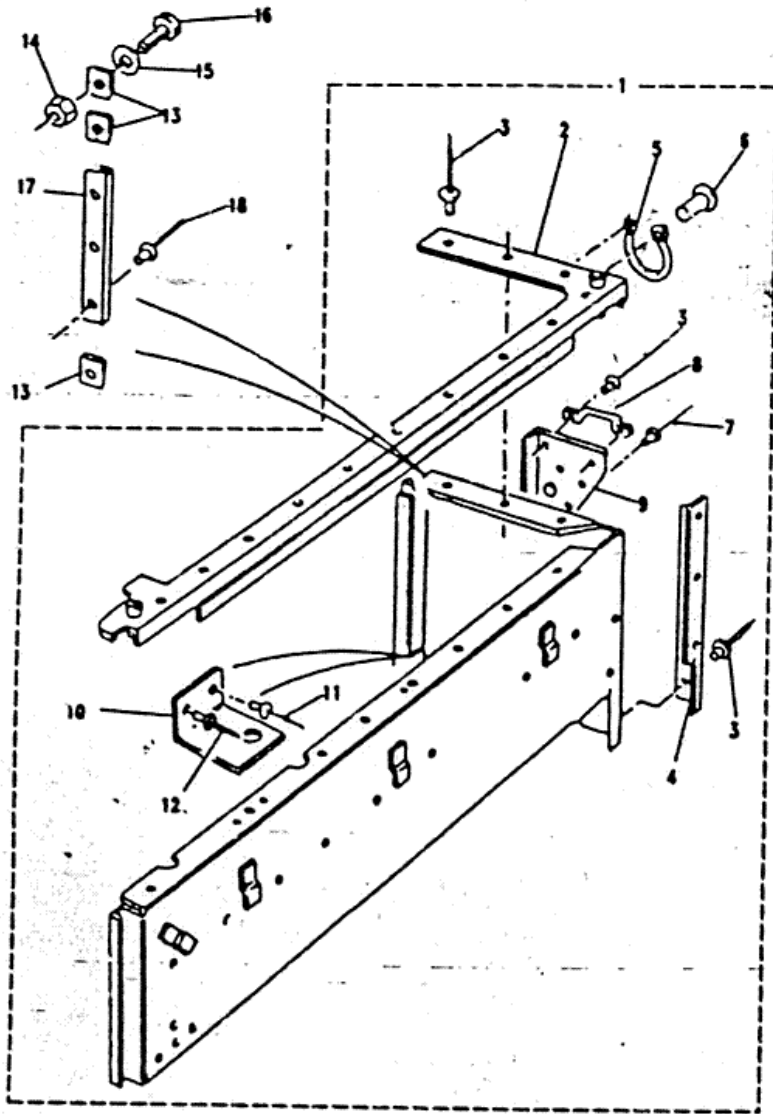
Ill. Part No.	Description	Qty	Remarks
1.. 346121	Sealing rubber door	2	
2 78321	Rivet	6	
3 SH604071L	Bolt 1/4unf x 5/8"	4	
4 WM600041L	Washer spring	12	
5 RTC609	Washer plain	4	
6 395078	Shim, striker plate	2	
7 257017	Bolt 10unf x 1/2"	4	
8 WM702001L	Washer spring	4	
9 4034L	Washer plain	4	
10 335695	Bracket striking plate rh	1	
11 395294	Striking plate dr lock rh	1	
12 255206	Bolt 1/4unf x 5/8"	8	
13 3831L	Washer plain	8	
14 NH604041L	Nut 1/4unf	8	
15 346241	Nut plate	2	
16 78248	Rivet pop	4	
17 346057	Nut plate	2	NLA
18 MRC9623	Bracket striking plate lh	1	
19 395295	Striking plate dr lock lh	1	

Model MILITARY VEHICLE
Page YWNXLC2A

BODY - BODY REAR UPPER ASSEMBLY RH



Ill. Part No.	Description	Qty	Remarks
1	RTC2229	1	Rear body upper assy rh
2	MRC3632	1	Top capping assy rh
3	78248	65	Rivet pop
4	335529	1	Corner protection angle Rh
5	345699	1	Rope hook
6	RR612103	2	Rivet pop
7	RU612373L	2	Rivet pop
8	395143	1	Staple for hood strap
9	335830	1	Rear corner bracket Rh upper
10	347301	1	Corner bracket rh NLA
11	79233	1	Rivet pop
12	79232	1	Rivet pop
13	332148	3	Tailboard buffer
14	4023	3	Nut 4ba
15	4030L	3	Washer plain
16	77869	3	Screw 4ba x 1/2"
17	348120	1	Sealing rubber upper body
18	78321	3	Rivet pop
19	332670	1	Land Rover name plate



Model MILITARY VEHICLE

Page YWNXLC3A

BODY - BODY REAR UPPER ASSEMBLY LH

HL Part No.	Description	Qty	Remarks
1	RTC2230	1	Rear body upper assy lh
2	MRC3633	1	Top capping assy lh
3	78248	63	Rivet pop
4	335530	1	Corner protection angle Lh
5	345699	1	Rope hook
6	RR6T2103	2	Rivet pop
7	RU612373L	2	Rivet pop
8	395143	1	Staple for hood strap
9	335831	1	Rear corner bracket Lh upper
10	347302	1	Corner bracket lh NLA
11	79233	1	Rivet pop
12	79232	1	Rivet pop
13	332146	3	Tailboard buffer
14	4023	3	Nut 4ba
15	4030L	3	Washer Plain
16	77899	3	Screw 4ba x 1/2"
17	346120	1	Sealing rubber upper body
18	78321	3	Rivet pop

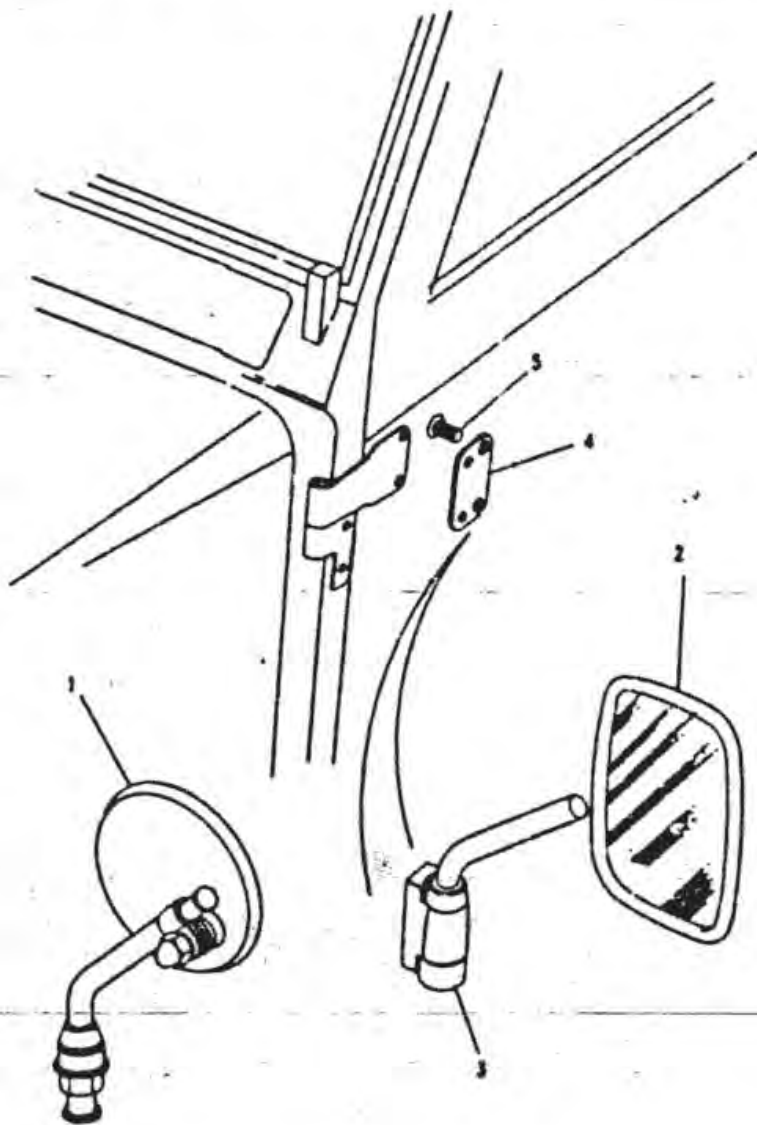
Model MILITARY VEHICLE

Page YWNXRA1A

BODY CHASSIS - MIRRORS

Ill. Part No.	Description	Qty	Remarks
1 599137	Mirror complete wing	2	
2 MRC8278	Mirror head	2	Note(1)
MTC5084	Mirror head	2	Note(2)
3 MRC4583	Arm mirror head	2	Note(1)
MTC5083	Arm mirror head	2	Note(2)
4 MRC2863	Bracket mounting arm to door	2	
5 SG804041L	Screw	4	

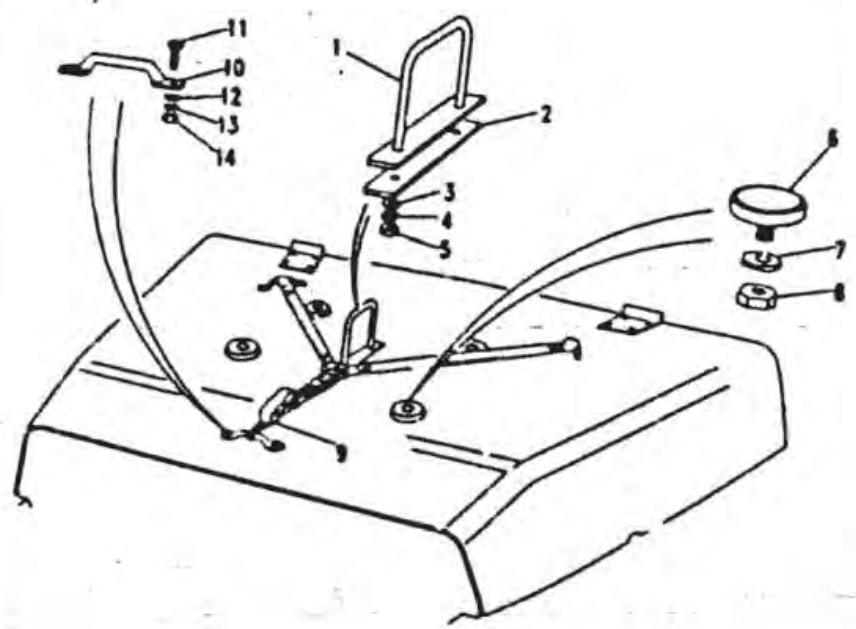
Note(1) Fitted up to July 1982
Note(2) Fitted from August 1982





Model MILITARY VEHICLE
Page YWNXTA1A

BODY - BONNET - SPARE WHEEL FIXINGS



ML Part No.	Description	Qty	Remarks
1 335794	Staple centre	1	
2 335797	Washer plate	1)Fixing staple
3 3817	Washer plain	2)to bonnet
4 WM600041L	Washer spring	2)
5 NH604041L	Nut 1/4unf	2)
6 MFC5627	Support block spare wheel	4	
7 WC105001L	Washer plain	4)Fixing support
8 NH105041L	Nut M5	4)locks to bonnet
9 345510	Strap ret spare wheel	1	
10 335772	Staple ret spare wheel	3	
11 SP910201L	Screw 10unf x 5/8"	6)Fixing staples
12 4034L	Washer plain	6)and retaining
13 WM702001L	Washer spring	6)strap to bonnet
14 HN2005L	Nut 10unf	6)



MILITARY VEHICLE

fiche2
D9

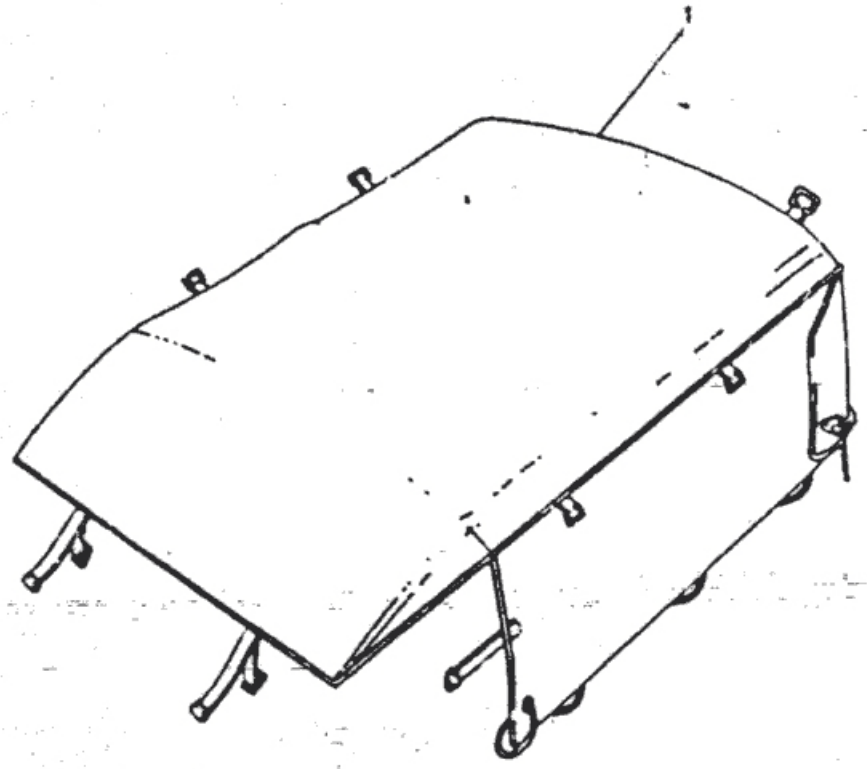
BODY AND CHASSIS

Model MILITARY VEHICLE
Page YWNXUA1A

BODY - HOOD

Ill. Part No.	Description	Qty	Remarks
1 320884HCE	Hood	1	Drab
320883JCD	Hood	1	Blue
320885NCE	Hood	1	Stone

Note(1) Please refer to optional equipment fiche/catalogue for hoodsticks and fixings





MILITARY VEHICLE

fiche2
E1

SEATS

MASTER INDEX

INTRODUCTION AND ALPHABETICAL INDEX
 ENGINE
 GEARBOX
 TRANSFER BOX
 AXLES AND SUSPENSION
 STEERING
 VEHICLE AND ENGINE CONTROLS
 BRAKES
 FUEL SYSTEM AND AIR CLEANER
 EXHAUST SYSTEM
 COOLING/HEATING
 BODY ELECTRICAL
 INTRODUCTION AND ALPHABETICAL INDEX
 BODY AND CHASSIS
 SEATS
 STOWAGE
 MISCELLANEOUS - PAINTS ETC
 NUMERICAL INDEX
 NEW PARTS TO FICHE

PAGES
 1 ROW B
 1 ROW C - D
 1 ROW E
 1 ROW F
 1 ROW G
 1 ROW H
 1 ROW I
 1 ROW J
 1 ROW K
 1 ROW L
 1 ROW M
 1 ROW N - O
 2 ROW B
 2 ROW C - D
 2 ROW E
 2 ROW F
 2 ROW G
 2 ROW H
 2 ROW H

SEATS

SEAT FRONT (CHARCOAL) 2 E2
 SEAT REAR (CHARCOAL) 2 E3
 STATIC (UP TO JUNE 81) 2 E4
 INERTIA 2 E5

GROUP R
 SEATS



MILITARY VEHICLE

fiche2
E2

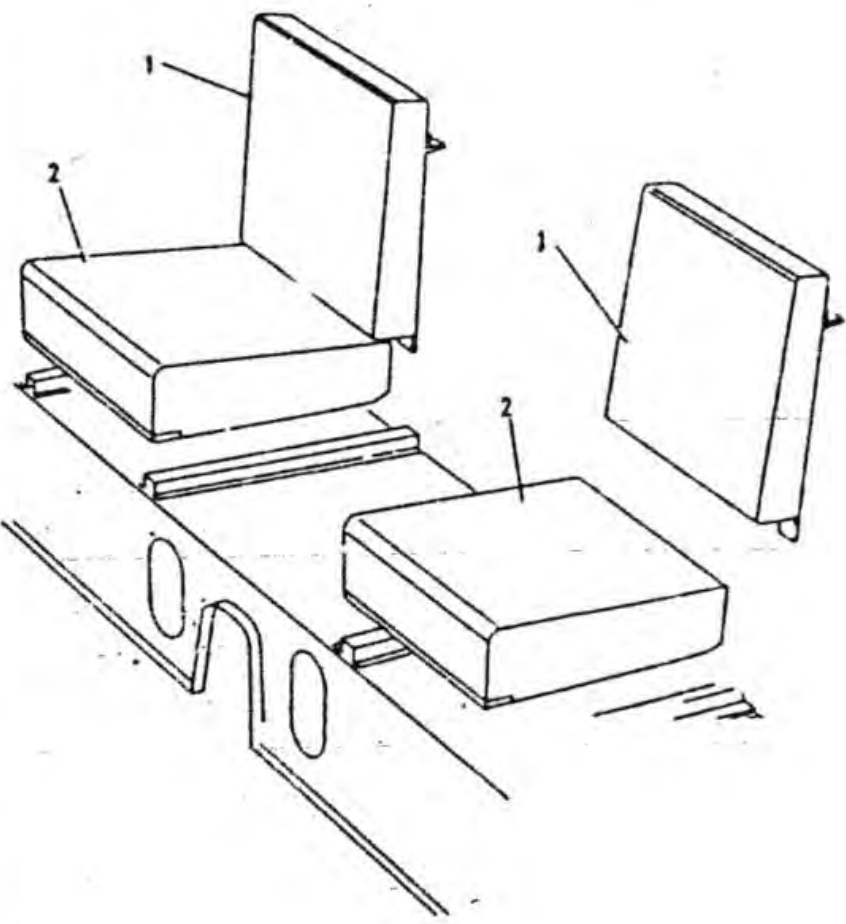
SEATS

Model MILITARY VEHICLE
Page YWRXE1A

SEATS - SEAT FRONT(CHARCOAL)

NL Part No.	Description	Qty	Remarks
1 346089	Squab seat front	2)Note(1)
2 349172	Cushion seat front	2)

Note(1) Quantities change to 3 for 12Volt vehicles





MILITARY VEHICLE

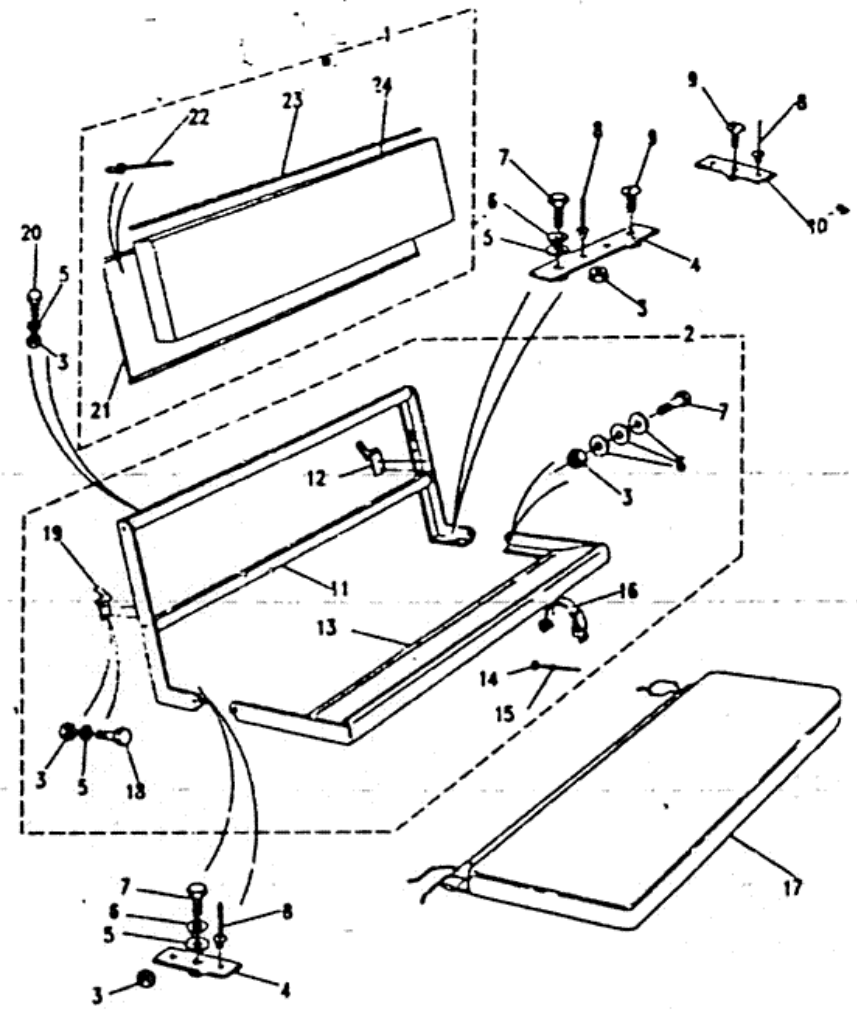
fiche2
E3

SEATS

Model MILITARY VEHICLE
Page YWRXGA1A

SEATS - SEAT REAR (CHARCOAL)

M. Part No.	Description	Qty	Remarks
1	320868	1	Backrest seat rear
2	MTC8448	1	Frame seat rear
3	NH804041L	13	Nut 1/4"unf
4	346075	2	Plate nut
5	WM800041L	11	Washer spring
6	WP8019L	8	Washer plain
7	SH604061L	4	Bolt 1/4"unf x 3/4"
8	78768	6	Rivet pop
9	SE804051L	2	Screw 1/4"unf x 5/8"
10	MRC1724	1	Plate nut
11	331229	1	Angle support
12	331314	1	Clip backrest securing rh
13	301874	1	Arm hinged
14	WC702101L	2	Washer plain
15	RU612373L	1	Rivet pop
16	302648	1	Strap
17	349968	1	Cushion seat rear
18	255206	4	Bolt 1/4"unf x 5/8"
19	331315	1	Clip backrest securing lh
20	SH804041L	5	Bolt 1/4"unf x 1/2"
21	STC1012	1	Panel backrest
22	78248	6	Rivet pop
23	301476	6	Rod retaining
24	396696	1	Pad backrest





MILITARY VEHICLE

fiche2
E4

SEATS

Model MILITARY VEHICLE
Page YW:RXPA1A

SEAT BELTS - STATIC (UP TO JUNE 81)

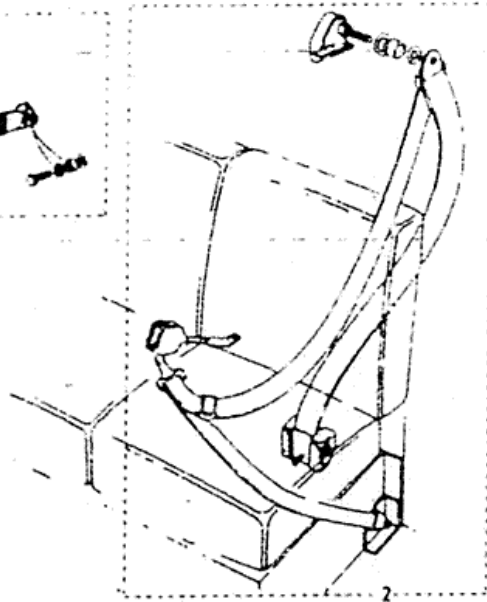
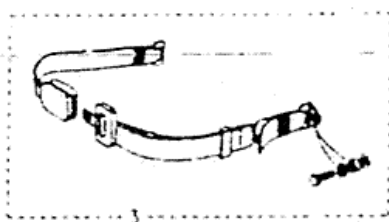
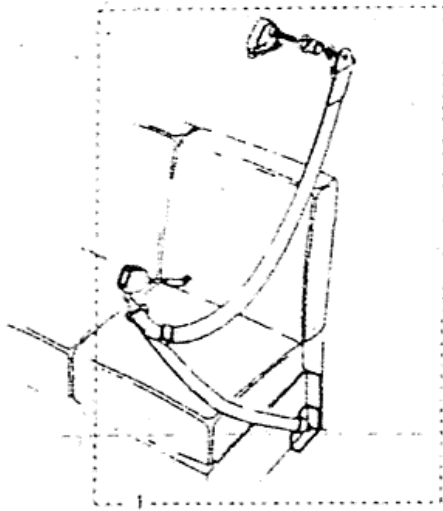
III. Part No.	Description	Qty	Remarks
1 RTC6792	Belt seat static LH	1	
1 RTC6791	Belt seat static RH	1	

SEAT BELTS - INERTIA (FROM JUNE 81)

2 MXC5493	Belt seat inertia LH	1	
2 MXC5492	Belt seat inertia RH	1	

SEAT BELT - CENTRE LAP STRAP

3 MTC2279	Belt seat centre lap strap	1	
-----------	----------------------------	---	--



LAND ROVER
PARTS LTD



MILITARY VEHICLE

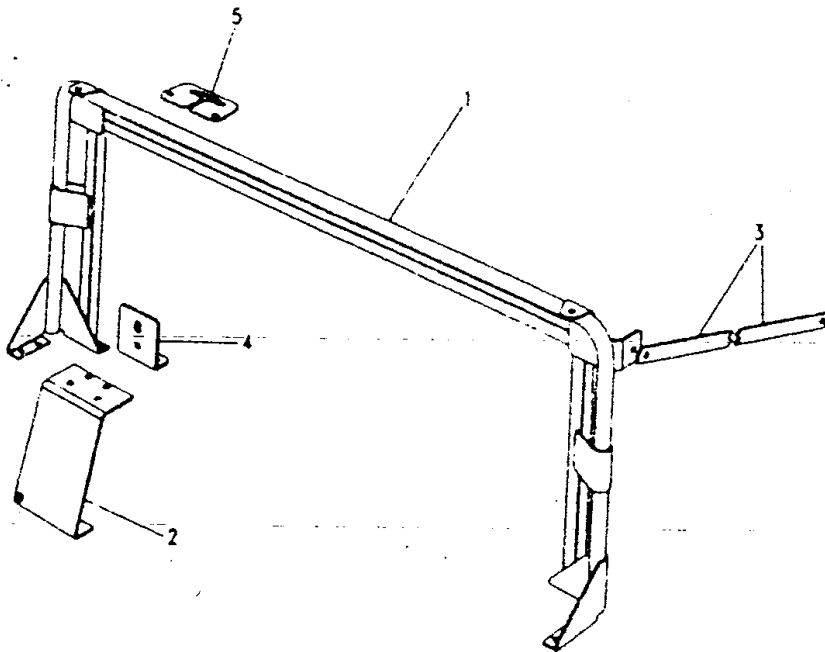
Niche2
E5

SEATS

Model MILITARY VEHICLE
Page YWRXPA2A

SEAT BELTS ANCHORAGES - INERTIA

Ill. Part No.	Description	Qty	Remarks
1 MRC8692	Rail seat belt	1	NLA
2 MTC1306	Bracket stiffener inertia reel RH	1	
MTC1307	Bracket stiffener inertia reel LH	1	
GHF133	Bolt set M8 x 25mm	8)Rail seat
GHF301	Washer plain	8)belt to
GHF382	Washer spring	8)wheelarch
GHF213	Nut M8	8)
3 MRC9885	Bar tie	2	
GHF135	Bolt set M10 x 25mm	4)Bar be
GHF302	Washer plain	6)to
WL110001L	Washer spring	4)rail
GHF214	Nut M10	4)
4 MTC4090	Bracket mounting inertia reel	2	
GHF133	Bolt set M8 x 25mm	4)Reel mounting
GHF301	Washer plain	8)bracket
WL108001L	Washer spring	4)to
GHF213	Nut M8	4)wheelarch
5 MRC7755	Loop seat belt	2	
BH805101L	Bolt 5/16"unf x 1 1/4"	4)loop to
GHF332	Washer spring	4)front
GHF301	Washer plain	4)capping
GHF201	Nut 5/16"unf	4)





MILITARY VEHICLE

fiche2
F1

STOWAGE

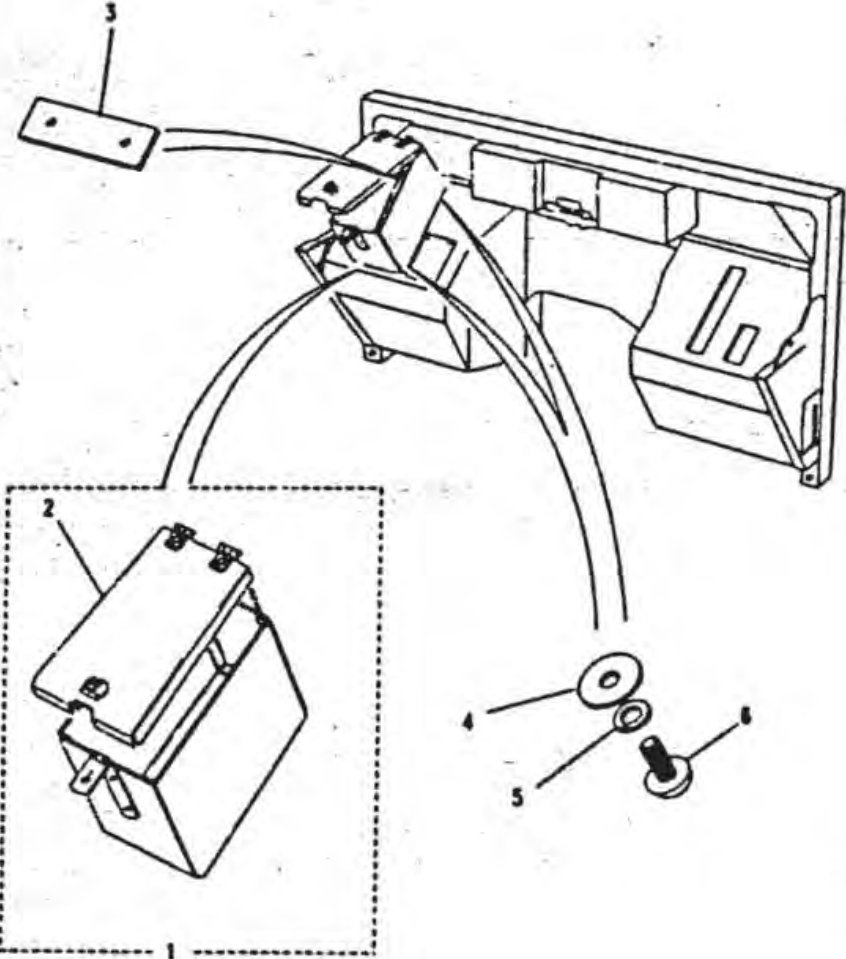
MASTER INDEX

	PAGES	GROUP S
INTRODUCTION AND ALPHABETICAL INDEX	1 ROW B	
ENGINE	1 ROW C - D	STOWAGE
GEARBOX	1 ROW E	
TRANSFER BOX	1 ROW F	
AXLES AND SUSPENSION	1 ROW G	
STEERING	1 ROW H	
VEHICLE AND ENGINE CONTROLS	1 ROW I	
BRAKES	1 ROW J	
FUEL SYSTEM AND AIR CLEANER	1 ROW K	
EXHAUST SYSTEM	1 ROW L	
COOLING/HEATING	1 ROW M	
BODY ELECTRICAL	1 ROW N - O	
INTRODUCTION AND ALPHABETICAL INDEX	2 ROW B	
BODY AND CHASSIS	2 ROW C - D	
SEATS	2 ROW E	
STOWAGE	2 ROW F	
MISCELLANEOUS - PAINTS ETC	2 ROW G	
NUMERICAL INDEX	2 ROW H	
NEW PARTS TO FICHE	2 ROW H	

STOWAGE
 TOOLBOX 2 F2
 STARTING HANDLE 2 F3

Model MILITARY VEHICLE
Page YWSXAA1A

BODY - TOOLBOX



ML Part No.	Description	Qty	Remarks
1 MRC2398	Toolbox assembly	1	
2 MRC2399	Toolbox lid assembly	1	
303875	Hinge	2)Hinges to
FS106181	Screw M6 x 16	2)lid
MRC5526	Washer plain	4)
NH106041L	Nut M6	2)
RU612373L	Rivet pop hinge-toolbox	4)
334523	Hasp	1)
RU612373L	Rivet pop hasp-toolbox	2)
334525	Turnbuckle	1)
78248	Rivet pop turnbuckle-lid	3)
3 MRC2486	Support plate	1)Toolbox to
4 2215L	Washer	4)toe box
5 WM600041L	Washer spring	4)
6 7820E	Screw 1/4unf x 5/8"	4)



MILITARY VEHICLE

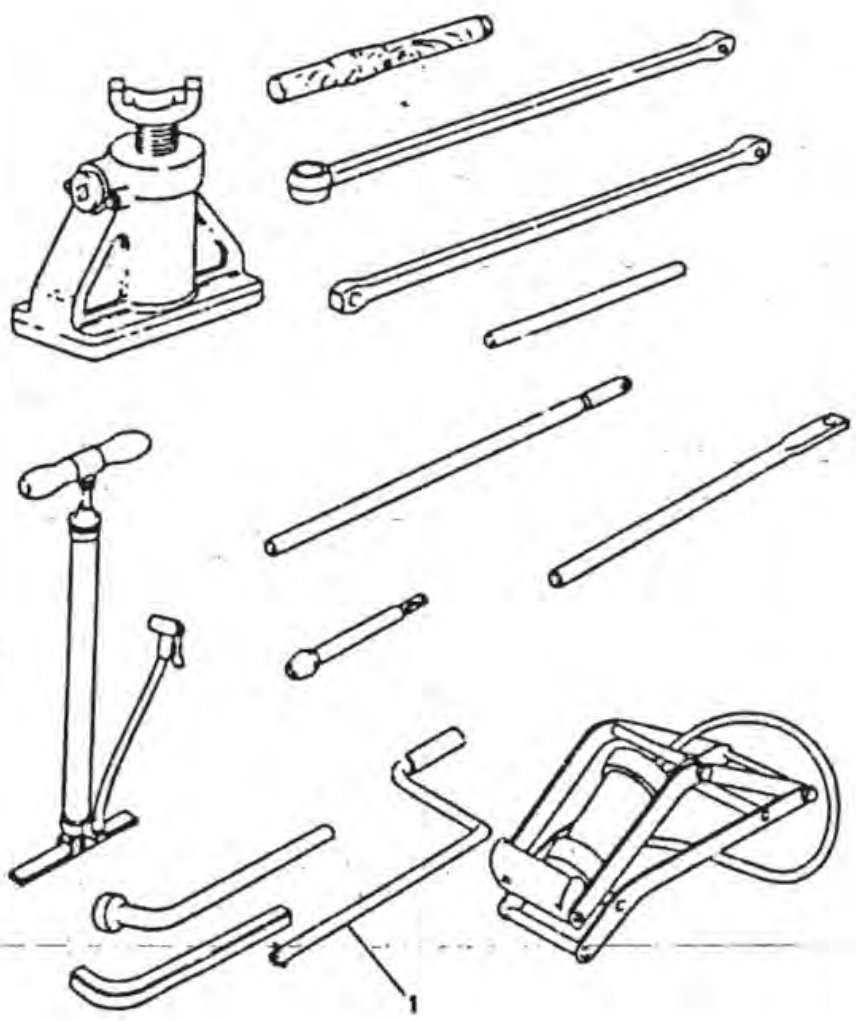
fiche2
F3

STORAGE

Model MILITARY VEHICLE
Page YWSXAC1A

TOOLS - STARTING HANDLE

Qty	Part No.	Description	Remarks
1	569092	Starting handle	1



MASTER INDEX

INTRODUCTION AND ALPHABETICAL INDEX
 ENGINE
 GEARBOX*
 TRANSFER BOX
 AXLES AND SUSPENSION
 STEERING
 VEHICLE AND ENGINE CONTROLS
 BRAKES
 FUEL SYSTEM AND AIR CLEANER
 EXHAUST SYSTEM
 COOLING/HEATING
 BODY ELECTRICAL
 INTRODUCTION AND ALPHABETICAL INDEX
 BODY AND CHASSIS
 SEATS
 STOWAGE
 MISCELLANEOUS - PAINTS ETC
 NUMERICAL INDEX
 NEW PARTS TO FICHE

PAGES
 1 ROW B
 1 ROW C - D
 1 ROW E
 1 ROW F
 1 ROW G
 1 ROW H
 1 ROW I
 1 ROW J
 1 ROW K
 1 ROW L
 1 ROW M
 1 ROW N - O
 2 ROW B
 2 ROW C - D
 2 ROW E
 2 ROW F
 2 ROW G
 2 ROW H
 2 ROW H

GROUP T
MISCELLANEOUS - PAINTS ETC

MISCELLANEOUS - PAINTS ETC
 TOWING HOOK AND LIFTING RINGS 2 G2
 NATO SOCKET 2 G3



MILITARY VEHICLE

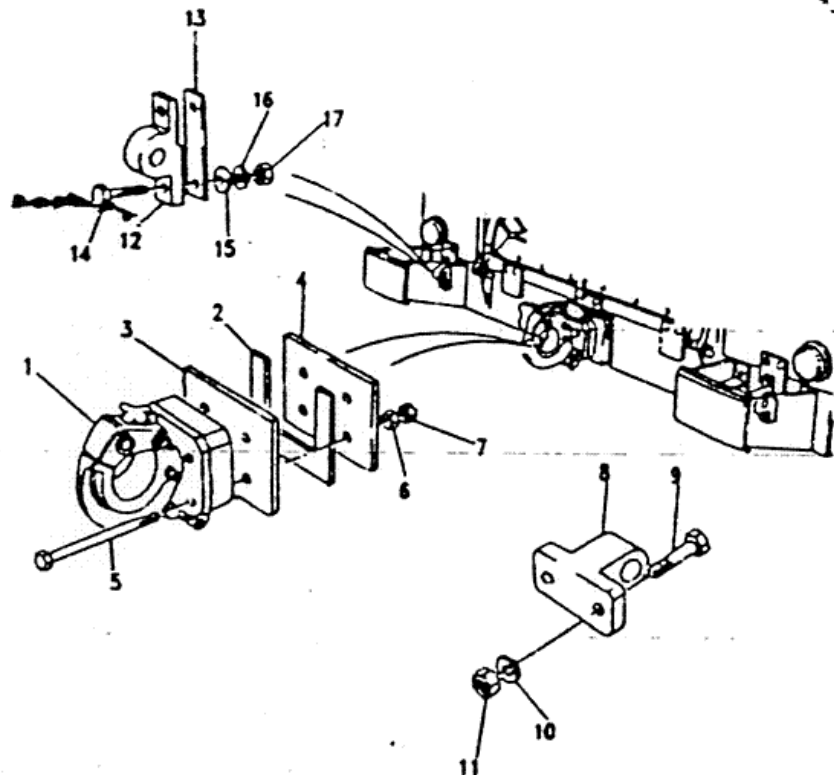
fiche2
G2

MISCELLANEOUS - PAINTS ETC

Model MILITARY VEHICLE
Page YWTXCE1A

CHASSIS FRAME - TOWING HOOK AND LIFTING RINGS

ML Part No.	Description	Qty	Remarks
1	NRC2051 Towing hook complete (rotating)	1	
2	531448 Distance piece	1	NLA
3	523807 Reinforcing plate	1	NLA
4	531447 Reinforcing plate under nuts	1	
5	BH608441 Bolt 1/2"unf x 5.1/2"	4)Hook to rear.
6	NH604041L Nut 1/2"unf	4)crossmember
7	NT808041L Nut 1/2"unf (thin)	4)
8	559682 Lifting and towing rings front	2	
9	BH606361L Bolt 3/4"unf x 4.1/2"	4)Towing and
10	4094 Washer plain	8)lifting rings
11	NV606041L S.L. nut	4)and front)bumper to)chassis
12	598887 Lifting & towing rings rear	2	
13	562892 Backing plate	2	
14	BH606281L Bolt 3/8"unf x 3.1/2"	4)Rings to
15	WB110061L Washer plain	4)rear
16	WM600061L Washer spring	4)crossmember
17	NH606041L Nut 3/8"unf	4	

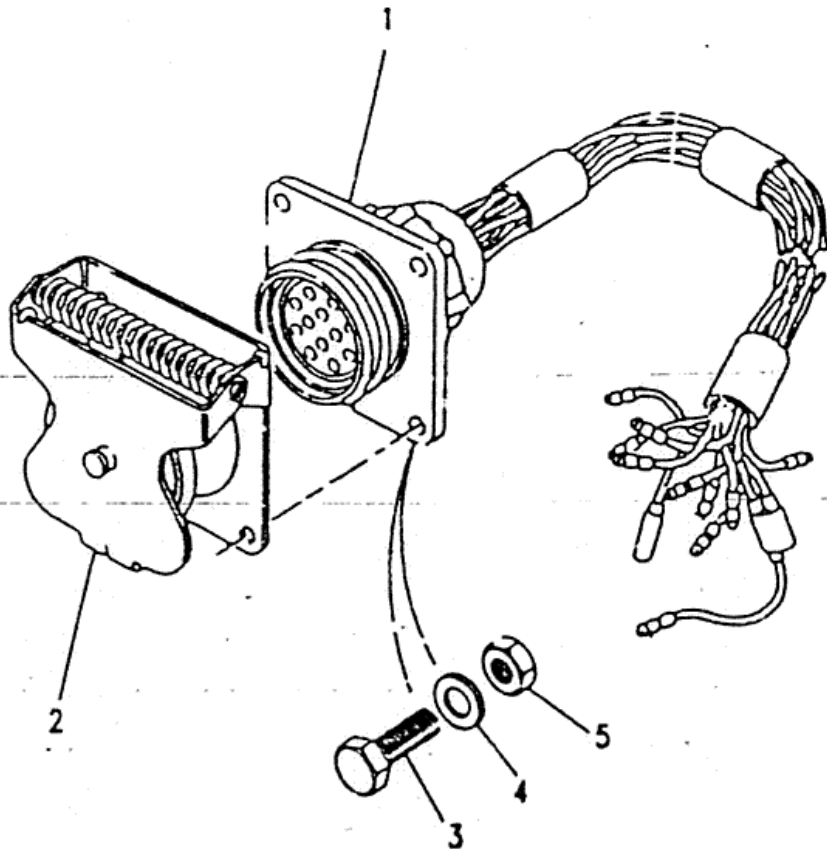


Model MILITARY VEHICLE

Page YWTXCK1A

ELECTRICAL - NATO SOCKET

M. Part No.	Description	Qty	Remarks
1 PRC3222	Nato socket c/w leads	1	
2 PRC6239	Protection cap nato skt	1	
3 BH604201L	Bolt 1/4unf x 2.1/2"	4)Nato socket
4 WM600041L	Washer spring	4)to rear
5 NH604041L	Nut 1/4unf	4)crossmember
555711	Grommet nato socket lead	1	





MASTER INDEX

	PAGES
INTRODUCTION AND ALPHABETICAL INDEX	1 ROW B
ENGINE	1 ROW C - D
GEARBOX	1 ROW E
TRANSFER BOX	1 ROW F
AXLES AND SUSPENSION	1 ROW G
STEERING	1 ROW H
VEHICLE AND ENGINE CONTROLS	1 ROW I
BRAKES	1 ROW J
FUEL SYSTEM AND AIR CLEANER	1 ROW K
EXHAUST SYSTEM	1 ROW L
COOLING/HEATING	1 ROW M
BODY ELECTRICAL	1 ROW N - O
INTRODUCTION AND ALPHABETICAL INDEX	2 ROW B
BODY AND CHASSIS	2 ROW C - D
SEATS	2 ROW E
STOWAGE	2 ROW F
MISCELLANEOUS - PAINTS ETC	2 ROW G
NUMERICAL INDEX	2 ROW H
NEW PARTS TO FICHE	2 ROW H



MILITARY VEHICLE

fiche2
H2

NUMERICAL INDEX

PART NO	PAGE	PART NO	PAGE	PART NO	PAGE	PART NO	PAGE	PART NO	PAGE	PART NO	PAGE
AAU1079	1N4	AEU1375	1N4	AEU1988	1N14	BX605281	1C8	FS106161	1N14	MRC2202	1N7
AAU2186	1D7	AEU1448	1K2	AEU1991	1N14	BX605281	1C8	FS106161	2F2	MRC2202	1N8
AAU8238	1O11	AEU1652	1N4	AEU2465	1N3	CD31726C	1O4	FS106201	1N8	MRC2337	2C17
AAU8239	1O11	AEU1864	1C17	AEU2466	1N3	CN100258	1M2	GHF133	2E5	MRC2337	2C18
ABU1464	1N13	AEU1865	1C17	AEU2517	1N3	CS800204	1C13	GHF135	2E5	MRC2365	2C6
ABU1520	1D2	AEU1866	1C17	AEU4126	1N2	C38968L	1O9	GHF201	1J2	MRC2398	2F2
AB604031L	2C13	AEU1867	1C17	ALR1618	2C6	C976L	2C11	GHF201	2E5	MRC2399	2F2
AB604041	2C14	AEU1868	1C17	ALR1619	2C6	DRC1021	1O12	GHF202	1J2	MRC2424	2C6
AB604041	2C15	AEU1869	1C17	ALR1737	2C13	DZB3578	1O12	GHF213	2E5	MRC2486	2F2
AB606022L	1M2	AEU1946	1D2	BAU1689	1K3	ERC2947	1C6	GHF214	2E5	MRC2526	2D2
AB606022L	1O11	AEU1950	1N13	BH504101L	1C7	ERC5348	1C4	GHF301	2E5	MRC2527	2D2
AB606031L	1N4	AEU1951	1N13	BH604101L	1C7	ERC5351	1C4	GHF302	2E5	MRC2863	2D7
AB606031L	2C14	AEU1952	1N13	BH604101L	1I4	ERC5352	1C6	GHF332	1J2	MRC2885	2C12
AB606031L	2C15	AEU1953	1N13	BH604201L	1C12	ERC8380	1C11	GHF332	2E5	MRC2886	2C12
AB606031L	2C16	AEU1954	1N13	BH604201L	2G3	ERC7598	1C4	GHF382	2E5	MRC2913	2C6
AB606031L	2C5	AEU1955	1N13	BH605101L	2E5	ERC7680	1C4	GLB280	1N18	MRC2958	2C9
AB606031L	2C8	AEU1958	1N13	BH605121L	2C2	ERC819	1C6	HN2005L	1I4	MRC2977	1N8
AB606031L	2C7	AEU1957	1N13	BH605161L	1C8	ERC9140	1D3	HN2006L	1K2	MRC3111	2C18
AB606071L	2C16	AEU1958	1N13	BH605241L	1C6	ERC9453	1M2	HN2005L	1N2	MRC3227	2C7
AB610041L	1H2	AEU1960	1N13	BH605281L	1C6	ERR1117	1C9	HN2005L	1O12	MRC3314	2C18
AB610055	1H2	AEU1961	1N19	BH605261L	1C7	ETC5276	1C10	HN2005L	2D3	MRC3632	2D5
AB610055	2C8	AEU1967	1N13	BH606141	1D3	ETC5960	1C17	HN2005L	2D8	MRC3633	2D6
AB610057	2C8	AEU1968	1N13	BH606161L	2C4	FRC3366	1G4	LWZ303	1D2	MRC4121	2C15
AC808041L	2C16	AEU1969	1N13	BH606221L	2C4	FRC3367	1G7	MRC1724	2E3	MRC4122	2G14
AEU1065	1D2	AEU1970	1N13	BH606281L	2C4	FRC3382	1G3	MRC1805	1N18	MRC4246	2C13
AEU1066	1D2	AEU1971	1N13	BH606281L	2C2	FRC3383	1G3	MRC1944	1N18	MRC4583	2D7
AEU1067	1D2	AEU1972	1N13	BH606281L	2G2	FRC3388	1G6	MRC1979	2C14	MRC4774	2C9
AEU1068	1D2	AEU1973	1N13	BH606361L	2G2	FRC4060	1E3	MRC1979	2C15	MRC4867	1H3
AEU1067	1D2	AEU1974	1N13	BH606041	1D3	FRC4061	1E3	MRC2201	1N7	MRC5314	1N8
AEU1374	1N4	AEU1988	1N14	BH608441	2G2	FRC7967	1E3	MRC2201	1N8	MRC5364	1N14



MILITARY VEHICLE

fiche2
H3

NUMERICAL INDEX

PART NO	PAGE	PART NO	PAGE	PART NO	PAGE	PART NO	PAGE	PART NO	PAGE	PART NO	PAGE
MRC5509	2C9	MTC2279	2E4	NH604041L	2C18	NRC3886	1G14	PRC1080	1O12	PRC2584	1N11
MRC5526	2F2	MTC3871	1M2	NH604041L	2C3	NRC3895	1G10	PRC1081	1O12	PRC2605	1O9
MRC5627	2D8	MTC4090	2E5	NH604041L	2C7	NRC3896	1G10	PRC1102	1D2	PRC2619	1N14
MRC5648	2C18	MTC5083	2D7	NH604041L	2D2	NRC3897	1G14	PRC1126	1N13	PRC2685	1K3
MRC6093	1N8	MTC5084	2D7	NH904041L	2D3	NRC3898	1G14	PRC1180	1N16	PRC2682	1N9
MRC6520	2C13	MTC5304	2C18	NH604041L	2D4	NRC5002	1G10	PRC1190	1N16	PRC2693	1N10
MRC6532	2C11	MTC5305	2C18	NH604041L	2D8	NRC5007	1G10	PRC1193	1N16	PRC2694	1N11
MRC6573	1N8	MTC5382	2C18	NH604041L	2E3	NRC6830	2C4	PRC1202	1N16	PRC2738	1O5
MRC7013	2C8	MTC5383	2C16	NH604041L	2G2	NRC6836	1K2	PRC1336	1O12	PRC2739	1O5
MRC7133	1N8	MTC6448	2E3	NH604041L	2G3	NRC6841	2C2	PRC1423	1N14	PRC2888	1O2
MRC7755	2E5	MXC5492	2E4	NH605041L	1C18	NRC6905	1K2	PRC1424	1N14	PRC3222	2G3
MRC8014	1N18	MXC5493	2E4	NH605041L	1C6	NRC7314	2C2	PRC1492	1O2	PRC3369	1O12
MRC8278	2D7	NH104041L	1N14	NH605041L	1C8	NRC7315	2C2	PRC1526	1N18	PRC3370	1O12
MRC8426	2D3	NH105041L	2D8	NH605041L	1K2	NT605061L	2C2	PRC1765	1N16	PRC5485	1O10
MRC8533	2D3	NH106041L	2F2	NH605041L	2C2	NT606041L	2G2	PRC1776	1O8	PRC6239	2G3
MRC8692	2E5	NH604041L	1C13	NH605041L	2C8	NV606041L	2G2	PRC1777	1O8	PS606051	2C11
MRC9415	2C14	NH604041L	1C14	NH605041L	2D2	NY106041L	1N8	PRC1784	1N9	RN608223	2C16
MRC9416	2C15	NH604041L	1C18	NH606041L	1D6	NY112041L	1G11	PRC1785	1N10	RR612103	2D5
MRC9417	2C14	NH604041L	1D5	NH606041L	2C2	NY112041L	1G14	PRC1788	1O8	RR612103	2D6
MRC9417	2C15	NH604041L	1H3	NH606041L	2C4	NY604041L	1A	PRC1789	1O8	RTC1148	1K2
MRC9623	2D4	NH604041L	1A	NH606041L	2C7	NY604041L	2C2	PRC1790	1O8	RTC1358	1D2
MRC9885	2E5	NH604041L	1K3	NH606041L	2G2	NY605041L	1C8	PRC1791	1O8	RTC1360	1D2
MTC1199	2C17	NH604041L	1M2	NH607041L	2C18	NY605041L	1D4	PRC1792	1O8	RTC1527	1N18
MTC1261	2D2	NH604041L	1N5	NH607061L	1D3	NY605041L	2C13	PRC1793	1O8	RTC1543	1N4
MTC1282	2C9	NH604041L	1N7	NH608061L	2C7	NY606041L	1D3	PRC1814	1O2	RTC1843	1N4
MTC1306	2E5	NH604041L	2C11	NM108011	1C18	NY606041L	2C2	PRC1888	1N14	RTC1885	1N4
MTC1307	2E5	NH604041L	2C12	NRC1187	1O8	NY607041L	2D3	PRC2068	1O3	RTC1886	1N4
MTC1822	2C11	NH604041L	2C14	NRC2051	2G2	NY608041L	1D3	PRC2155	1O3	RTC1919	1N4
MTC1829	2C18	NH604041L	2C15	NRC2228	1K2	NZ606041L	1G2	PRC2156	1O3	RTC1931	1N4
MTC1830	2C17	NH604041L	2C17	NRC3667	2C3	PFS510L	1H2	PRC2397	1N17	RTC1987	2C11



MILITARY VEHICLE

fiche2
H4

NUMERICAL INDEX

PART NO	PAGE	PART NO	PAGE	PART NO	PAGE	PART NO	PAGE	PART NO	PAGE	PART NO	PAGE
RTC222	1G3	RTC609	2C11	SE604051L	2E3	SH605071L	2D2	WA110061L	2C4	WL106001L	1N8
RTC222	1G6	RTC609	2C12	SG604041L	2D7	SH605081L	1C8	WA600071	2C17	WL108001L	2E5
RTC222	1K3	RTC609	2D3	SH504051L	1C14	SH605101L	1C3	WA702101L	1I4	WL110001L	2E5
RTC2229	2D5	RTC609	2D4	SH504061L	1C6	SH605101L	1C8	WA702101L	1K2	WM108001L	1C18
RTC2230	2D6	RTC611	1D3	SH505071L	1D4	SH606071L	2C4	WA702101L	1O12	WM600041L	1C13
RTC2665	1N5	RTC611	2C16	SH506081L	1D3	SH606071L	2C7	WA703081L	1N4	WM600041L	1C14
RTC2666	1N5	RTC613	1C16	SH506095L	1D3	SH806081L	2C2	WA703081L	2C16	WM600041L	1C16
RTC2705N	1E2	RTC613	1C17	SH604041L	1C18	SH702201	2C6	WB106041L	1C16	WM600041L	1C17
RTC2746N	1C2	RTC613	1C18	SH604041L	2C12	SH910241L	1I4	WB106041L	1C17	WM600041L	1C18
RTC2747N	1C2	RTC613	2C8	SH604041L	2E3	SP910201L	1H2	WB106041L	2C16	WM600041L	1C6
RTC3346	1G2	RTC6327	1C7	SH604061L	1C14	SP910201L	1O12	WB108051L	1D4	WM600041L	1C7
RTC3684	1N3	RTC6328	1C7	SH604061L	1N7	SP910201L	2D3	WB108051L	2C13	WM600041L	1D5
RTC3690	1G5	RTC6434	1G5	SH604061L	1N8	SP910201L	2D8	WB110061L	1D5	WM600041L	1H3
RTC3667	1O11	RTC6622	1C18	SH604061L	2C12	STC1012	2E3	WB110061L	1G5	WM600041L	1K3
RTC4235	1G12	RTC6622	1C17	SH604061L	2C2	STC1132	1C18	WB110061L	1G8	WM600041L	1M2
RTC430	1N18	RTC6700	1O3	SH604061L	2E3	STC1132	1C17	WB110061L	2C4	WM600041L	1N7
RTC4483	1G12	RTC6791	2E4	SH604071L	2D2	STC541	1C14	WB110061L	2C7	WM600041L	1N8
RTC4732	1C16	RTC6792	2E4	SH604071L	2D4	STC576	1O6	WB110061L	2G2	WM600041L	2C10
RTC4732	1C17	RTC6851	1C8	SH604081L	2D2	STC613	1K2	WC105001L	2D8	WM600041L	2C11
RTC4771	1N5	RTC6855	1C13	SH604121L	2C17	STC664	1N18	WC112081L	1D3	WM600041L	2C12
RTC4784	1N18	RU608183L	2C8	SH604161L	2C14	STC8270	1N6	WC112081L	2C11	WM600041L	2C14
RTC4842	1N13	RU608183L	2C8	SH604161L	2C15	TE505105L	1C6	WC112081L	2C7	WM600041L	2C15
RTC5034	1O9	RU612373L	2C18	SH605051L	2C13	WA108041L	1M2	WC702101L	1O12	WM600041L	2C17
RTC5816	1O2	RU612373L	2D5	SH605061L	1C18	WA106041L	1N14	WC702101L	2C10	WM600041L	2C18
RTC608	2C9	RU612373L	2D6	SH605061L	1C8	WA106041L	1N7	WC702101L	2C8	WM600041L	2C3
RTC609	1C13	RU612373L	2E3	SH605061L	1K2	WA106041L	1N8	WC702101L	2D2	WM600041L	2C7
RTC609	1C4	RU612373L	2F2	SH605081L	2C8	WA106041L	2C12	WC702101L	2D3	WM600041L	2D2
RTC609	1E3	SA604081	2C7	SH605061L	2D3	WA106041L	2D3	WC702101L	2E3	WM600041L	2D3
RTC609	1I4	SE804041L	2C14	SH605071L	1C3	WA108051L	1C18	WF600041L	1N5	WM600041L	2D4
RTC609	2C10	SE804041L	2C15	SH605071L	2C12	WA108051L	1D3	WL108001L	1N14	WM600041L	2D8

LAND-ROVER

MILITARY VEHICLE

fiche2
H5

NUMERICAL INDEX

PART NO	PAGE	PART NO	PAGE	PART NO	PAGE	PART NO	PAGE	PART NO	PAGE	PART NO	PAGE
WM600041L	2E3	WM702001L	2D8	235113	1G3	255208	2C17	277153	1I2	330422	2C17
WM600041L	2F2	WM704001L	1N4	235113	2C7	255208	2C18	278000	1C8	330422	2C18
WM600041L	2G3	WM704001L	1N5	235985	4E4	255206	2C3	278116	1C16	330660	2C16
WM600051L	1C18	WP8019L	2E3	237100	2C2	255206	2D2	278116	1C17	330661	2C16
WM600051L	1C3	WS600091	2C17	239600	1C18	255206	2D3	278163	1C14	330667	2C13
WM600051L	1C8	0	2C8	240429	1G8	255206	2D4	2851L	2C2	330668	2C13
WM600051L	1C8	1H9077L	1N18	241380	2C2	255206	2E3	2876	1N7	330669	2C13
WM600051L	1D4	10211	1N4	242522	1G2	255214	2C18	301476	2E3	331229	2E3
WM600051L	1K2	11966	1J2	243958	1C14	255239	2C8	301974	2E3	331314	2E3
WM600051L	2C13	12755	1N6	243960	1C8	256082	1D3	302648	2E3	331315	2E3
WM600051L	2C2	12756	1N6	247121	1C13	256260	2D3	302825	2D3	332146	2D5
WM600051L	2C8	17H2475L	1O4	250431	2C3	257017	1D12	302828	2C18	332146	2D6
WM600051L	2D3	17H5205	1N3	250995	2C11	257017	2D4	303750	2C12	332400	2C10
WM600061L	1D3	17H8580	1O12	251323	1G11	264195	1L2	303875	2F2	332401	2C10
WM600061L	1D5	18G8951L	1J2	251323	1G14	264581	1N2	306471	2C14	332647	2C11
WM600061L	1D6	18G8953L	1J2	252180	1N7	264581	1N3	306471	2C15	332647	2C7
WM600061L	2C2	213760	1M2	252180	1N8	264590	1N4	3101	1K2	332670	2C10
WM600061L	2C4	216708	1K3	252514	1C14	264591	1N4	312855	1G6	332670	2D5
WM600081L	2C7	22G1941	1E3	253205	1C16	264591	1N5	320045	2C3	334121	2C17
WM600081L	2G2	2215L	2C12	253205	1C17	264767	1J2	320888	2E3	334121	2C6
WM600071L	2C16	2215L	2F2	255021	1C8	267837	1K2	320883JCD	2D9	334151	1N7
WM702001L	1D5	2285L	1K2	255206	1C13	268589	1N5	320884HCE	2D9	334154	1N7
WM702001L	1K2	2286L	1C8	255206	1C7	268887	1C13	320885NCE	2D9	334189	2C5
WM702001L	1M2	231190	2C18	255206	1H3	272512	1G6	330143	2C7	334242	1N7
WM702001L	1N2	232038	1C8	255206	1K3	275089	1C18	330182	2C16	334242	1N8
WM702001L	1O12	232038	2C13	255206	1N5	276053	2C2	330183	2C16	334485	2C10
WM702001L	2C6	232538	2C3	255206	1N7	276484	1G2	330198	2C16	334523	2C9
WM702001L	2C9	232590	1N18	255206	2C10	276719	1G5	330202	2C16	334523	2F2
WM702001L	2D3	233243	1M2	255206	2C11	276720	1G5	330203	2C16	334525	2F2
WM702001L	2D4	234532	1G2	255206	2C12	276954	1G3	330285	2D2	335379	2C10

LAND-ROVER

LAND ROVER
PARTS LTD



MILITARY VEHICLE

fiche2
H6

NUMERICAL INDEX

PART NO	PAGE	PART NO	PAGE	PART NO	PAGE	PART NO	PAGE	PART NO	PAGE	PART NO	PAGE
335498	2C8	335741	2C14	345581	1M2	343075	2E3	346391	2C6	348430	2C9
335499	2C8	335741	2C15	345662	1O12	346090	1N7	348393	2C16	348747	1H3
335529	2D5	335771	1O3	345999	2D5	346089	2E2	346395	2C16	348797	1O3
335530	2D6	335772	2D8	345699	2D6	346109	2C7	346396	2C8	349172	2E2
335584	2C10	335794	2D8	345917	2C5	348120	2D5	348456	2C8	349772	2C16
335593	2C18	335797	2D8	346007	2C8	346120	2D6	346460	2C16	349988	2E3
335599	2C17	335798	2C11	346008	2C7	346121	2D4	346468	1H2	362459	1K2
335599	2C18	335830	2D3	346009	2C8	346128	2C6	346469	1H2	364175	2C10
335601	2C17	335830	2D5	346010	2C7	346129	2C8	346599	2C7	369077	2C7
335605	2C17	335831	2D3	346018	2C15	346139	2C17	346703	2C13	37H1117	1D2
335608	2C18	335831	2D6	346017	2C14	346140	2C17	346984	2C13	37H2736L	1O11
335611	2C18	335832	2D2	346018	2C14	346144	2D3	346989	2C13	3817	2C12
335618	2C18	335848	2D3	346019	2C15	346195	2C11	347073	2C12	3817	2C5
335657	2C7	335864	2C11	346035	1N7	346220	2C17	347074	2C12	3817	2D8
335660	1H3	3359	1H4	346035	1N8	346221	2D2	347094	2C10	3819	1C18
335661	1H3	336348	2C18	346048	2C17	346225	1M2	347151	2C14	3830L	1C8
335665	2C5	336422	2C13	346052	2D3	346231	2C15	347151	2C15	3830L	1D4
335666	2C5	336441	1N8	346053	2D3	346232	2C14	347301	2D5	3830L	1K2
335667	2C5	336451	2C18	346058	2D3	346238	2D2	347302	2D6	3830L	2C13
335680	2C12	336454	2C16	346057	2D4	346241	2D4	347322	2C16	3831L	1H3
335681	2C12	336738	2C7	346061	2D3	346246	1M2	347488	2C18	3831L	2C12
335689	2C11	338013	2C7	346063	2C18	346255	2C12	347526	2C16	3831L	2C14
335692	2C11	338015	2C7	346064	2C15	346256	2C12	347618	2C10	3831L	2C15
335695	2D4	338020	2C2	346065	2C14	346283	2C8	347632	2C8	3831L	2C17
335738	2C15	338020	2C7	346067	2C15	346290	2C6	347637	2C13	3831L	2C18
335737	2C14	338023	2C8	346068	2C14	346293	2C7	347638	2C13	3831L	2C8
335738	2C5	338029	2C7	346071	2C12	346294	2C7	347774	1N18	3831L	2D2
335738	2C5	338380	2C10	346072	2C11	346296	2C8	348015	1N7	3831L	2D4
335740	2C14	345510	2D8	346073	2C5	346359	1M2	348090	1N7	3890	1K2
335740	2C15	345539	1N7	346075	1N8	346374	2C11	348090	1N8	3900L	2C12



LAND-ROVER

MILITARY VEHICLE

fiche2
H7

NUMERICAL INDEX

PART NO	PAGE	PART NO	PAGE	PART NO	PAGE	PART NO	PAGE	PART NO	PAGE	PART NO	PAGE
3900L	2C5	4032L	2C7	514774	1N2	540870	1K2	552457	2C2	560411	1O2
3900L	2C7	4034L	2C8	514775	1N2	541008	1C7	552529	1C18	560518	1N15
3900L	2D2	4034L	2C8	514929	1H	541010	1C3	552531	1C18	560548	1N15
3912	1H	4034L	2D4	515599	1K2	541753	1C8	552604	1N15	560550	1N5
395037	2C15	4034L	2D8	516962	1N18	541817	1C16	552606	1C18	560604	1O10
395038	2C14	4035	2C14	517469	1L2	541817	1C17	552613	1O7	560757	1K2
395078	2D4	4035	2C15	519241	1C8	542218	1C7	552615	1O7	560767	1N6
395141	1O4	40441	1C16	523807	2G2	542636	1C6	552629	1N15	560788	1N6
395142	2C14	40441	1C17	526265	1C16	542688	1C7	552631	1N15	560885	1O11
395142	2C15	4094	2G2	529215	1C8	543582	2C2	552632	1N15	561956	1G5
395143	2D5	4095	1D4	529221	1C8	543803	1K2	552682	1N18	561957	1G5
395143	2D6	4203	1N5	529223	1C8	543808	1K2	552785	1C18	561981	1G5
395294	2D4	4361L	2C11	530304	1C7	545883	2C10	553004	1G2	561981	1G8
395295	2D4	4574	2C13	531447	2G2	546210	1C13	554163	1C14	562623	1G9
3958L	1H	4594L	2D3	531448	2G2	546590	1C14	554260	1C13	562624	1G9
3958L	2C18	4868L	2C2	531523	1O11	547023	1N3	554286	1D4	562627	1G9
396038	1N7	4872	2C17	531586	1N2	547136	1N4	554422	1C13	562628	1G9
396064	1N8	4890	1D3	531598	1N15	547692	1D3	554898	1C16	562631	1G13
396140	2C9	500388	1C8	531724	1C8	547752	1D3	554898	1C17	562632	1G13
3966L	2C8	500918	1N18	532063	1C8	547849	1D3	554971	1D4	562635	1G14
396696	2E3	500918	1O10	532387	1O12	549229	1G2	555711	2G3	562636	1G10
3972	1K2	503352	1N18	532747	1O10	549611	1C16	555835	1O7	562637	1G10
4023	1N4	504806	2C2	533354	1E3	549611	1C17	559322	1N18	562640	1G10
4023	1N5	504807	2C2	534367	1D3	549700	1C8	559323	1O7	562641	1G10
4023	2D6	505197	1N3	534368	1D3	549701	1C8	559782	2C2	562692	2G2
4023	2D6	50528	1D5	535608	1C7	549733	1C7	559836	1G10	562640	1I2
4030	1M2	508493	1O10	536126	1N5	549735	1C7	559843	1G10	563132	1C7
4030L	2C8	509045P	1G2	538393	1D4	551407	1O5	559868	2C4	563132	1D4
4030L	2D5	510215	1D7	538663	1C7	551508	1O4	559882	2G2	564455	1C9
4030L	2D6	510817	1N4	540870	1F2	551801E	1N13	560406	1N18	564923	1M2

LAND-ROVER
LAND ROVER
PARTS LTD

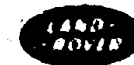


MILITARY VEHICLE

fiche2
H8

NUMERICAL INDEX

PART NO	PAGE	PART NO	PAGE	PART NO	PAGE	PART NO	PAGE	PART NO	PAGE	PART NO	PAGE
565233	1N2	574469	1C8	589596	1C18	600726	1C17	600774	1D5	601646	1D2
566605	1C15	574750	1C14	589682	1H2	600730	1C16	600778	1D5	601647	1D2
56666	1K2	574870	1D4	589729	1N9	600730	1C17	600779	1D5	601649	1D2
566713	1C18	575048	1N15	589730	1H10	600732	1C16	600780	1D5	601649	1D2
566713	1C17	575184	1N15	589856	1N9	600737	1C16	600781	1D5	601652	1N13
566890	1C18	575185	1N15	589857	1N10	600743	1C16	600782	1D5	601653	1D2
566908	2C4	575221	1N18	589877	1N4	600743	1C17	600783	1D5	601670	1N13
566950	2C4	575312	1N5	589973	1N4	600745	1C16	600784	1D6	601790	1G2
566979	1H4	575448	1N15	589973	1N5	600746	1C16	600785	1D6	603330	1C13
569006	1K2	577127	1H4	592306	1H4	600747	1C16	600786	1D6	604071L	1H3
569009	1H4	577138	2D3	592324	1J2	600748	1C16	600787	1D6	605021	1C16
569082	2F3	577158	1I2	592380	1H4	600749	1C16	600788	1D6	605021	1C17
569107	1H4	577230	1I3	595396	1G3	600750	1C16	600789	1D6	606339	1D2
569108	1H4	579006	1O3	595473	1G6	600756	1C16	600790	1D6	606420	1J2
569109	1H4	579037	1O5	596142	1C13	600757	1D5	600791	1D6	608246	1G4
569110	1H4	579038	1O5	596153	1C13	600758	1D5	600825	1D2	608246	1G7
569137	2D7	579225	1N18	596159	1C13	600759	1D5	600842	1N3	623090	1N12
569156	1M2	579292	1H2	596203	1C13	600760	1D5	600843	1N3	624028	1G14
569157	1M2	579435	1O9	596820	1C6	600761	1D5	600851	1N3	624030	1G10
569322	1M2	579454	1H2	596821	1C13	600762	1D5	600855	1N4	624036	1G10
569329	1M2	579496	1N12	598231	1C6	600763	1D5	601626	1D2	624077	1G10
569338	1J2	587120	1C13	598331	1C5	600765	1D5	601627	1D2	624078	1G10
569479	1H4	587180	1D4	598701	1N6	600766	1D5	601629	1D2	624084	1G14
569671	1J2	589027	1N18	598735	1L2	600767	1D5	601632	1D2	6419	1E3
570822	1N4	589115	1O4	598867	2G2	600768	1D5	601636	1D2	7014	2C2
571251	1E3	589151	1N14	599443	1J2	600769	1D5	601641	1D2	7015L	2C2
571323	1G5	589189	1N18	599630	1G8	600770	1D5	601642	1D2	70742	1H4
571323	1G8	589196	1O3	599531	1G8	600771	1D5	601643	1D2	73198	2C7
572548	1C13	582266	1N18	600856	1G2	600772	1D5	601644	1D2	73979	2C9
574264	1C13	582271	1H2	600726	1C16	600773	1D5	601645	1D2	74838	2C18



LAND ROVER
PARTS LTD



MILITARY VEHICLE

fiche2
H9

NUMERICAL INDEX

PART NO	PAGE	PART NO	PAGE	PART NO	PAGE
77701	1N4	78321	2D5	90510912	2D2
77701	1N5	78321	2D6	90516028	1C8
77899	2C5	78322	1K3	90519215	1C8
77899	2D6	78329	2C12	90545020	1O5
78120	2C9	78348	1M2	90552617	1O7
78159	2C13	78348	1N2	90552618	1O7
78206	2C5	78390	1N6	90560612	1K2
78208	2F2	78599	1N5	90569118	1L2
78210	2C8	78755	1O11	90571321	1G5
78237	2C6	78788	1N8	90571321	1G8
78237	2C8	78788	2E3	90575153	1O3
78248	2C10	78833	2D2	90575155	1O10
78248	2C11	78885	2C11	90576693	1E3
78248	2C14	78929	1H2	90577209	1M2
78248	2C15	78929	1K2	90577529	1K2
78248	2C16	79232	2D5	90577531	1K2
78248	2C17	79232	2D6	90600725	1C16
78248	2C8	79233	2D5	90600725	1C17
78248	2C7	79233	2D6	90601863	1N13
78248	2C9	79239	1M2	90606422	1J2
78248	2D2	79246	2C12	90607161	1D6
78248	2D3	79246	2C5	90608330	1O12
78248	2D4	8407L	1G2	90608485	1N4
78248	2D6	88G586L	1M2	90608485	1N5
78248	2D6	90215769	1E3	90624063	1G14
78248	2E3	90500921	1N6		
78248	2F2	90501505	1D5		
78278	2C10	90508545	1K2		
78301	2C8	90510912	1C16		
78321	2D4	90510912	1C17		





MILITARY VEHICLE

fiche2
H10

NEW PARTS TO FICHE

PART NO PAGE