

SERVICE INFORMATION

Vol. 1 No. 8

LAND-ROVER PETROL AND DIESEL MODELS



Rover
British Leyland UK Limited,
Solihull, Warwickshire, England

October, 1972

The headings in this index are in the same sequence as the divisions in the Repair Operation Manual. Under these headings each item is detailed alphabetically with the appropriate manual section or division number for easy reference. The last two columns indicate numerically the individual items covered and the issue in which they appeared.

INDEX Vol. 1 Nos. 7 and 8

Description	Manual Section or Division	Model	Issue No.	Item No.
Fuel System Bendix fuel pump	19	Series III 109 in. 2.6 litre	8	29*
Gearbox—synchromesh Gear lever ball-end	{ C 37	Series IIA Series III	7 7	23 23
Electrical Battery replacement	{ N 86	Series IIA Series III	7 7	21 21
Boost starting vehicles	{ N 86	Series IIA Series III	8 8	25 25
Miscellaneous Exchange Parts and Units	—	Petrol engines, 1955/61 Gearbox, 1954	8	26
Parts identification	—	All	7	22
PCMI Reader (MOD 6)	—	All	7	24
PDI Forms	—	All	8	26A
Repair Operation Manual	—	Series III	8	32
Return of Rover Warranty material	—	All	8	27
Service publications	—	All	8	28
Service Tools Service tool for differential Rover type axles only	{ Z 99	Series II, IIA Series III	8 8	30 30
Service tool for front hub	99	Series III	8	31

Policy items printed in bold type.

*Items contain suffix letter change.

Item 25

SUBJECT: BOOST STARTING VEHICLES (Policy Item)

MODELS: All Land-Rover

REMARKS: It has been brought to our attention that a practice exists where a 24 volt battery is introduced into a 12 volt system to aid starting. Distributors and Dealers are advised that such a practice is totally unacceptable and will almost certainly cause irreparable damage to electrical components. It should also be observed that the battery in any vehicle fitted with an alternator must not be 'boost' charged, while it is connected to the vehicle's electrical system or the internal components of the alternator will be damaged.

NOTE. When charging a battery ensure that the voltage setting on the charging equipment is the same as the battery rating and that parallel polarity is maintained. Should any electrical components be returned to this Company in support of Warranty Claims, and it is subsequently proved that these have been subjected to a substantial voltage over-load attributed to either of the above causes, the associated claims will be cancelled or disallowed, as appropriate, and the components returned to the Distributor or Dealer concerned.

Item 26

SUBJECT: EXCHANGE PARTS AND UNITS (Policy Item)

MODELS: Land-Rover Petrol engine.
Land-Rover gearbox.

MODIFICATION: Withdrawal from Exchange Scheme of two engines and one gearbox.

PART NUMBERS:

Engine assembly, petrol	1	269217	1955-58
Engine assembly, petrol	1	524139	1958-61
Gearbox assembly	1	522776	1954

REMARKS: In view of the reduced demand the above replacement major units have been withdrawn from the Exchange Scheme. However, individual engine and gearbox components for these models are still available from our Parts Department at Cardiff.

Item 26A

SUBJECT: P D I FORMS, UK ONLY (Policy Item)

MODELS: All Land-Rover.

LITERATURE AFFECTED: Service Policies and Procedure Manual, Part No. AKD 8000, January, 1972, page 16, paragraph 2 refers.

PART NUMBER: Pre-Delivery Inspection form AKD 8001

REMARKS: Recently a number of P D I forms have been returned to the Rover-British Leyland UK Ltd. It is emphasised that P D I forms must be retained by Franchise Holders in their vehicle master file in accordance with the procedure outlined in the Manual. See reference above.

Item 27**SUBJECT: RETURN OF ROVER WARRANTY MATERIAL (Policy Item)****MODELS:** All Land-Rover.

REMARKS: All overseas Distributors and British Leyland Companies are further reminded of the correct procedure to adopt before returning warranty displaced materials to this Company, as outlined in Land-Rover Service News Letter Volume 3, No. 14, Item 101. Prior authority must be obtained from Technical Service Department, Service Division, or the Area Service Representative before the parts are despatched.

Where approval is given by the Company for such materials to be returned for special investigation, it is essential that there is adherence to the following procedure:

1. Notify Rover-British Leyland UK Ltd., Technical Service Department, when shipment has been effected, detailing the method of transport used and quoting any appropriate references.
2. Submit a free of charge invoice in duplicate, itemising the parts that are being returned and quoting a nominal value for the parts for customs purposes.
3. Where the delivery of parts is by sea transport, bills of lading should be forwarded, together with the invoices required under paragraph 2.
4. Where parts are despatched by air, in addition to two copies of the invoices required under paragraph 2, an additional copy should be sent forward with the airway bill.

Because of the confusion and expense in which this Company is involved when parts are returned without prior notification and without proper documentation being sent forward, it is necessary to again stress to all Overseas Companies and Distributors the importance of adhering to the above instructions.

Where parts are returned without the appropriate authority or documentation being submitted, the Company will be unable to assume responsibility for costs and customs clearance and this could involve Overseas Distributors and Companies in considerable expense which, in their own interests, should be avoided.

In certain instances where a proprietary manufacturer is carrying out a specific investigation, a request may be made for the displaced parts to be forwarded direct to the manufacturer concerned. In such a case, the same procedure should be adopted, but any invoices may be submitted to the manufacturer concerned and both the manufacturer and Rover-British Leyland UK Ltd., Technical Service Department should be notified of the despatch details.

Item 28**SUBJECT: SERVICE PUBLICATIONS (Policy Item)****MODELS:** All Land-Rover.

LITERATURE AFFECTED: Technical Literature Catalogue, Part No. AKD 8033, Issue 1.

REMARKS: We receive many requests for various Rover publications direct from owners. It seems that in most cases they have been unable to obtain the required literature from their Distributors or Dealers.

Supplies of all the publications shown in the British Leyland Technical Literature Catalogue, AKD 8033, are readily available to Distributors and Dealers from the Rover Parts Department at Cardiff.

While it is appreciated that Distributors and Dealers cannot maintain large stocks of all publications they should endeavour to keep a selection of those for which there is a regular demand.

Copies of the Technical Literature Catalogue are available from:

Rover
British Leyland UK Ltd.,
Technical Service Dept.,
Publications Section,
Solihull,
Warwickshire,
England.

Item 29

SUBJECT: **BENDIX FUEL PUMP**

MODELS: Land-Rover Series III 109, 2.6 litre.

MODIFICATION: Introduction of Bendix electric fuel pump, replacing the S U fuel pump previously used, to overcome problems of corrosion.

P C M I

TRANSPARENCY: The information detailed in this item will be incorporated in the next available transparency.

LITERATURE
AFFECTED:

Land-Rover Series IIA Parts Catalogue, Part No. 608024, page 04.41.

Land-Rover Repair Operation Manual (English) Part No. 607314 operation 19.45.08.

PART NUMBERS:	Electric fuel pump	1	568189	} Part of 568189
	Filter for pump	1	606262	
	Gasket for filter	1	606261	
	Lucrimp connector	1	536937	
	Mounting bracket for pump	1	598575	
	Bolt ($\frac{1}{4}$ in. UNF x $\frac{5}{8}$ in.)	} Fixing bracket to frame		1	3074	
	Spring washer	}		1	254810	
	Nut ($\frac{1}{4}$ in. UNF)	}		1	568244	
	Braid strip	}		2	510170	
	Fan disc washer	} Fixing pump to bracket		2	3840	
	Plain washer	}		4	3074	
	Spring washer	}		4	254810	
	Nut ($\frac{1}{4}$ in. UNF)	}		2	570491	
	Rubber mounting	}		1	272512	
	Grommet at rear body bracket mounting	2	572535	
	Adaptor on pump	1	595339	
	Fuel pipe, pump to filter	1	595340	
	Fuel pipe, tank to pump	1	589570	
	Cable assembly, coil to pump	1	589570	

COMMENCING
NUMBER:

Chassis suffix letter change:

Land-Rover 109, Series III, 2.6 litre models from suffix B onwards.

REMARKS:

The Bendix fuel pump is being fitted to current Land-Rover 109 vehicles with 2.6 litre engine.

It is important therefore that stocks of the relevant parts are obtained as required from our Parts Department to ensure that Service requirements can be met.

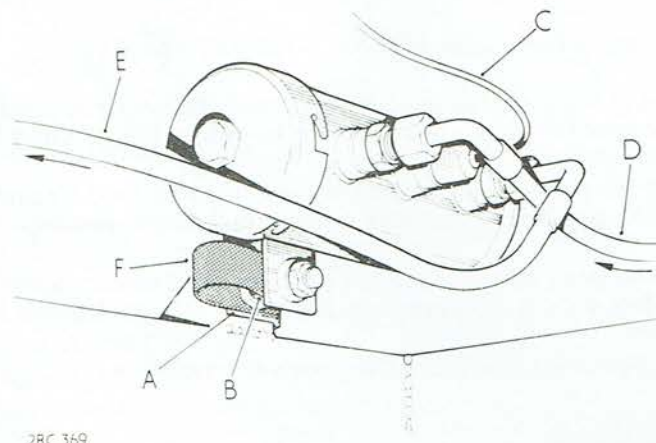


Fig. 1 Fuel pump installation

A—Pump mounting bracket

B—Rubber mounting

C—Feed wire

D—Inlet pipe from tank

E—Outlet pipe to filter

F—Earthing strap

Item 30

SUBJECT: SERVICE TOOL FOR DIFFERENTIAL (Rover type axles only)

MODELS: Land Rover Series II, IIA and III.

MODIFICATION: Introduction of a lengthened centre bolt for the differential pinion head bearing removal tool; the associated press block has also been modified to give improved contact with the head bearing. The centre bolt length has been increased from 180 mm (7 in.) to 230 mm (9 in.); press block diameter increased from 69 mm (2.7 in.) to 77 mm (3.0 in.).

LITERATURE AFFECTED:

Land Rover Series II and IIA Workshop Manual, English, Part No. 606408, Operation E1-14.

Land-Rover Series III Repair Operation Manual, English, Part No. 607314, Operation 54.1007.

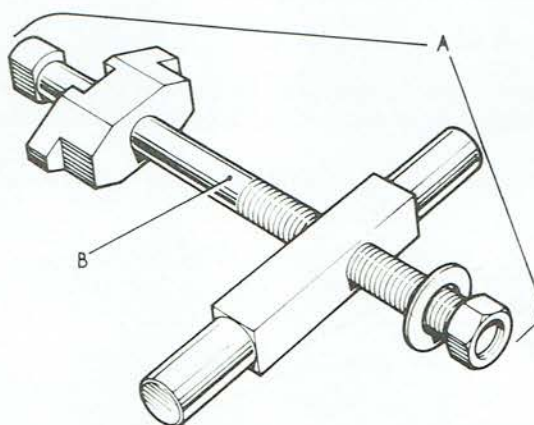
PART NUMBERS:

Removal tool for pinion head bearing	1	262757A
Centre bolt, long, part of 262757A	1	262757A detail 3
Press block for pinion head bearing	1	262757-1

REMARKS:

On all Series III models and at the vehicle suffix letter change from 'G' to 'H' on Series IIA models, the pinion oil seal retainer is integral with the differential casing and not removable as previously; therefore a longer centre bolt has been provided for the Service tool used to remove and refit the pinion head bearing cup, to cater for the extra depth of casing involved.

Lengthening the centre bolt has resulted in a tool number change from 262757 (which remains suitable for early models) to 262757A which is suitable for both early and late models. The longer centre bolt is available separately under Part No. 262757A detail 3 to enable holders to modify their original tool Part No. 262757 which is then suitable for both early and late models.



2RC336

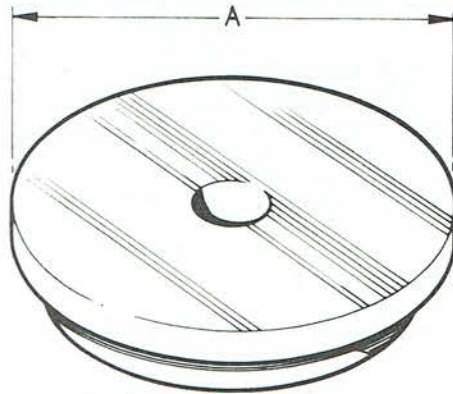
Fig. 2 Removal tool for pinion head bearing

A—Tool 262757A complete

B—If required centre bolt only obtainable separately under Part Number 262757A detail 3

In conjunction with the above modification, the opportunity has been taken to provide a new press block which gives a greater contact area with the pinion bearing cup. The new press block Part No. 262757-1 replaces the earlier press block Part No. 262758 for the following models:

Land Rover Series IIA with axle serial numbers from Suffix 'B' onwards, and all Land Rover Series III models.



2RC 337

Fig. 3 Press block for pinion head bearing

A—Early tool Part No. 262758 measures 69 mm (2.7 in.).
Later tool Part No. 262757-1 measures 77 mm (3.0 in.)

The literature affected will be revised accordingly at the next available reprint.

All orders for the above tools must be sent to:

Messrs. V. L. Churchill & Co. Ltd.,
PO Box No. 3,
London Road,
Daventry,
Northants, NN11 4NF.

Item 31

SUBJECT: SERVICE TOOL FOR FRONT HUB

MODELS: Land-Rover Series III.

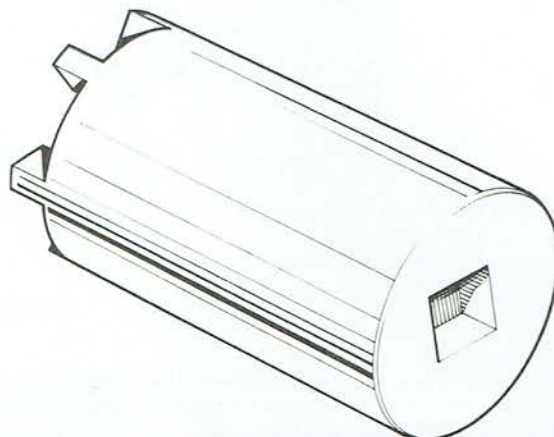
MODIFICATION: Introduction of a Service tool for removing/refitting the circular castle nut which retains the front hub driving member and the axle stub shaft.

LITERATURE AFFECTED: Land-Rover Series III Repair Operation Manual, English, Part Number 607314, Operation 60.25.01 and Division 99 (Service tools).

PART NUMBER: Spanner for stub shaft nut 1 R01010

REMARKS: The above Service tool is designed to engage in the castellations of the circular castle nut. The free end is provided with a 12.7 mm (0.500 in.) square hole to accept a suitable wrench.

The tool is suitable for use on vehicles fitted with free-wheeling hubs.



2RC 326

Fig. 4 Spanner for stub shaft nut

The literature affected will be revised accordingly at the next available reprint.

All orders for the above tool must be sent to:

Messrs. V. L. Churchill & Co. Ltd.,
PO Box No. 3,
London Road,
Daventry,
Northants, NN11 4NF.

Item 32

SUBJECT: REPAIR OPERATION MANUAL

MODELS: Land-Rover Series III.

REMARKS: The Supplement which brings the Land-Rover Series III Repair Operation Manual, Part No. 607314, completely up to date has been issued in accordance with the original circulation of the Manual.

Supplements for any additional Manuals which may have been purchased for your own use or for resale to customers can be obtained free of charge from Rover-British Leyland UK Limited, Lode Lane, Solihull.

Translated versions of this Supplement will be available at a later date.