

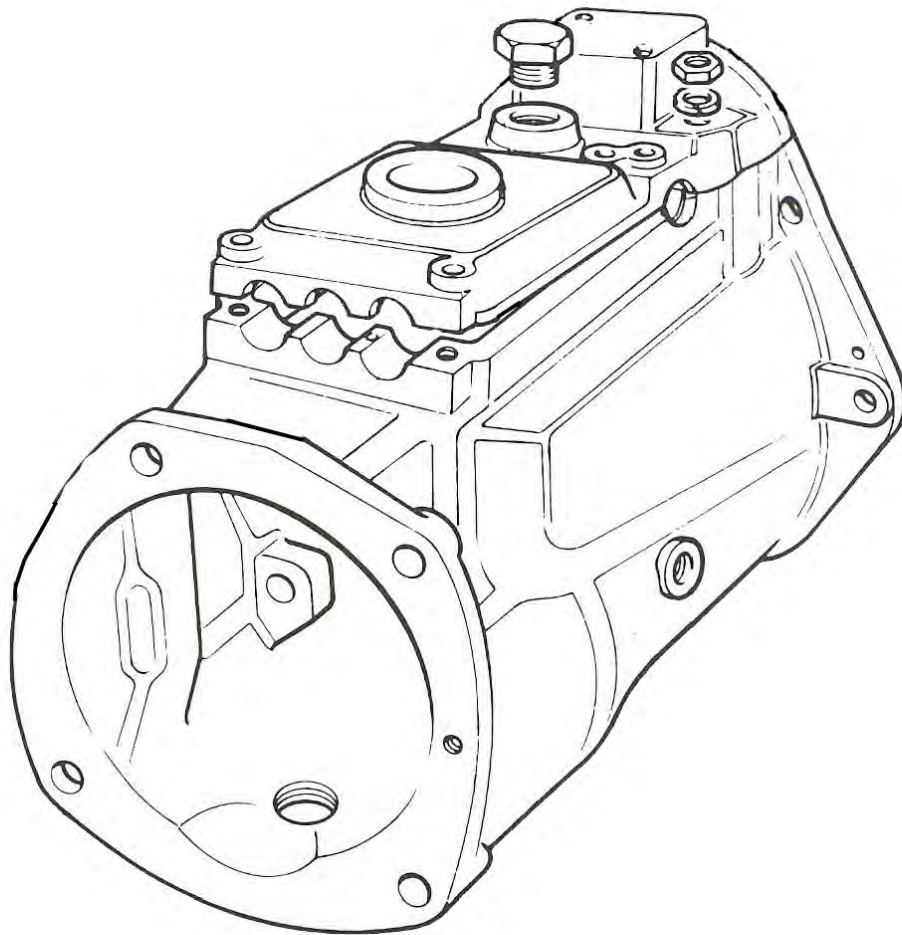


**Land Rover Series IIA
Parts Catalogue
Bonneted Control Models**

Part No. 608024A

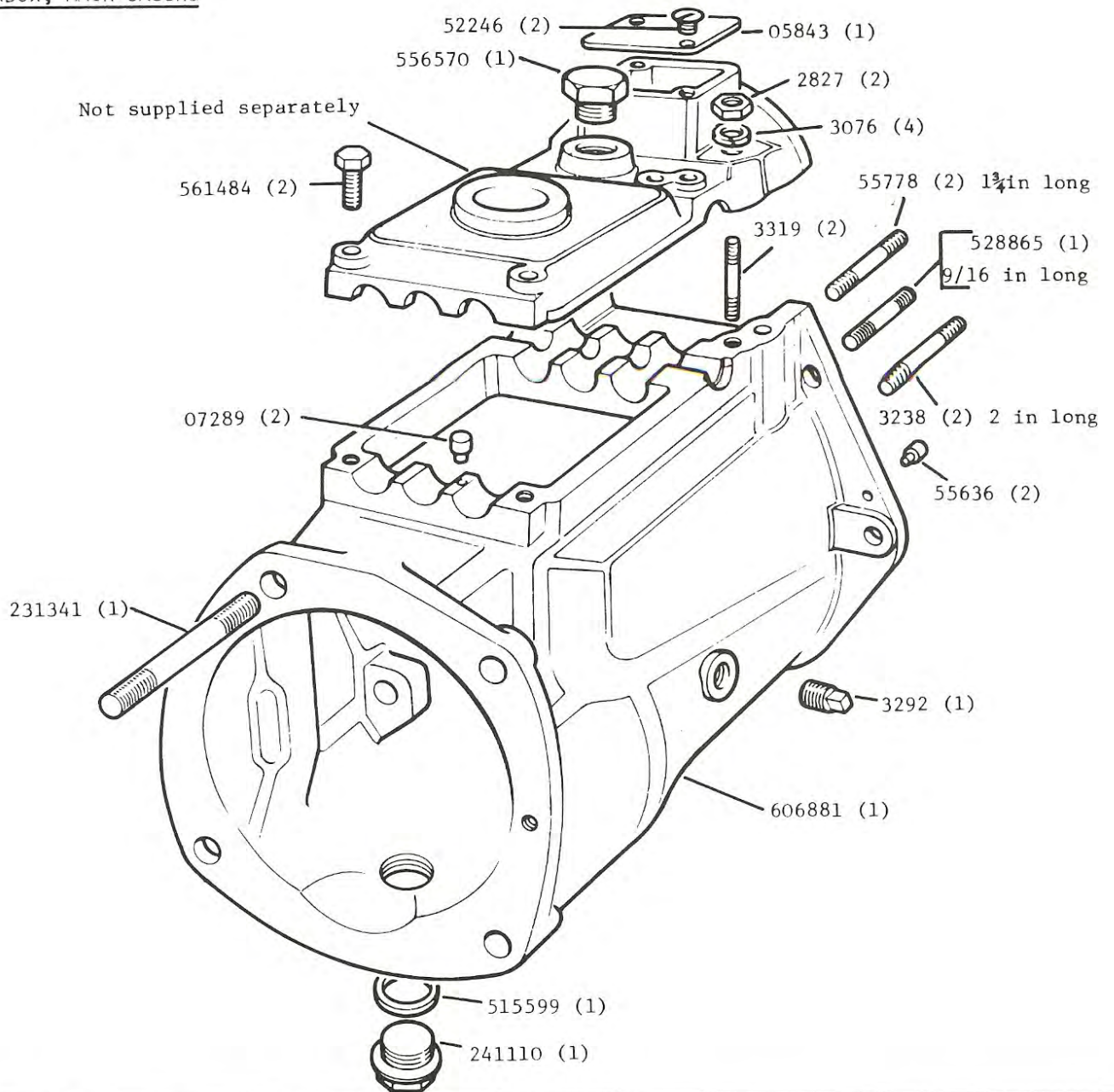
March 1974

Late 2A suffix H all synchro gear box



The following pages from 08 50 to 08 70 inclusive cover parts peculiar to Series IIA Land-Rover from Vehicle suffix 'H' onwards, all Synchromesh Gearbox fitted to Home Market 88 and 109 Station Wagons and Salisbury rear axle fitted to 109 models also miscellaneous parts required to accommodate these changes.

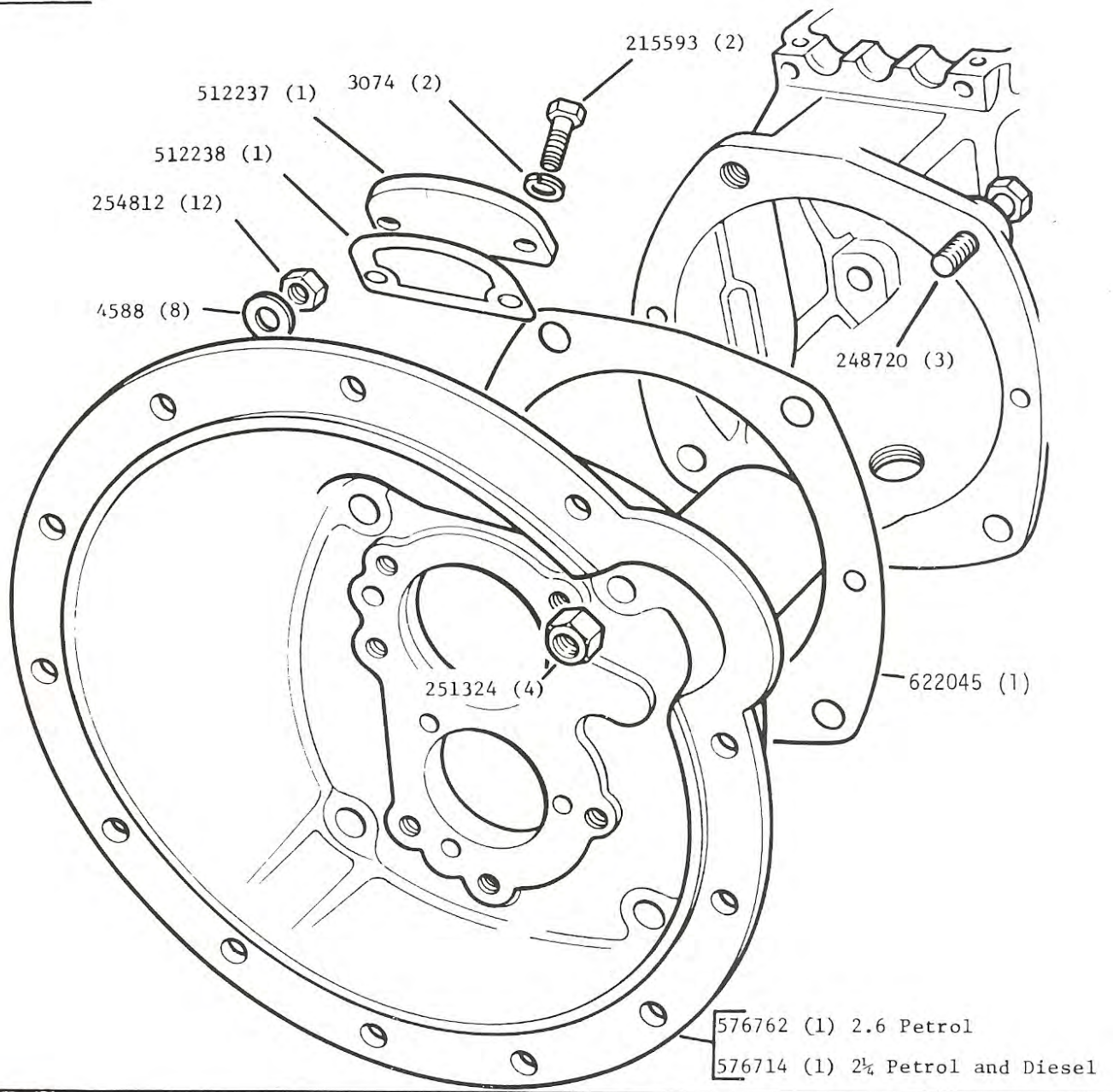
GEARBOX, MAIN CASING



REMARKS

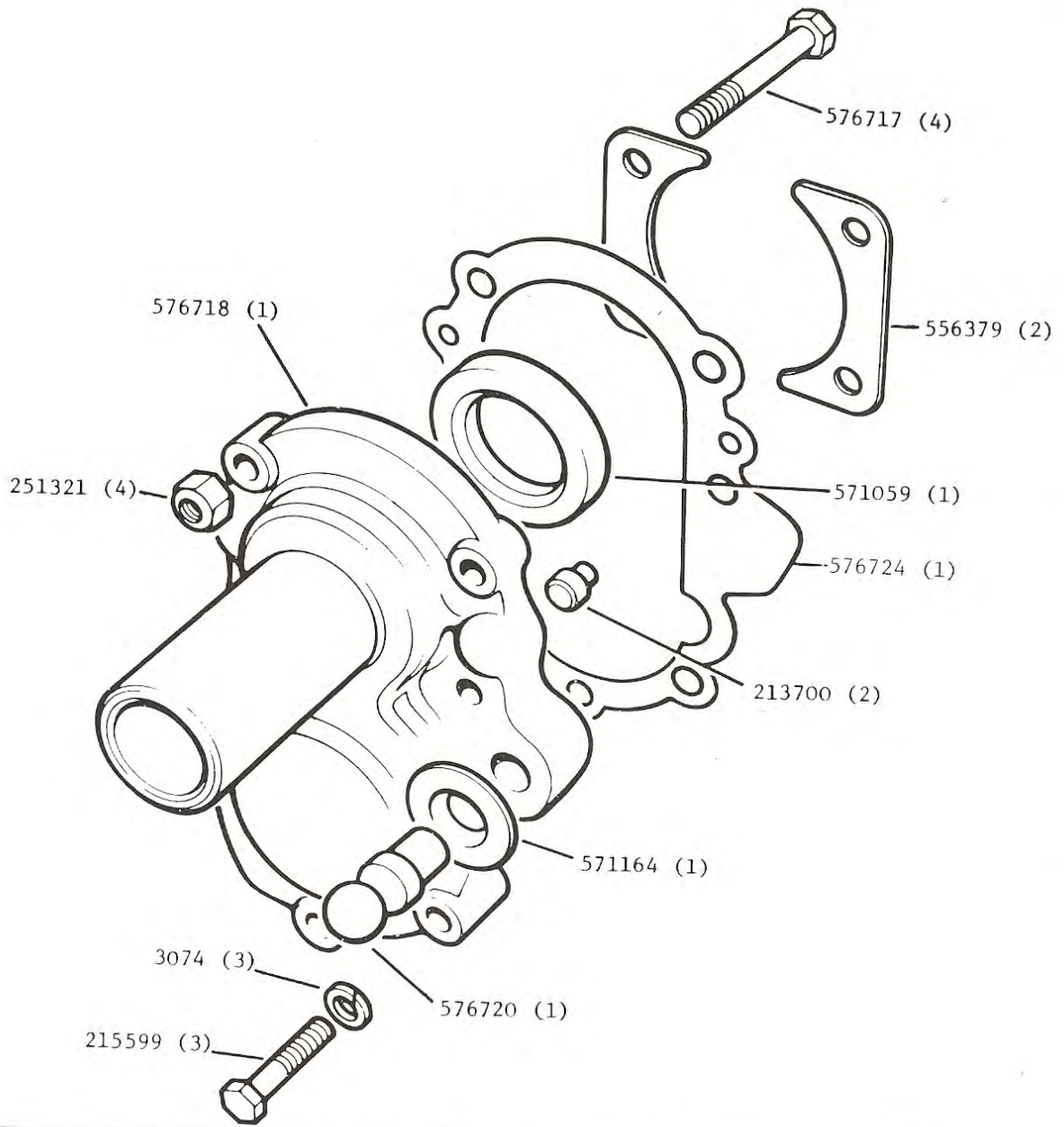
Gearbox Assemblies
 2 1/4 Litre Petrol & Diesel 576730 (1)
 2.6 Litre Petrol 576761 (1)
 Gearbox gasket kit 600603 (1)

BELL HOUSING



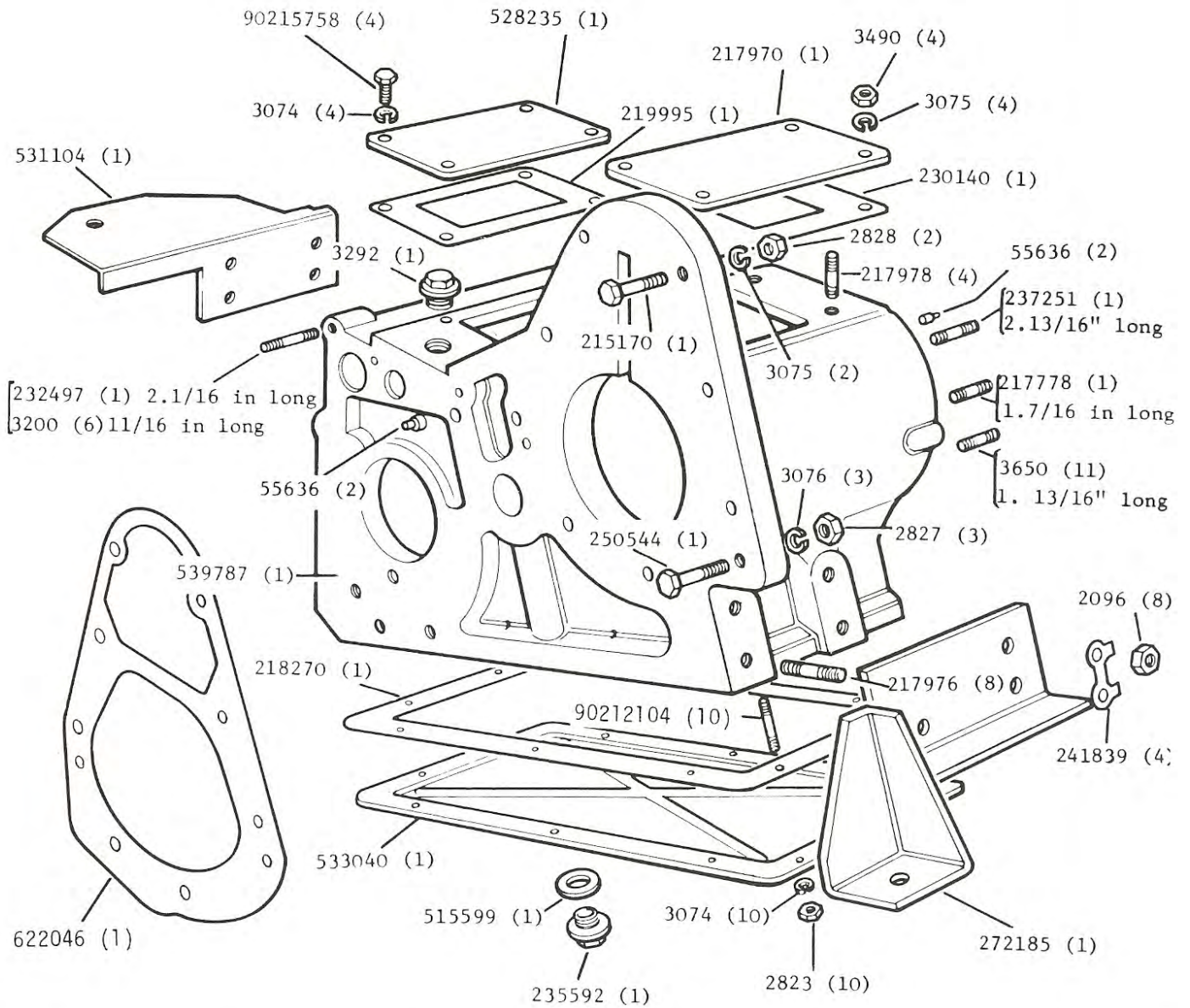
REMARKS

FRONT COVER



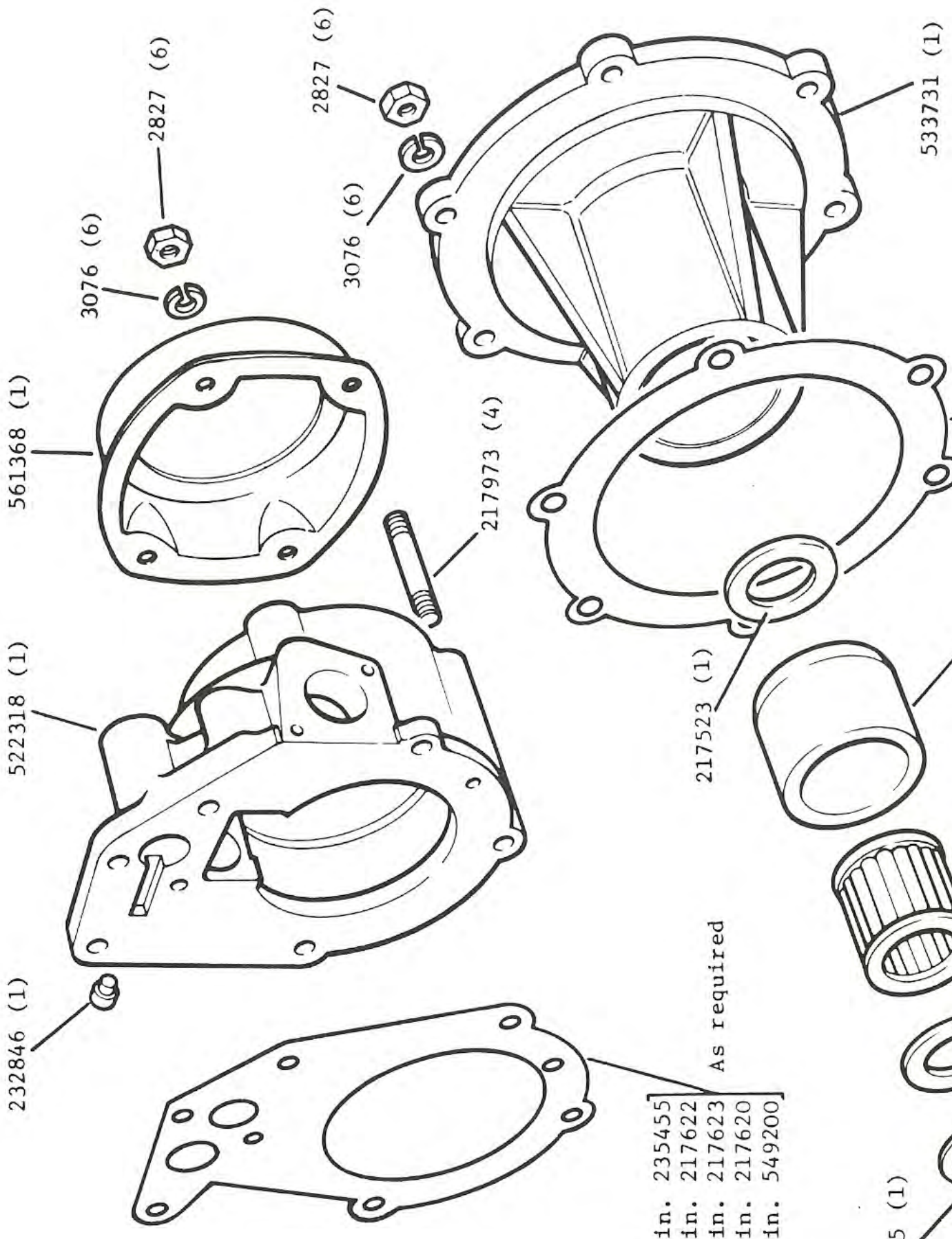
REMARKS

GEARBOX TRANSFER CASING



REMARKS

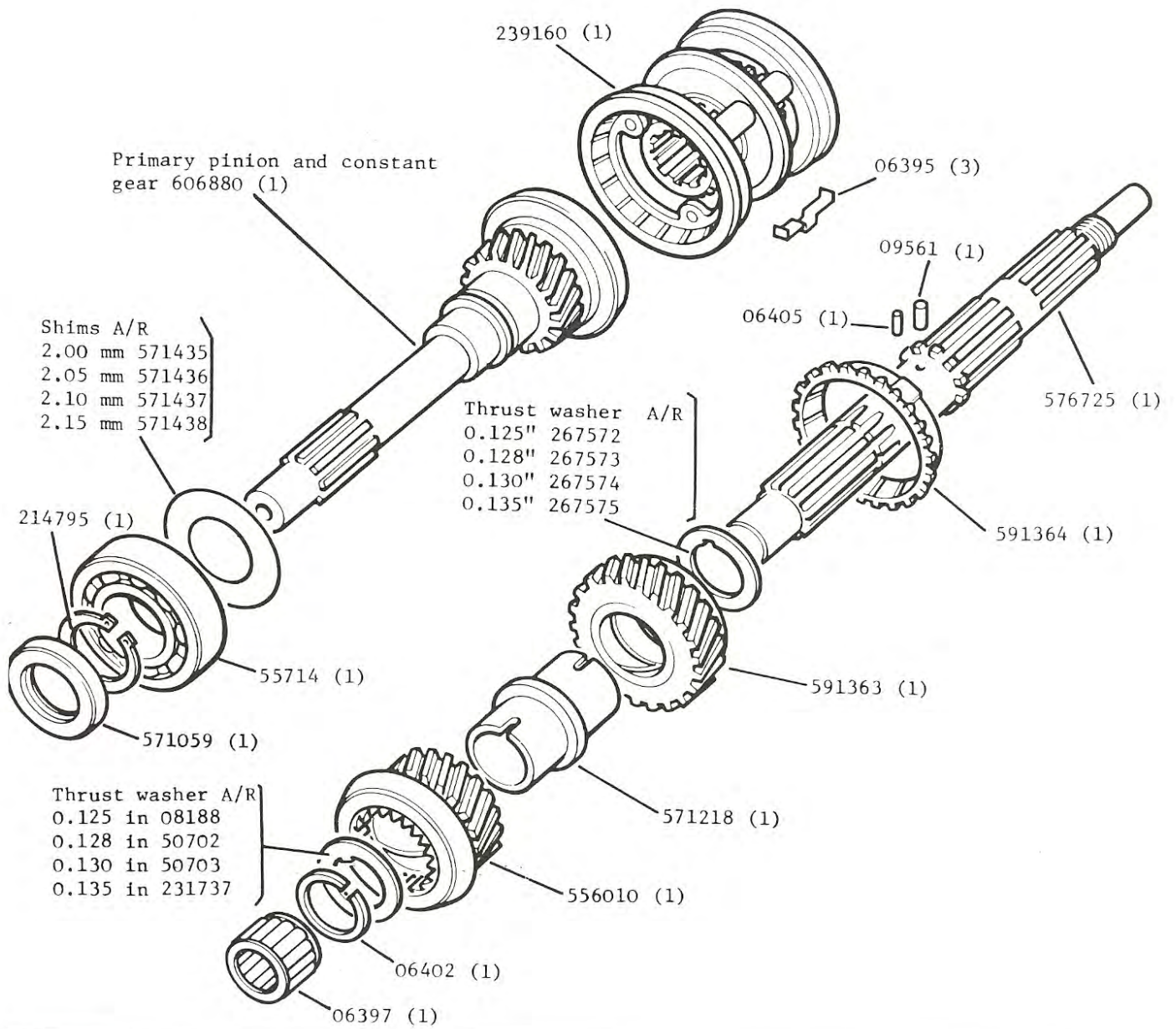
HOUSINGS, SPEEDOMETER PINION AND REAR MAINSHAFT BEARING



.003in.	235455
.005in.	217622
.010in.	217623
.015in.	217620
.040in.	549200

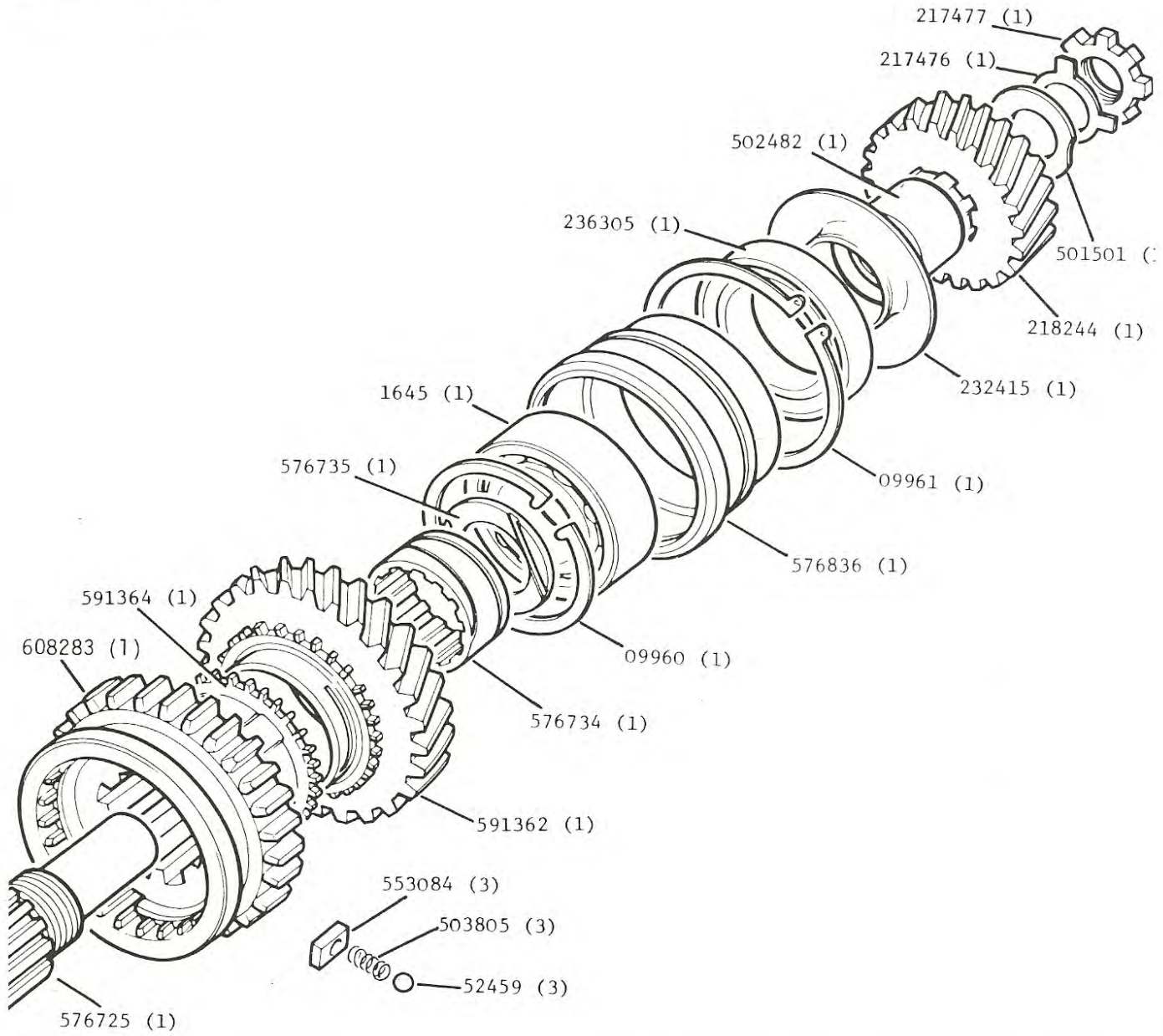
As required

PRIMARY PINION AND MAINSHAFT, FRONT



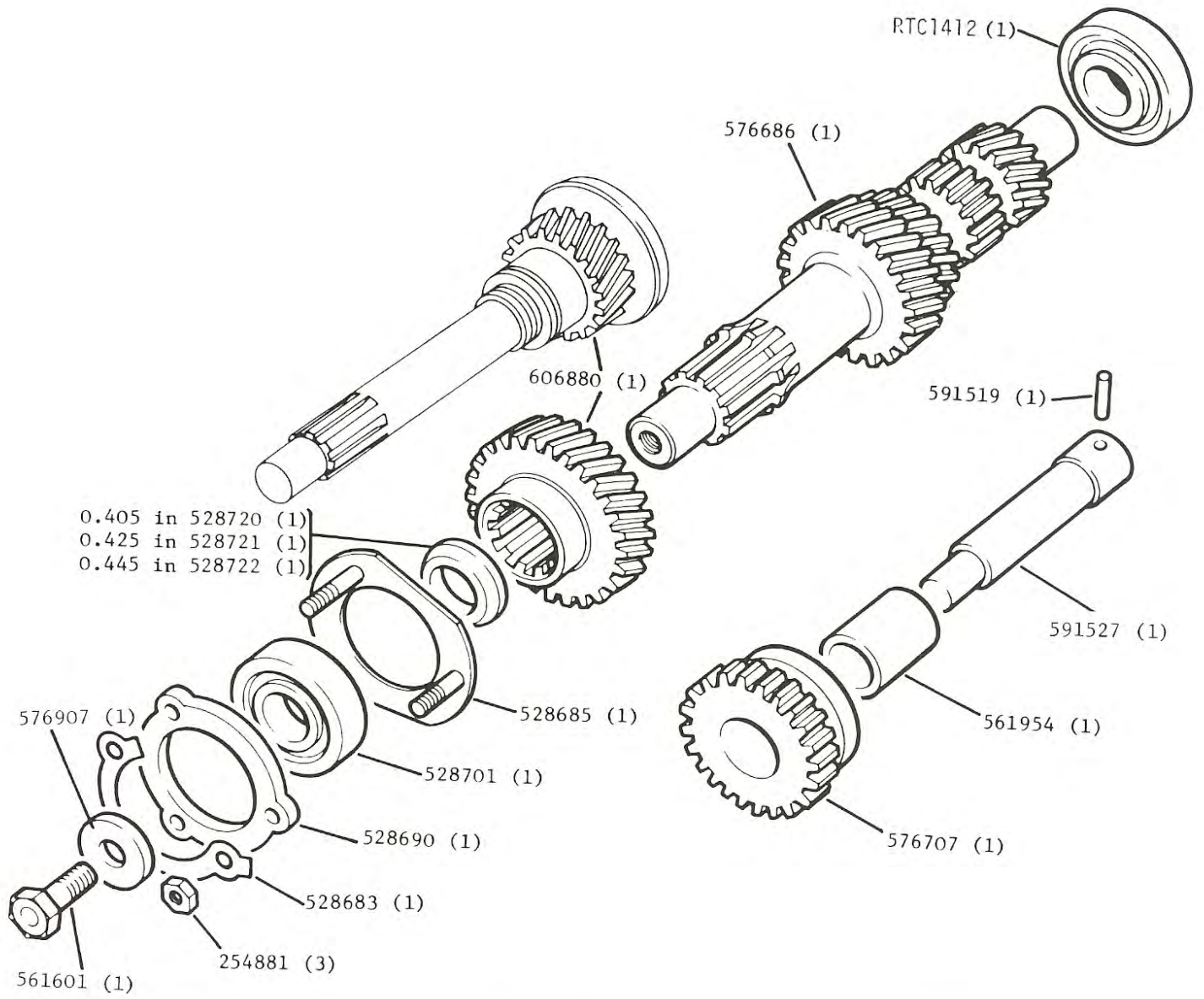
REMARKS

MAINSHAFT REAR



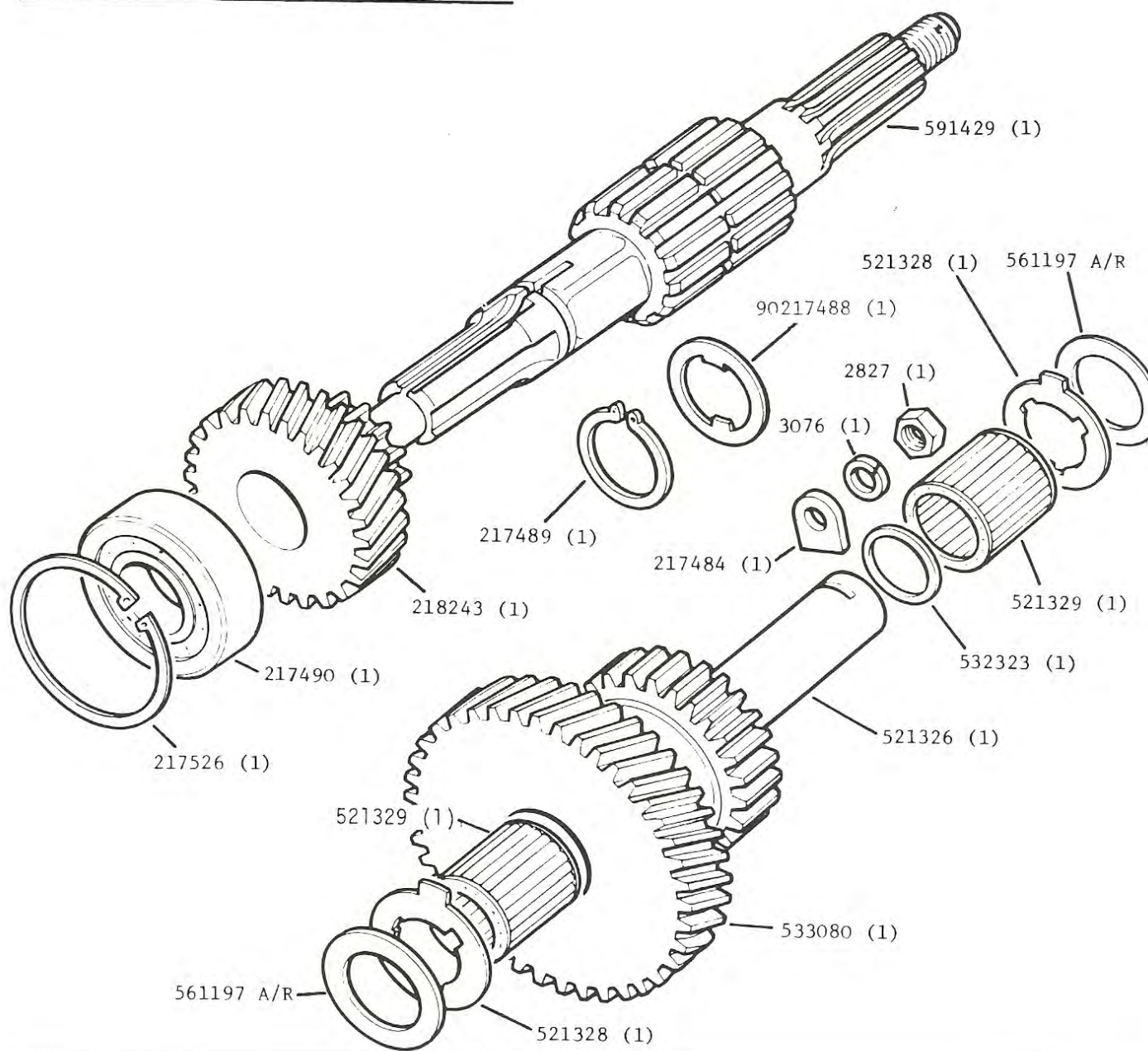
REMARKS

LAYSHAFT, GEARS AND REVERSE



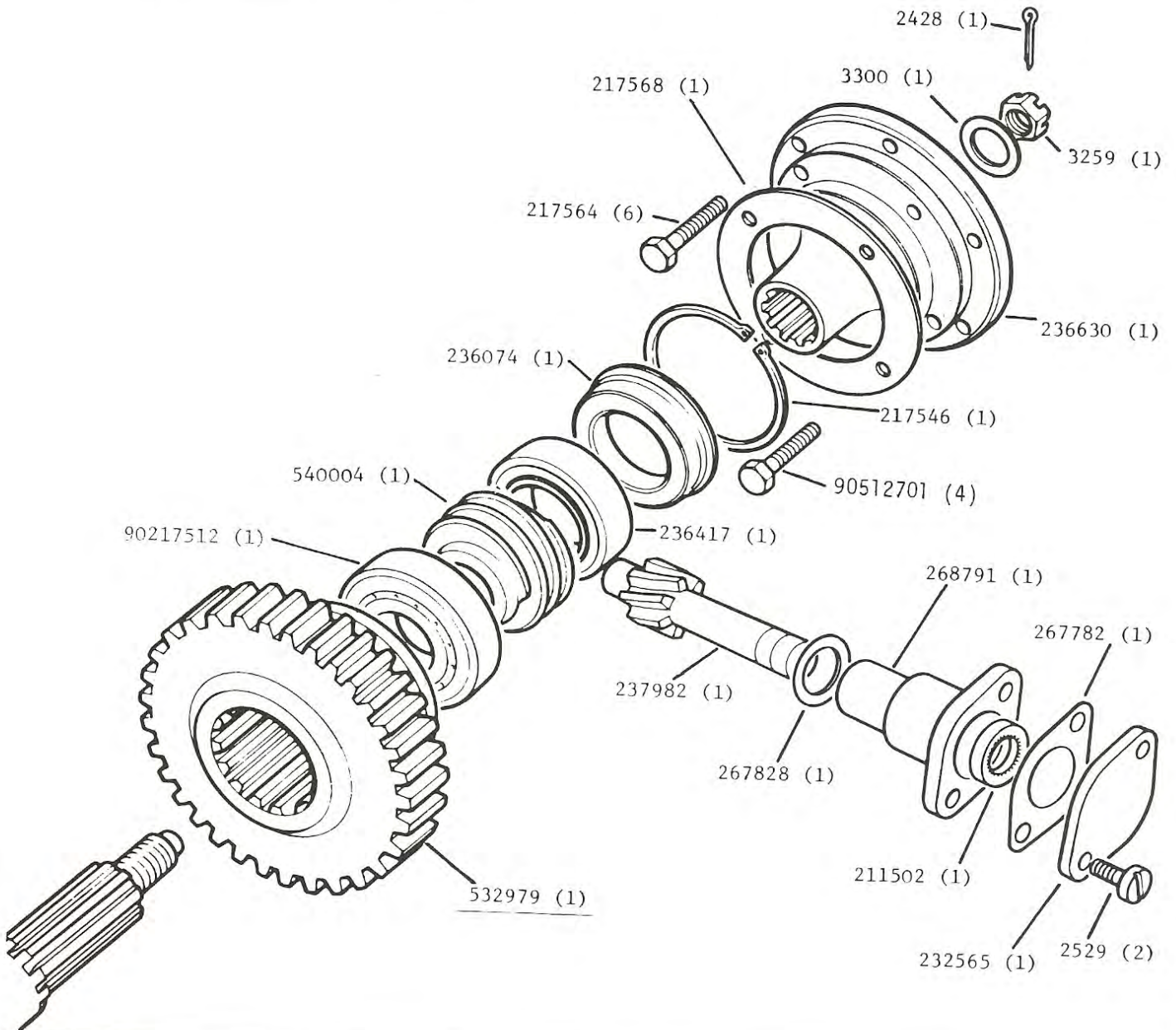
REMARKS

GEARBOX, INTERMEDIATE AND HIGH GEAR WHEEL



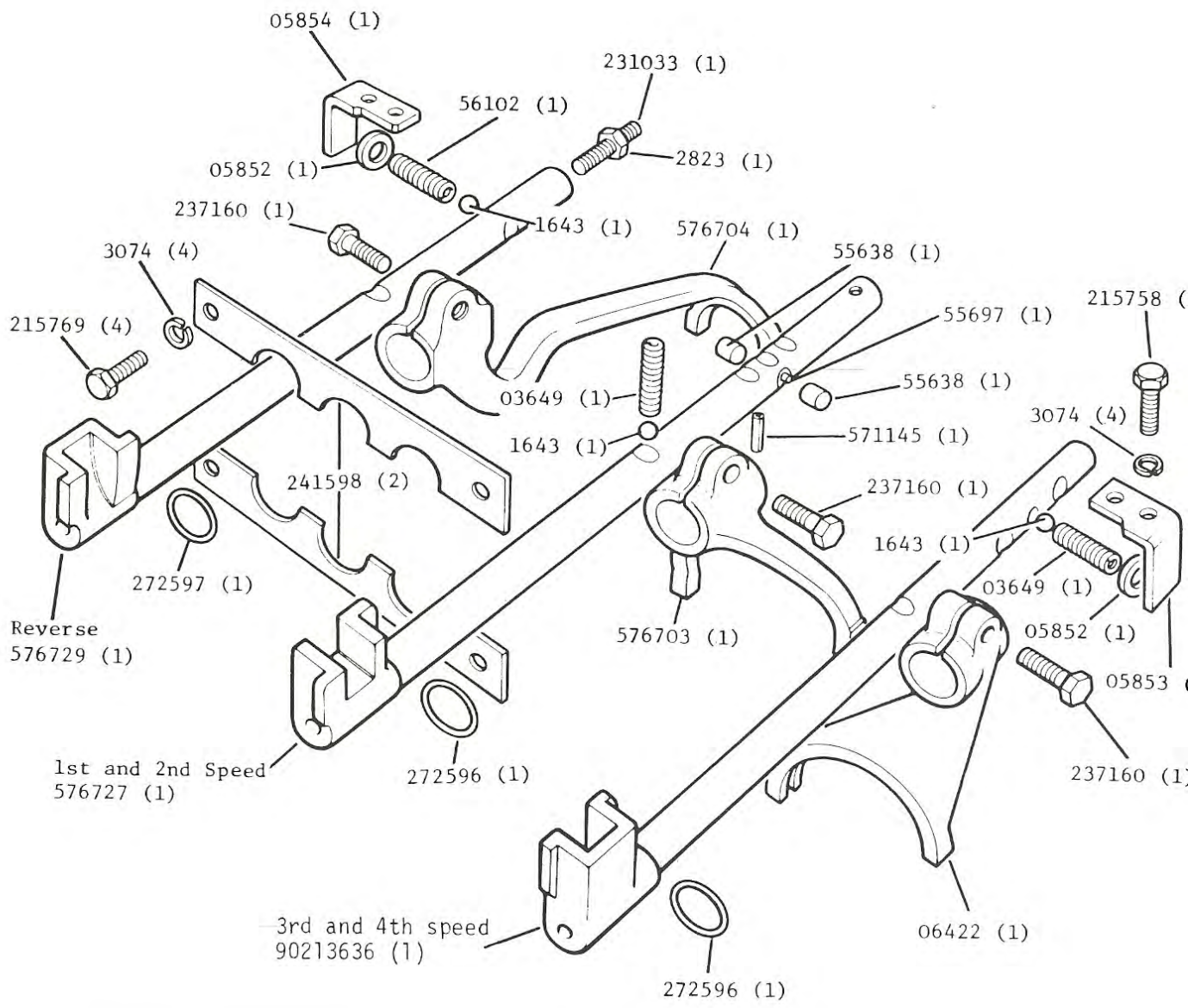
REMARKS

GEARBOX, LOW GEAR WHEEL AND SPEEDOMETER DRIVE

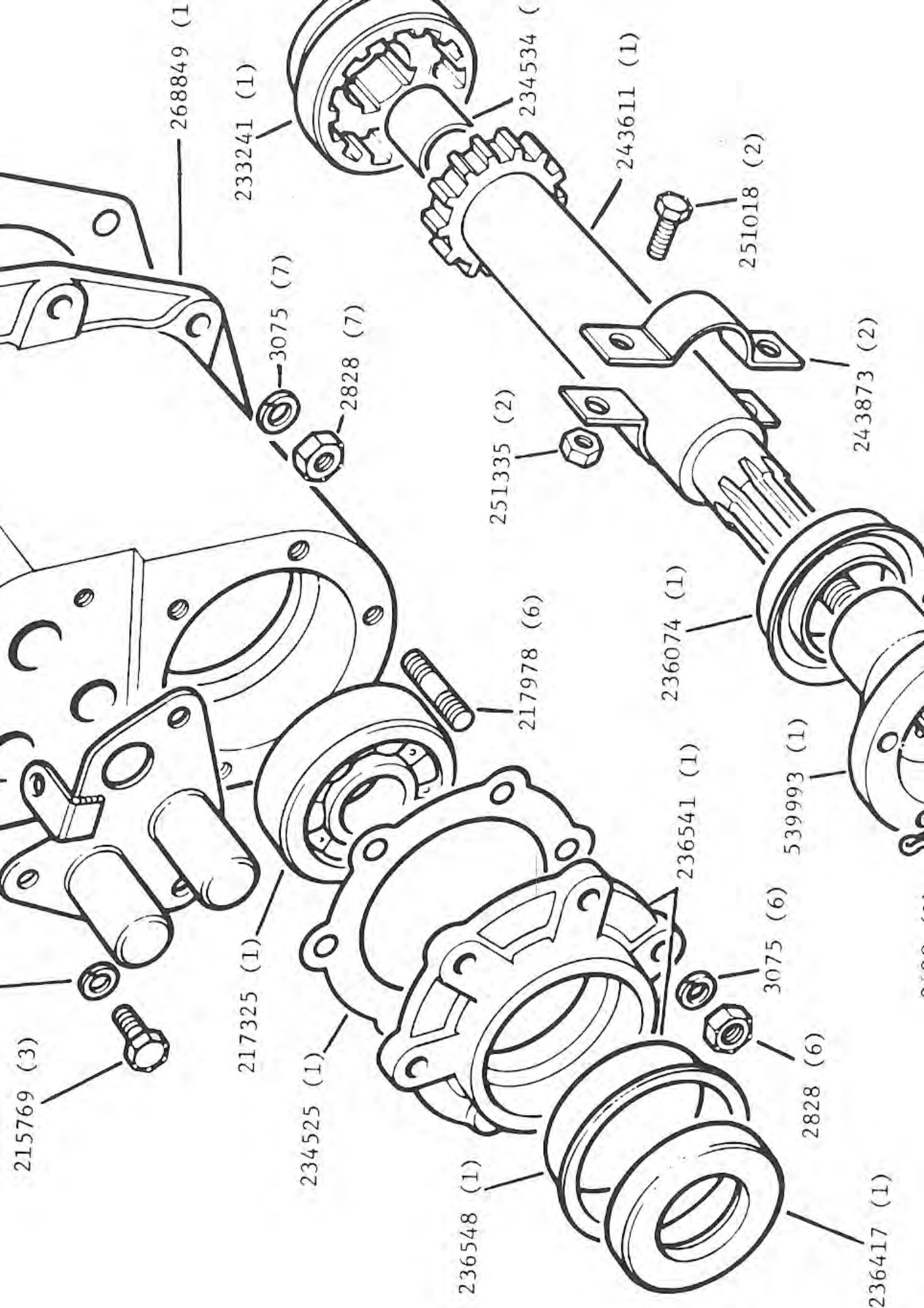


REMARKS

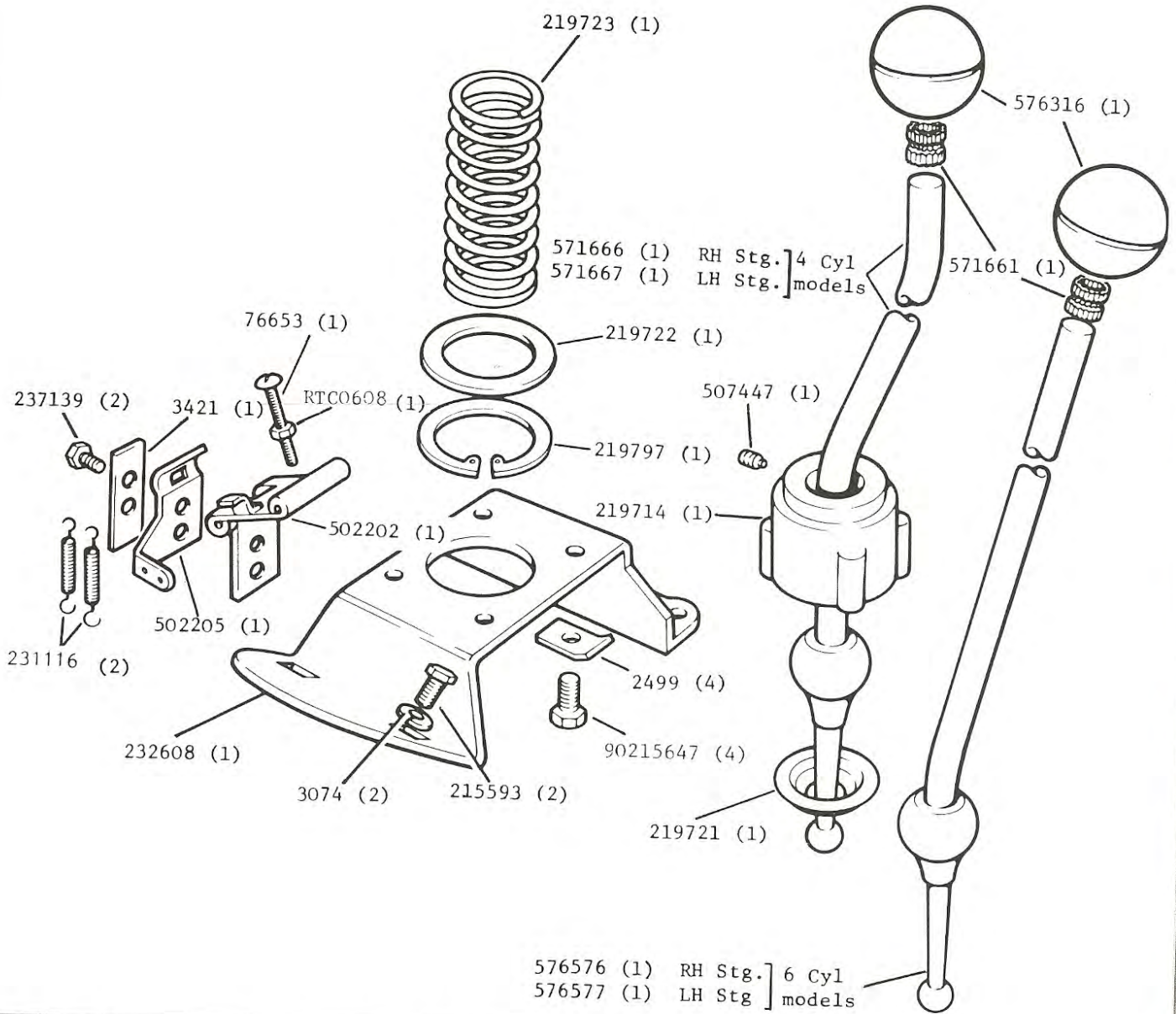
GEARBOX, SELECTORS AND LEVERS



REMARKS



MAIN GEAR LEVER



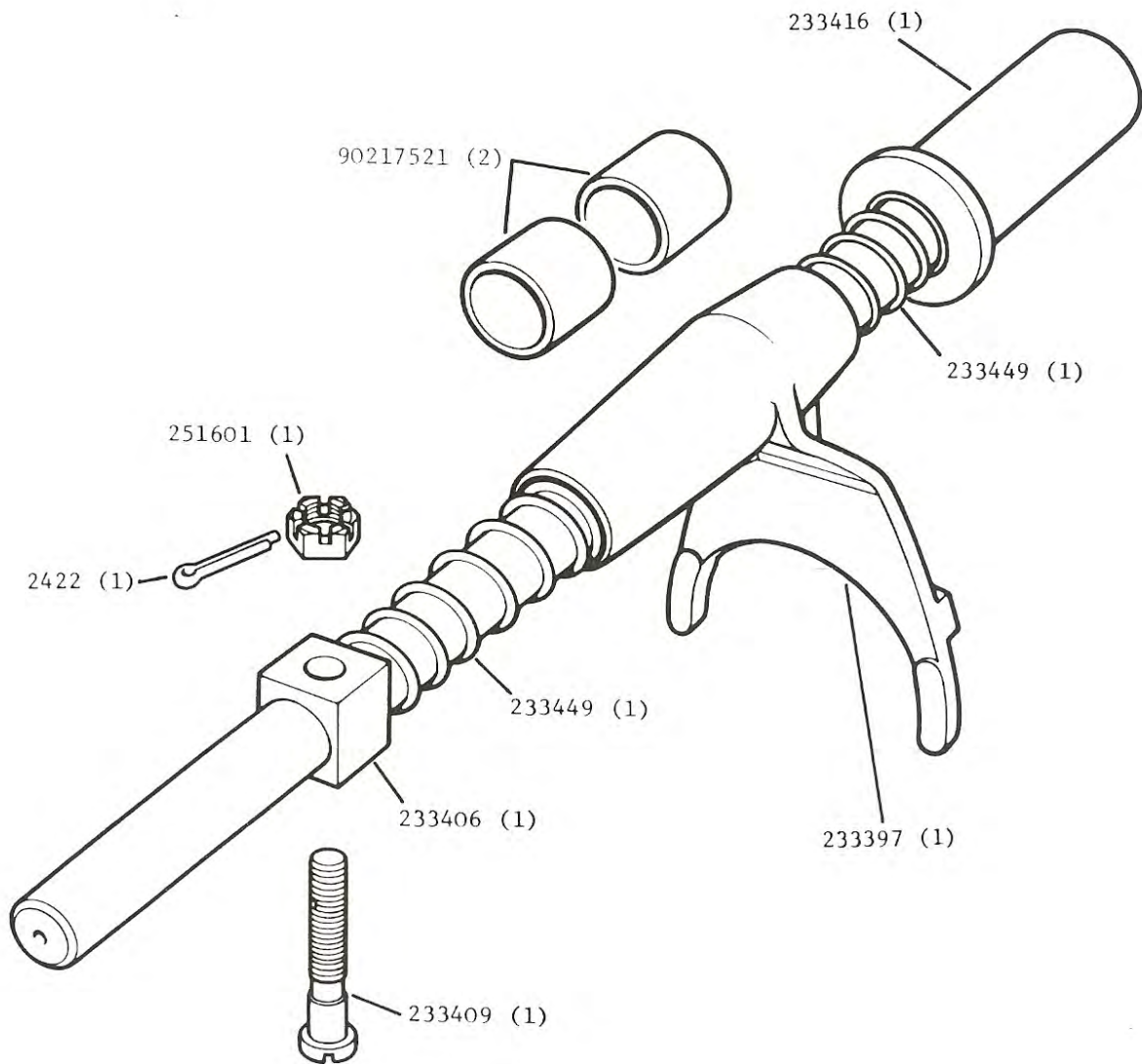
REMARKS

Gear change lever assy's :-

576311 (1) RH Stg. 4 Cyl
 576312 (1) LH Stg. models

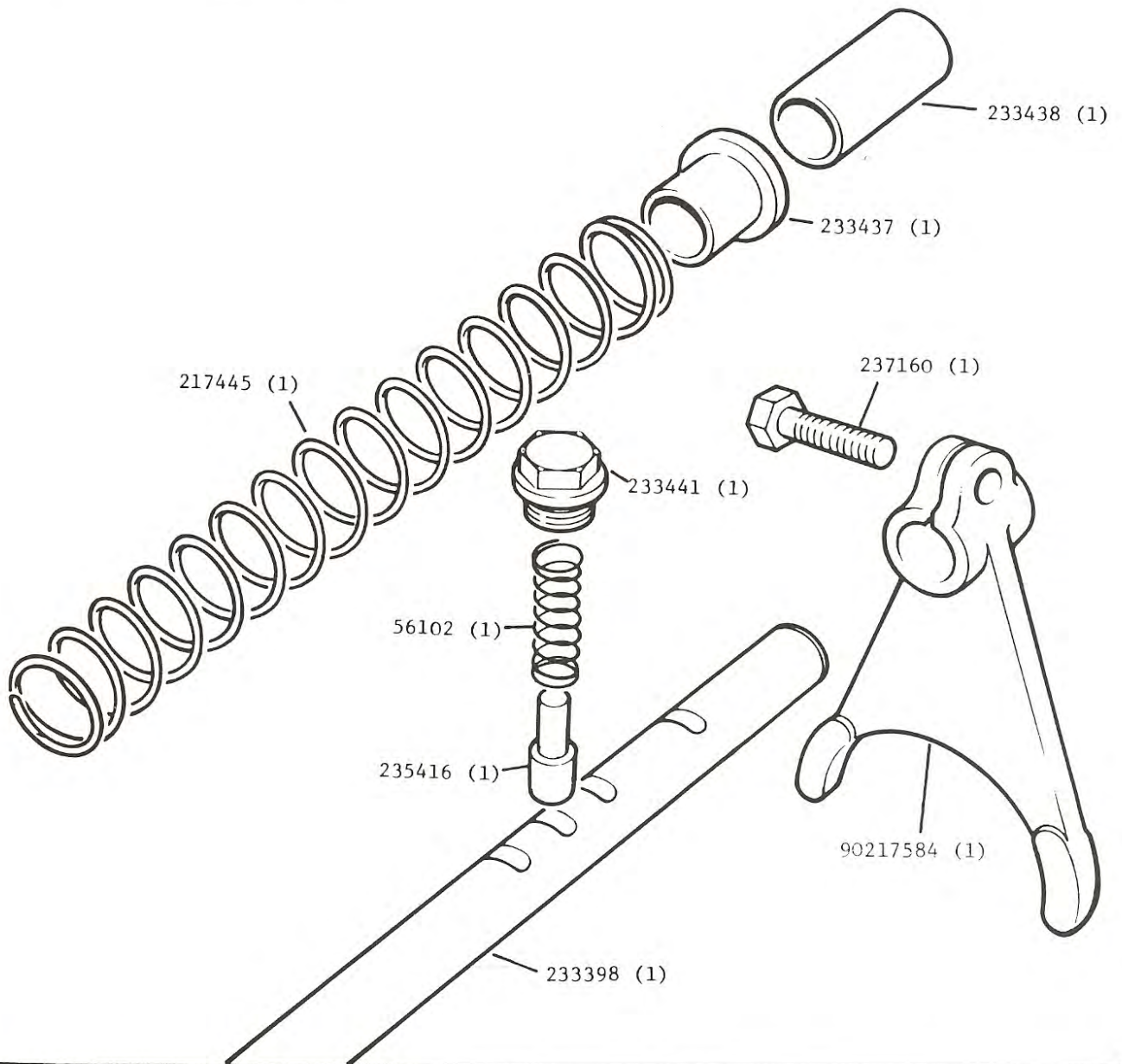
576578 (1) RH Stg 6 Cyl
 576579 (1) LH Stg models

SELECTOR SHAFT, FOUR WHEEL DRIVE



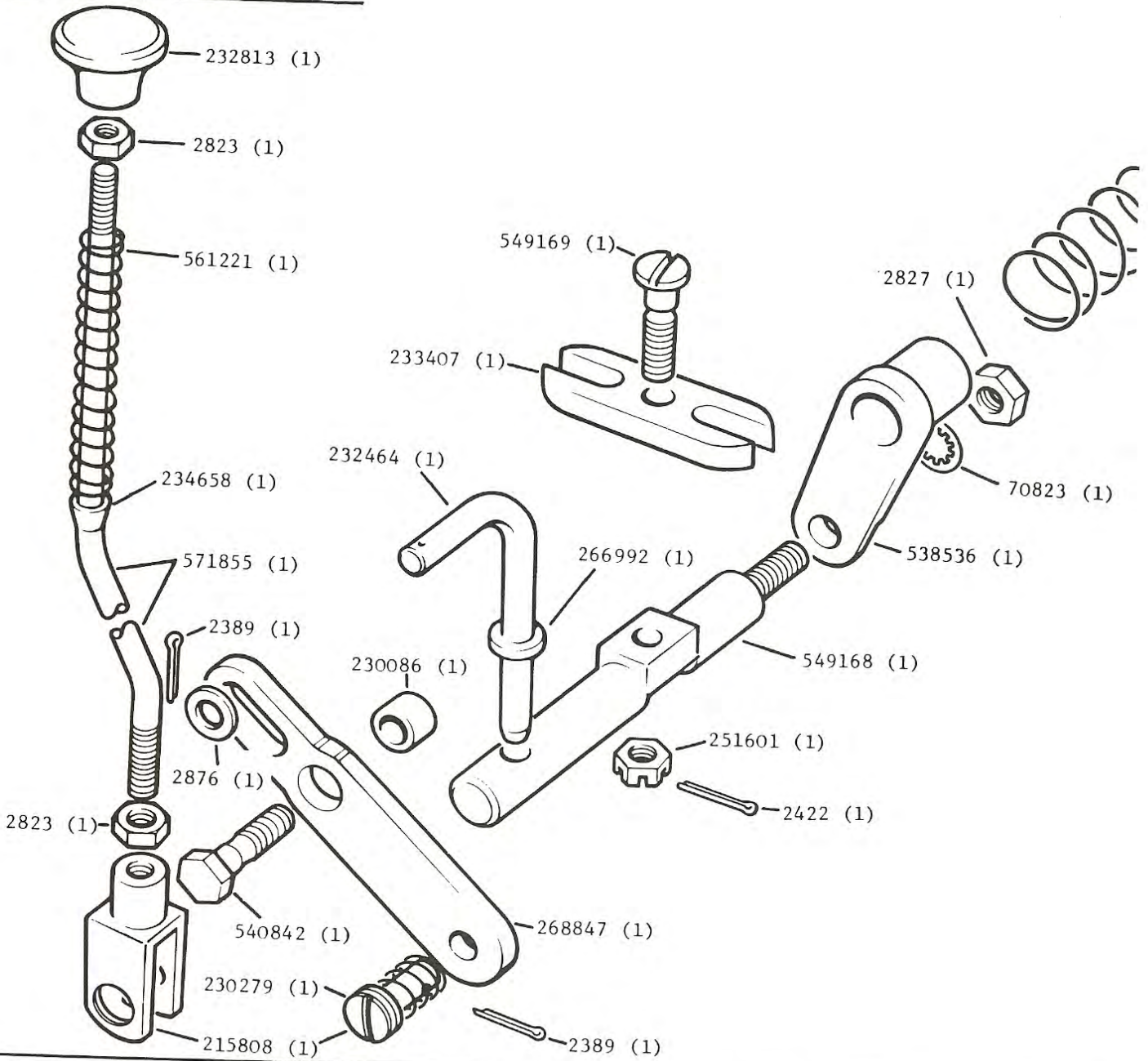
REMARKS

SELECTOR FORK, TRANSFER GEAR LEVER



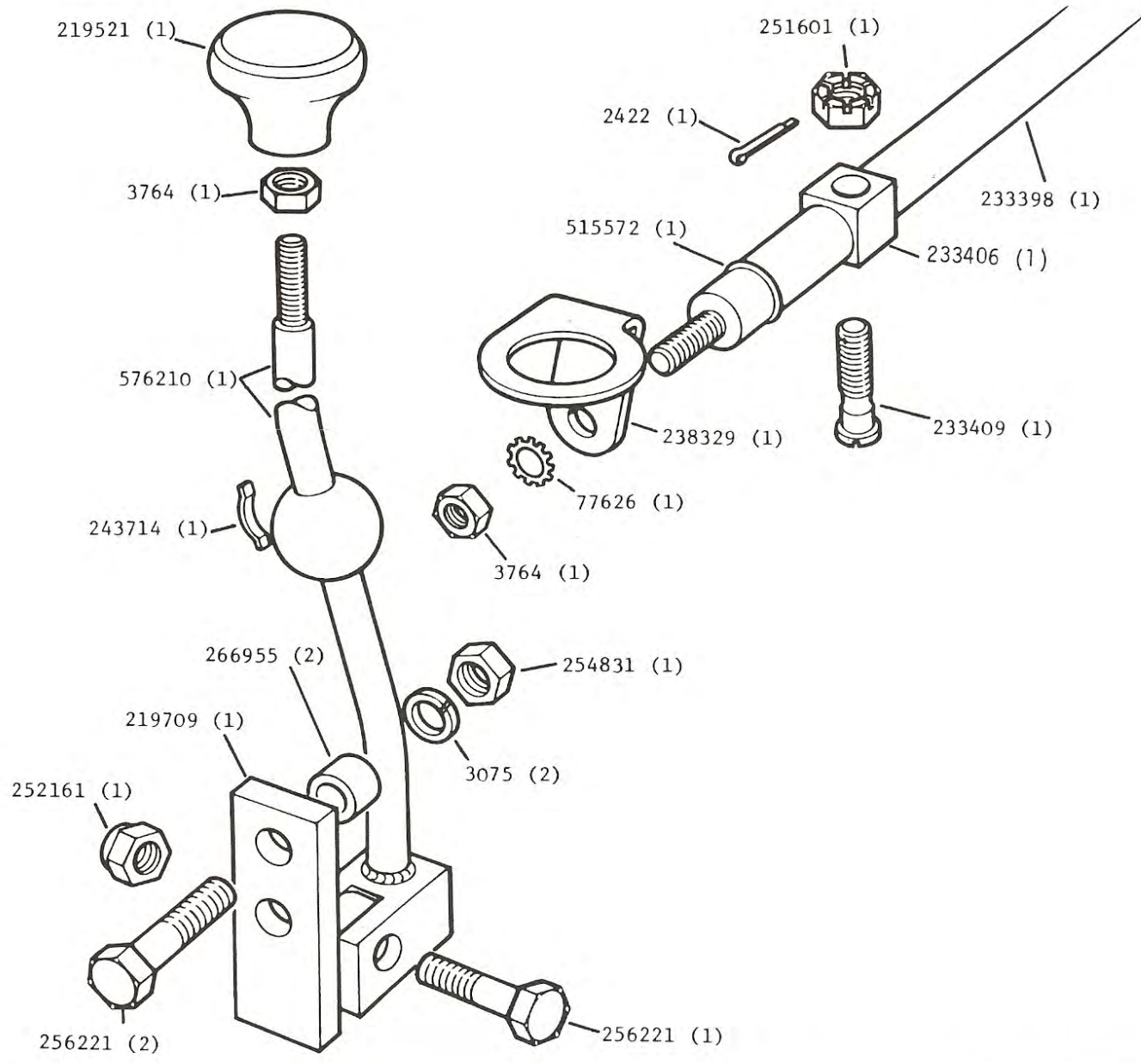
REMARKS

SELECTOR ROD, FOUR WHEEL DRIVE



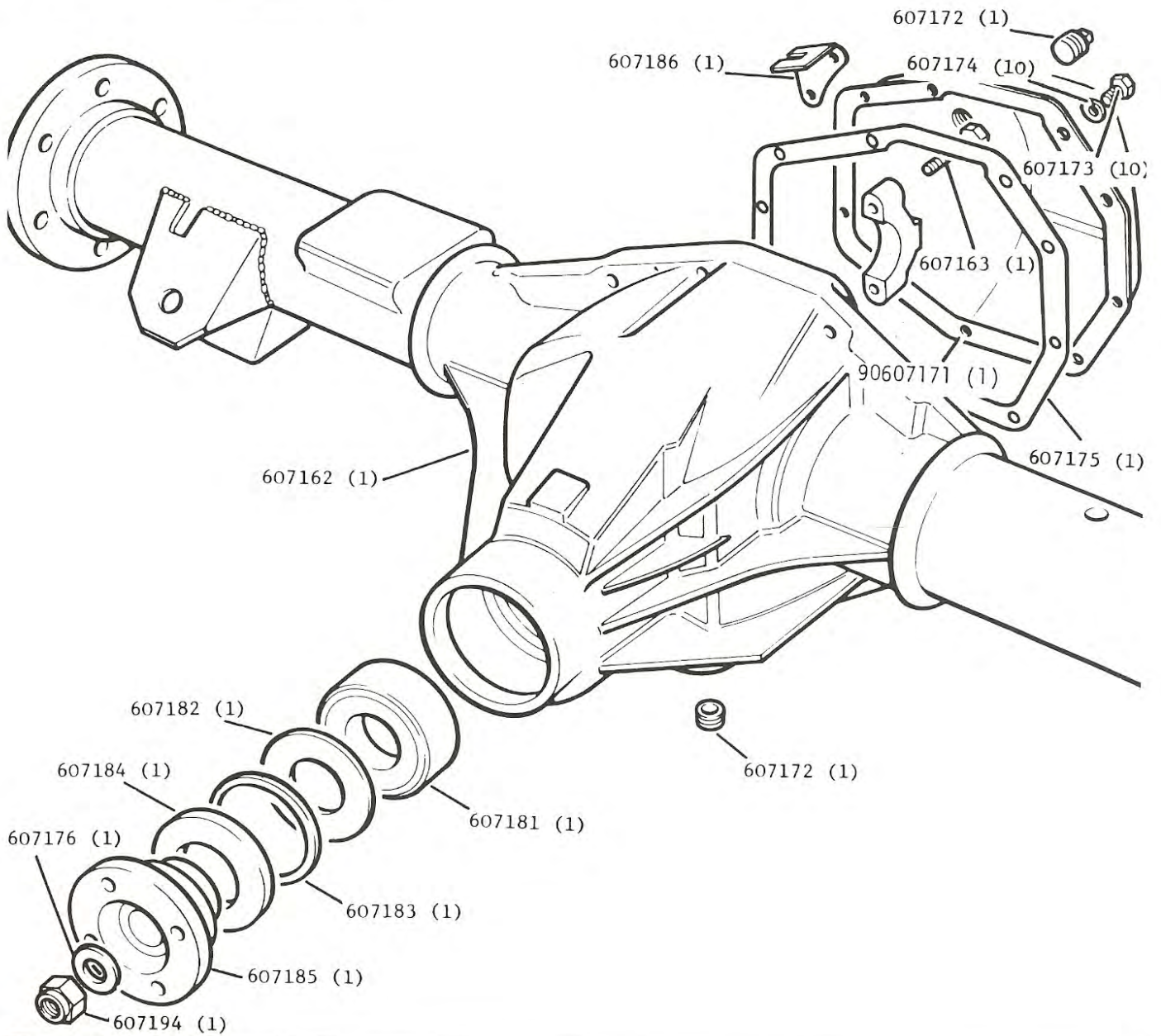
REMARKS

TRANSFER GEAR CHANGE LEVER



REMARKS

AXLE CASING - 109" REAR AXLE

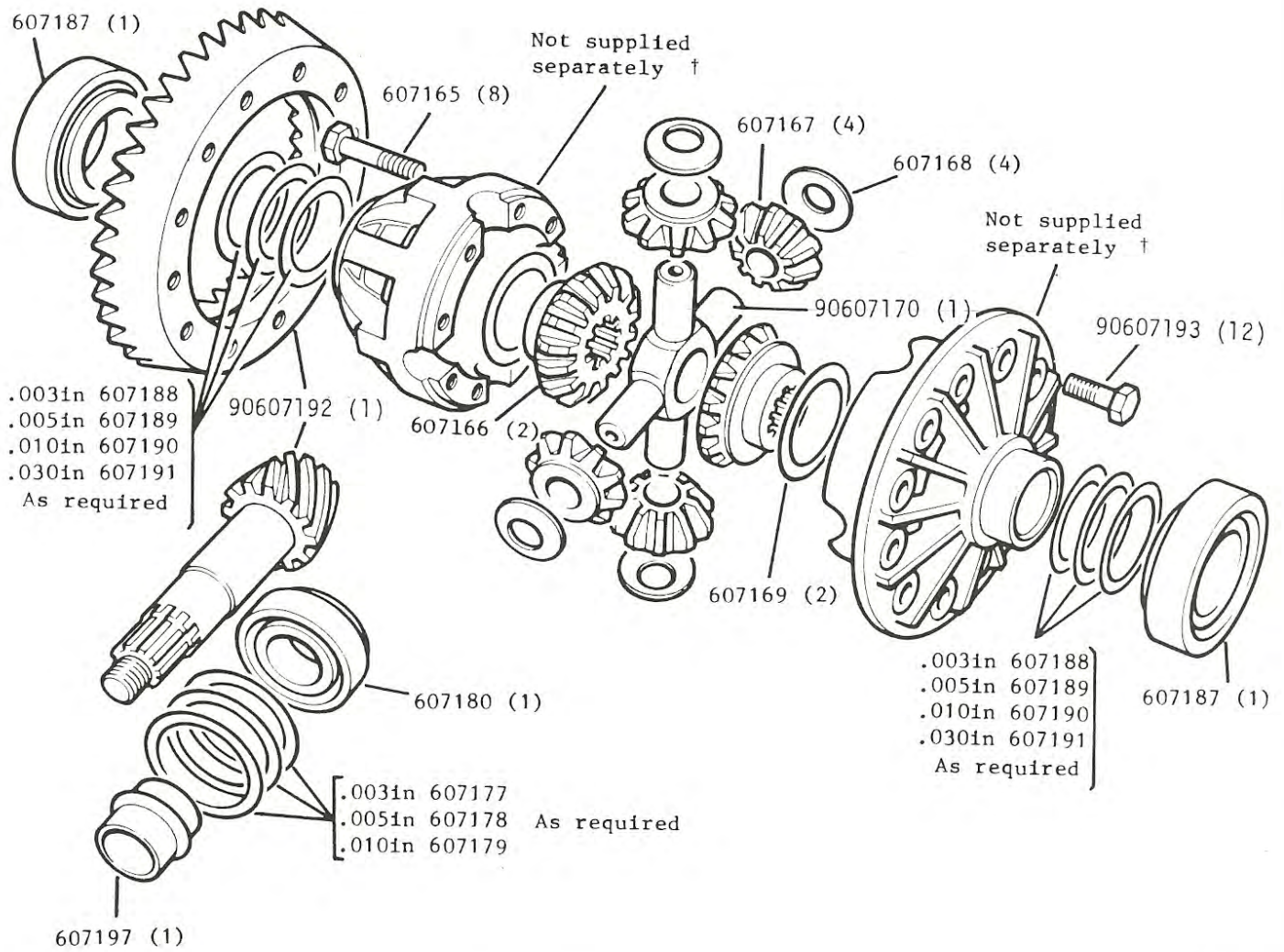


REMARKS

Rear axle assembly 576764 (1)

Rear axle assembly less hubs brake units and axle shafts 607247 (1)

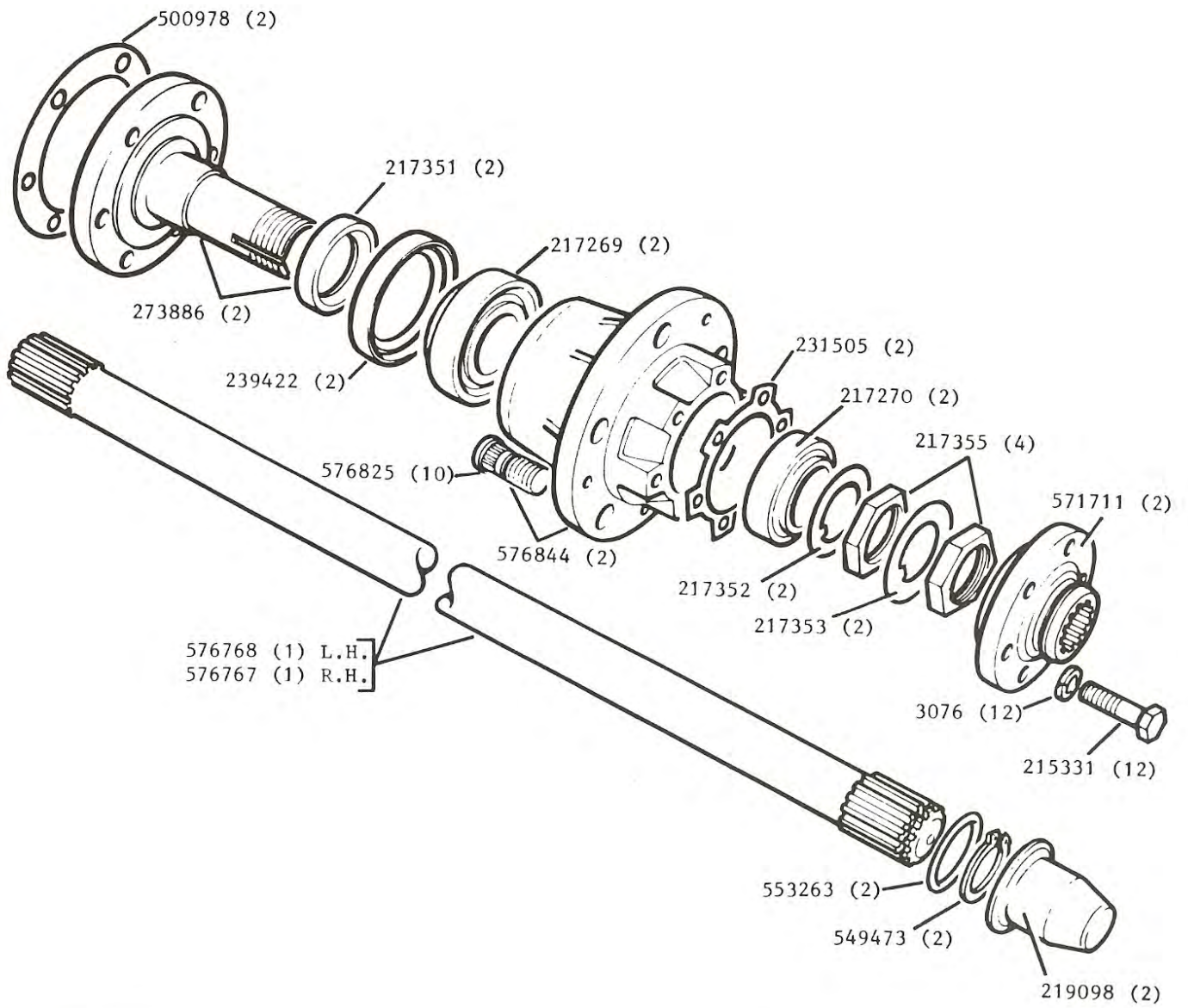
DIFFERENTIAL 109" REAR AXLE



REMARKS

† Differential case less gears 607164 (1)

HUB AND AXLE SHAFT 109 REAR AXLE



REMARKS

Plate Ref.	1	2	3	4	Description	Qty.	Part No.	Remarks
Miscellaneous changes to accommodate the all synchromesh Gearbox fitted to Home Market Series IIA 88 and 109 Station Wagons and the Salisbury rear axle fitted to Series IIA 109 models.								
The above changes were incorporated from vehicle suffix 'H' onwards.								
					Chassis frame	1	598592	88
					Chassis frame	1	599423	109 4-cylinder except Station Wagon
					Chassis frame	1	594683	109 4-cylinder Station Wagon
					Chassis frame	1	594697	109 6-cylinder except Station Wagon
					Chassis frame	1	594698	109 6-cylinder Station Wagon
					Check strap for rear axle	2	592181	
					Brake pipe on axle RH	1	577670	
					Brake pipe on axle LH	1	577671	
					Rear spring bottom plate	2	592179	
					'U' bolt for rear spring	4	592182	
					Self-locking nut (12 mm) for 'U' bolt	8	810502	
					Brake drum, rear	2	576973	
					Clutch assembly	1	576557	
					Clutch plate	1	571712	4-cylinder petrol
					Support plate for clutch jump hose	1	587621	4-cylinder
					Support plate for clutch jump hose	1	587622	6-cylinder
					Clutch slave cylinder	1	591231	
					Push rod for clutch slave cylinder	1	576751	
					Clip fixing push rod to release lever	1	576723	
					Pipe, clutch master cylinder to jump hose bracket	1	592508	4-cylinder. RH Stg
					Pipe, clutch master cylinder to jump hose bracket	1	592509	6-cylinder. RH Stg
					Pipe, clutch master cylinder to jump hose bracket	1	569702	6-cylinder. LH Stg
					Clutch jump hose	1	592515	4-cylinder
					Clutch jump hose	1	592511	6-cylinder
					Pipe, jump hose bracket to clutch slave cylinder	1	592383	4-cylinder
					Pipe, jump hose bracket to clutch slave cylinder	1	592384	6-cylinder
					Adaptor for clutch master cylinder	1	90512650	
					Mounting bracket for clutch jump hose	1	569462	6-cylinder. RH Stg only
					Bleed pipe for clutch slave cylinder	1	594776	
					Adaptor for bleed pipe	1	594822	
					Bracket, clutch slave cylinder bleed pipe	1	593664	
					Bolt (5/16" UNF x 1 $\frac{5}{8}$ " long)	2	256023] Fixing bracket to bell housing
					Spring washer	2	3075	
					Nut (5/16" UNF)	2	254831	
					Bleed screw	1	556508	
					Shakeproof washer	1	70822] Fixing bleed screw to bracket
					Locknut	1	254862	